



10/100 /1000 BASE-T LAN TRANSFORMER

P/N: XTFZ-LC13B1ZA

1/4

Feature

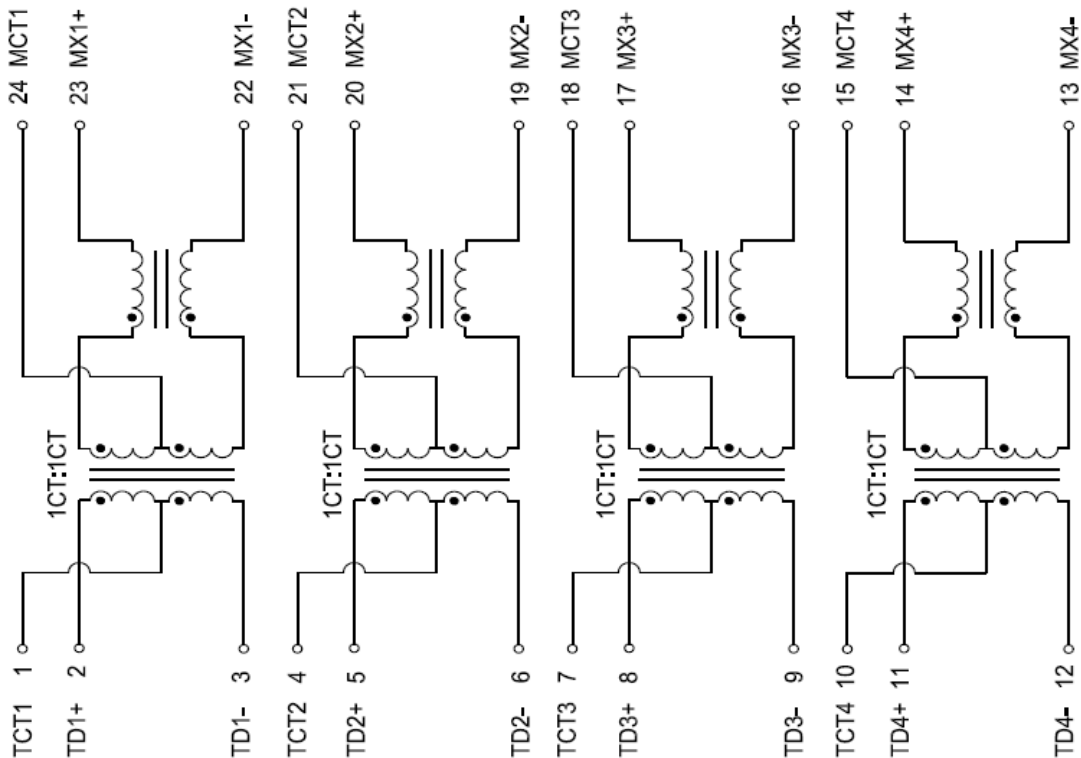
- DCR:1400mΩ Max.
- Leakage Inductance: 0.5uH Max @ 100KHz, 0.1V.
- K21 Surge compliant : @CWG (1.2/50us, 6.0KV Max.).
- RoHs compliant.

Electrical Specifications @ 25°C						
Part Number	Turns Ratio (±5%)		OCL(μH Min) @100KHz/0.1V with 8.0mA DC	Insertion Loss (dB Max)		Cross Talk (dB Min) 1-100MHz
	TX	RX		0.5-1MHz	1-125MHz	
XTFZ-LC13B1ZA	1CT:1CT	1CT:1CT	350	-1.2	-0.2-0.002*f*1.4	-30

Electrical Specifications @ 25°C			
Part Number	Return Loss (dB Min)		DCMR (dB Min) 1-100MHz
	1-40MHz	40.1-100MHz	
XTFZ-LC13B1ZA	-16	-10+20*log (f/80)	-30

* Operating temperature range: 0°C to +85°C. Storage temperature range: -25°C to +85°C.

Schematic



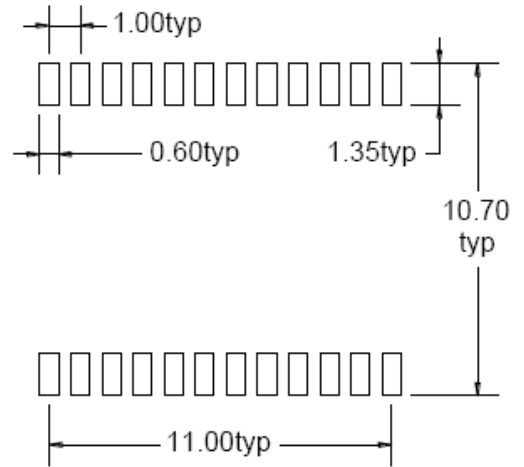
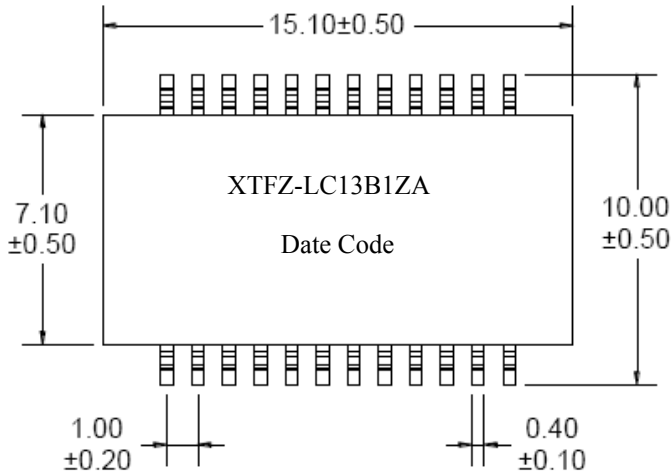


10/100 /1000 BASE-T LAN TRANSFORMER

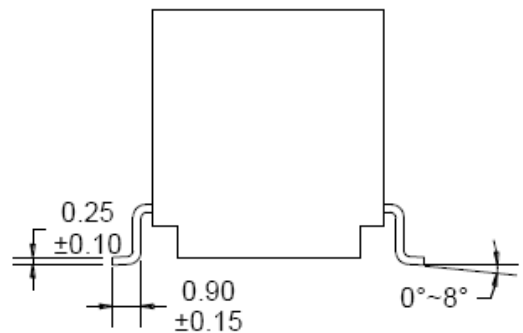
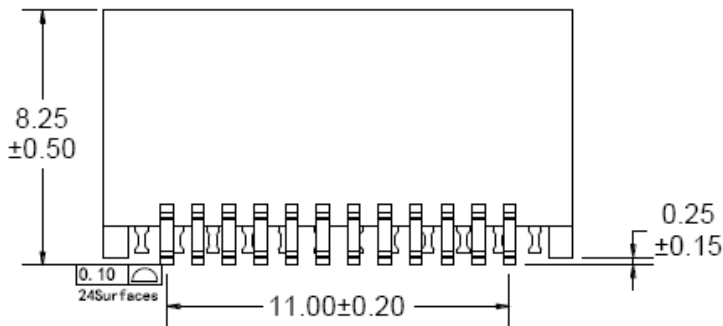
P/N: XTFZ-LC13B1ZA

2/4

Mechanical



Suggested PAD Layout



Units: mm[Inches].

Tolerance: ± 0.25 (0.010) unless specified otherwise



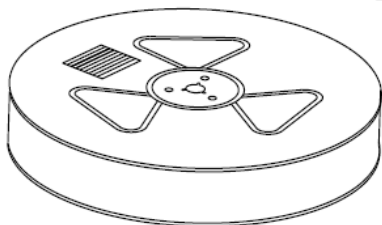
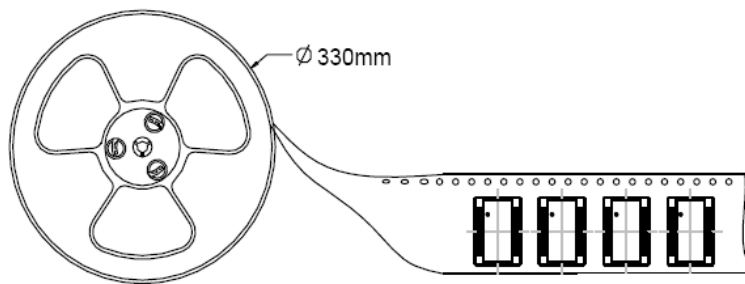
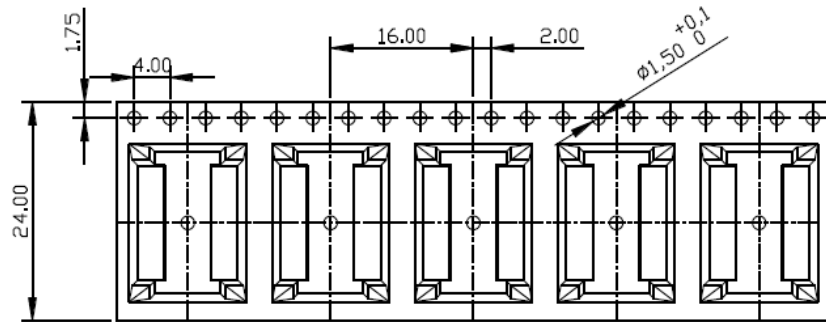
10/100 /1000 BASE-T LAN TRANSFORMER

P/N: XTFZ-LC13B1ZA

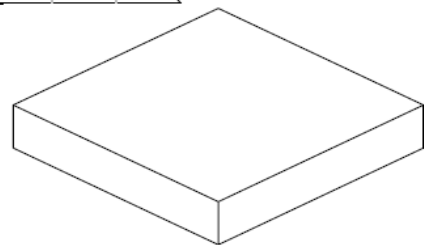
3/4

Page :

Packing



Two Reel



Inner Carton

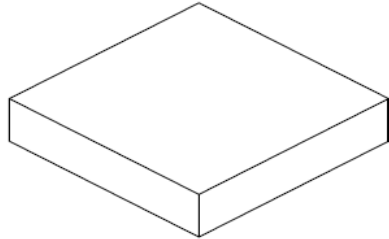


10/100 /1000 BASE-T LAN TRANSFORMER

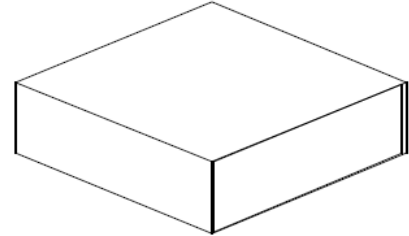
P/N: XTFZ-LC13B1ZA

4/4

Page :



Two Inner Carton



Export Carton

Package Quantity:

One Reel=420Pcs

One Inner Carton=420*2=840Pcs

One Export Carton=840*2=1680Pcs