



# SINGLE PORT 10/100 BASE-T SMD LAN TRANSFORMERS

**P/N: XFTZ-C03A1C03**

Page : 1/2

## Feature

- Leakage Inductance(TD,TX shorted & RD,RX shorted):0.5uH Max @ 100KHz,0.1V.
- DCR(TX&RX):1400mΩ Max.
- RoHS compliant.
- Isolation Hipot(Pri-Sec):1500VAC 1mA 60s

### Electrical Specifications @ 25°C

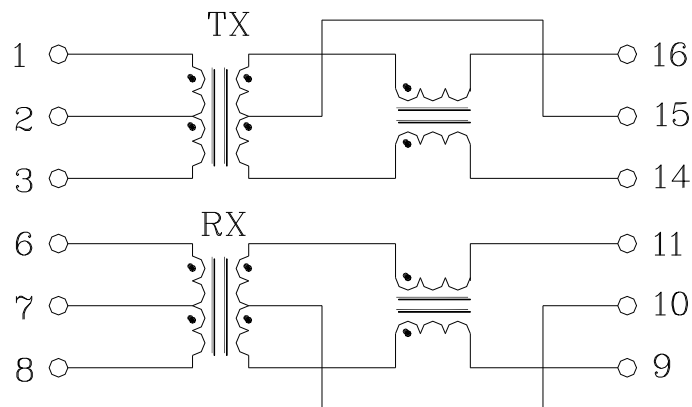
Part Number	Turns Ratio (TD:TX&RD:RX) (+5%)		OCL(TD&RD):(μH Min) @100KHz/0.1V with 8.0mA DC	Insertion Loss (TD to TX&RD to RX) (dB Max) 1-100MHz	HI-POT (Vrms) 1500
	TX	RX			
XTFZ-C03A1C03	1CT:1CT	1CT:1CT	350	-1.0	

### Electrical Specifications @ 25°C

Part Number	Return Loss(TD & RD,TX & RX with 100 ohm load) (dB Min)				Cross Talk(Between each channel) (dB Min) 1-100MHz	DCMR(TD to TX&RD to RX) (dB Min) 1-100MHz
	1-30MHz	40MHz	50MHz	60-80MHz		
XTFZ-C03A1C03	-18	-14.4	13.1	-12	-30	-30

\* Operating temperature range: -40°C to +85°C. Storage temperature range: -40°C to +85°C.

## Schematic





# SINGLE PORT 10/100 BASE-T SMD LAN TRANSFORMERS

P/N: XFTZ-C03A1C03

Page : 2/2

## Mechanical

