



SINGLE PORT SMD ETHERNET 10/100 BASE –TX HIGH SPEED LAN MAGNETICS

P/N: XTFZ-C03A1C01

Page : 1/4

Feature

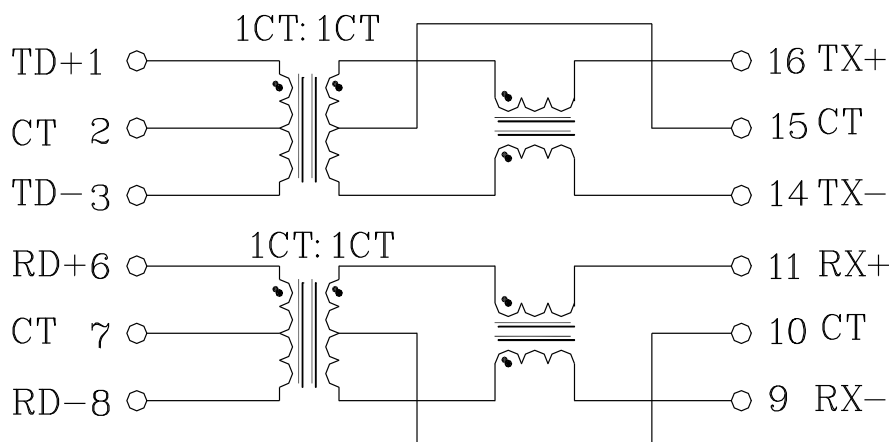
- OCL: 350uH Min @100KHz ,0.1V with 8mA DC BIAS,
- Leakage Inductance: 0.5uH Max @ 100KHz, 0.1V,
- DCR: 1400mΩ Max,
- All materials RoHS and UL94-V0 compliant.

Electrical Specifications @ 25°C				
Part Number	Turns Ratio (±5%) TX/RX	OCL (μH Min) @100KHz/0.1V with 8mA DC Bias	DCMR (dB Min)	HI-POT (Vrms) (1mA 60S)
			1-100MHz	
XTFZ-C03A1C01	1CT:1CT	350	-30	1500

Electrical Specifications @ 25°C						
Part Number	Insertion Loss (dB Max)	Return Loss (dB Min)				Cross talk (dB Min)
		1-100MHz	1-30MHz	40MHz	50MHz	
XTFZ-C03A1C01	-1.1	-18	-14.4	-13.1	-12	-30

* Operating temperature range: -0°C to +70°C..Storage temperature range: -20°C to +125°C.

Schematic



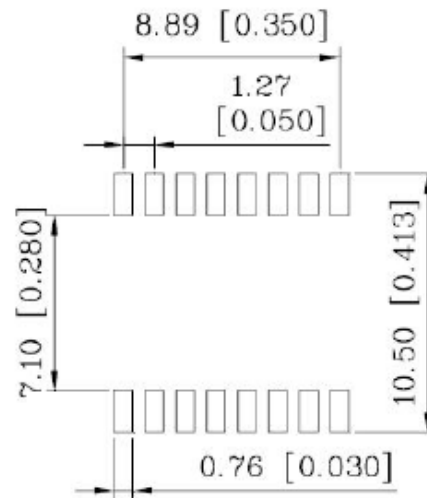
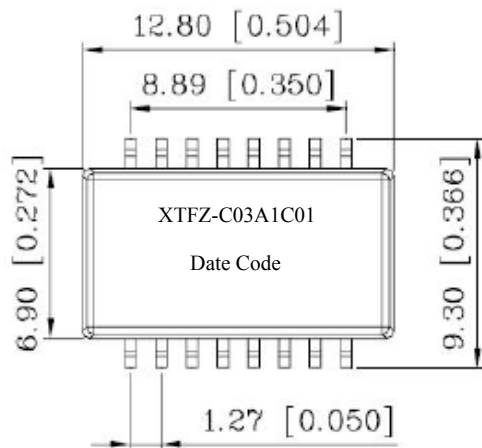


SINGLE PORT SMD ETHERNET 10/100 BASE –TX HIGH SPEED LAN MAGNETICS

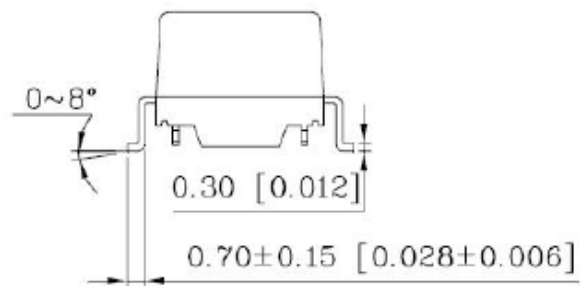
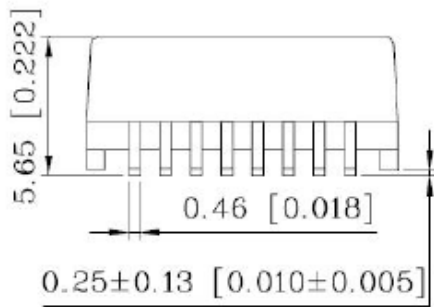
P/N: XTFZ-C03A1C01

Page : 2/4

Mechanical



SUGGESTED PAD LAYOUT



Unit: mm[inches].

Tolerance: $\pm 0.25(0.010)$ unless specified otherwise.

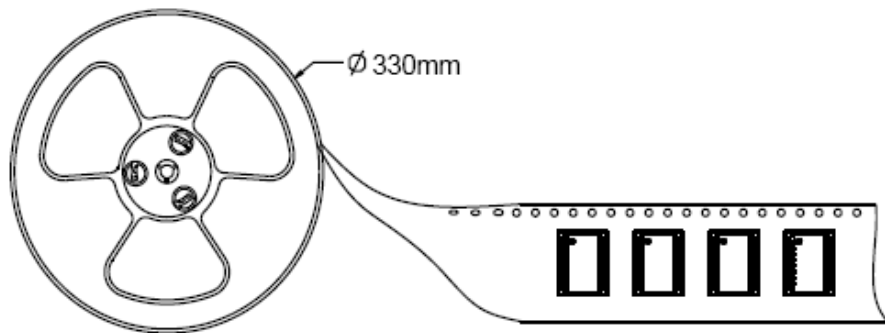
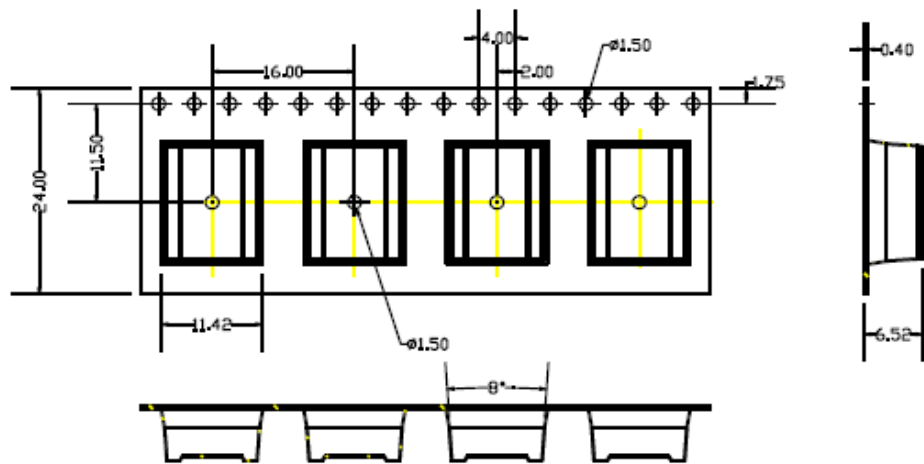


SINGLE PORT SMD ETHERNET 10/100 BASE –TX HIGH SPEED LAN MAGNETICS

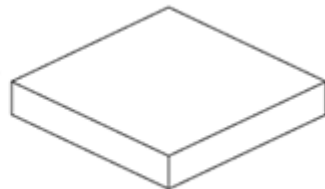
P/N: XTFZ-C03A1C01

Page : 3/4

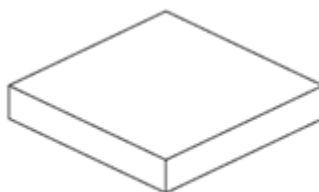
Packing information



three reel



Inner Carton



two Inner Carton



Export Carton

One Reel=600pcs

Xmultiple Technologies Inc.
1919 Williams Street #325, Simi Valley, Ca. 93065
Tel: (805)-579-1100 www.xmultiple.com



**SINGLE PORT SMD ETHERNET 10/100 BASE –TX HIGH SPEED LAN
MAGNETICS**

P/N: XTFZ-C03A1C01

Page : 4/4

One Inner Cantor=600*3=1800pcs

One Export Carton=1800*2=3600pcs