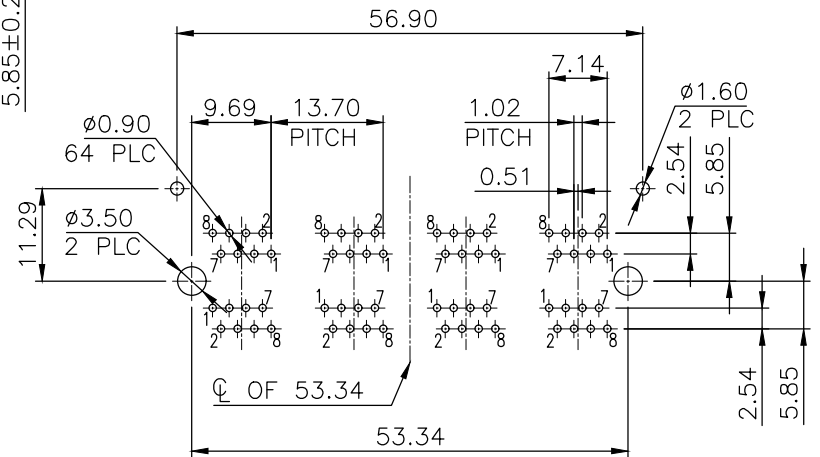
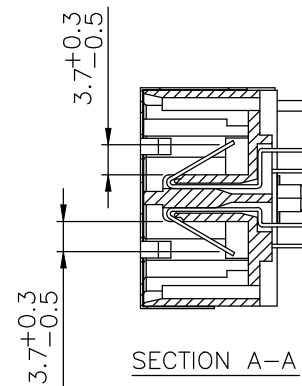
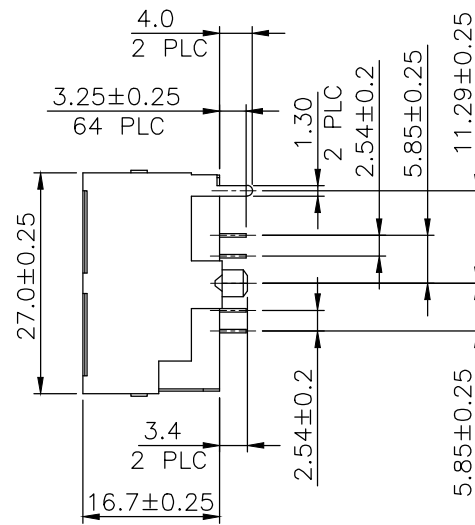
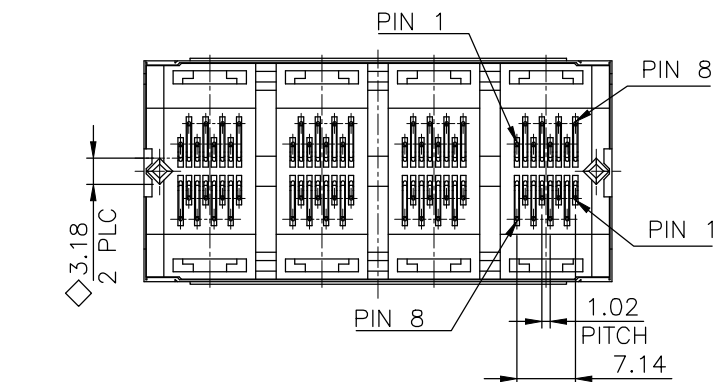
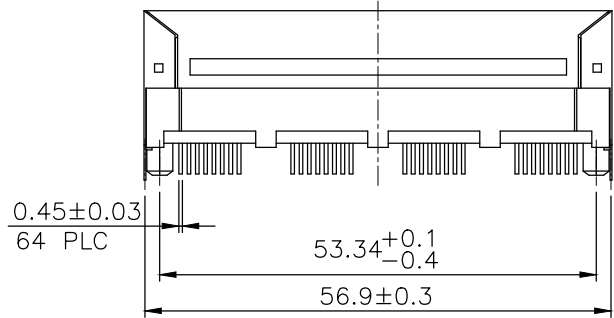
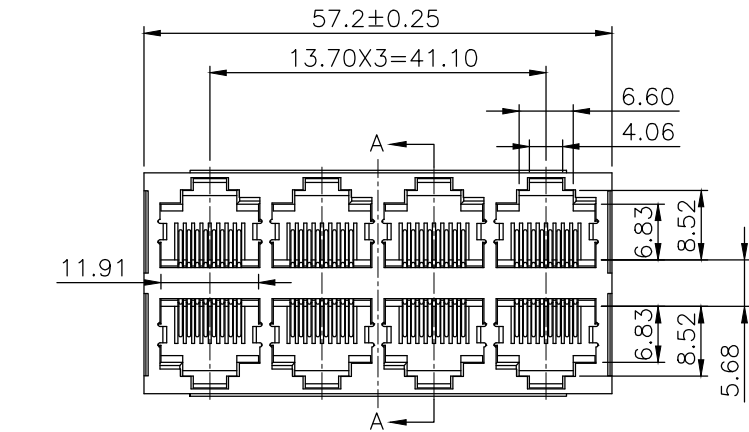


RoHS Compliance

NOTE:

CAVITY CONFIRMS TO FCC RULES AND REGULATIONS PART 68, SUBPART F.

1. MATERIAL:
HOUSING: PBT, WITH GLASS FIBER,
UL 94V-0, STANDARD COLOR-BLACK.
CONTACTS: PHOSPHOR BRONZE.
SHELL: BRASS.
2. FINISH:
CONTACTS: 15U" GOLD PLATED ON ENTIRE CONTACT,
1.27μm [50μ"] MIN. NICKEL UNDERPLATED
ALL OVER.
SHELL: 0.508um [20u"] MIN. NICKEL PLATED.
3. "▽" SHOWS QIP INSPECTION POINT.



RECOMMENDED PCB LAYOUT
RECOMMENDED PCB THICKNESS: 1.6mm
TOLERANCE: ±0.05 (TOP VIEW)

THIS DRAWING IS A CONTROLLED DOCUMENT. DO NOT SCALE DRAWING.	
DIMENSIONS: MM	TOLERANCES UNLESS OTHERWISE SPECIFIED:
	X ± - X.X ± 0.25 X.XX ± 0.13 X.XXX ± 0.05 ANGLES ± -
THIRD ANGLE PROJECTION	
MATERIAL SEE NOTES	FINISH SEE NOTES
DWN <i>T. LI</i>	DATE OCT-04-2018
CHK <i>D. Wang</i>	OCT-04-2018
APVD <i>R. Tsai</i>	OCT-04-2018



TITLE		RJ45, WITH SHELL, TOP ENTRY PCB JACK	
SIZE	DRAWING NO	A3 XRJV-S-24-8-8-0-9V1	
WEIGHT	- GRAMS Ref.	REV	6
		SHEET	1

REVISIONS	DESCRIPTION	DATE	APVD
△ -	-	-	-