

RoHS Compliance

NOTE:

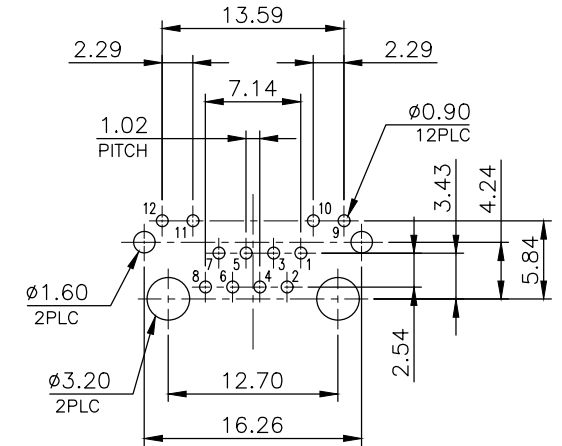
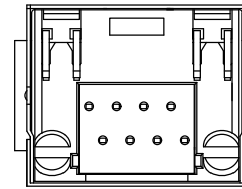
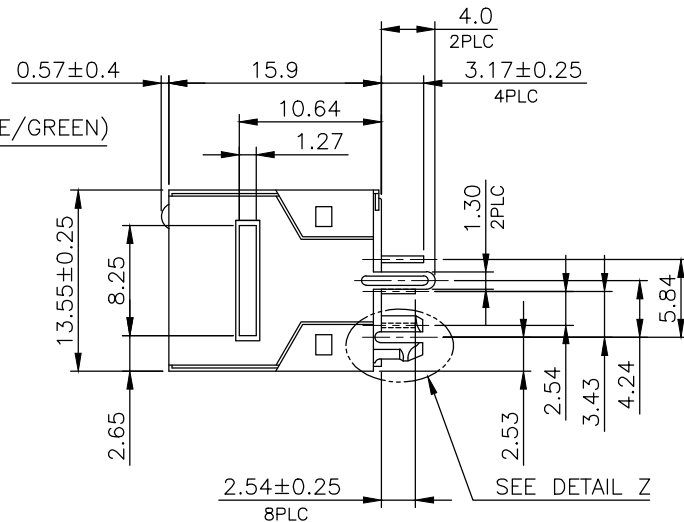
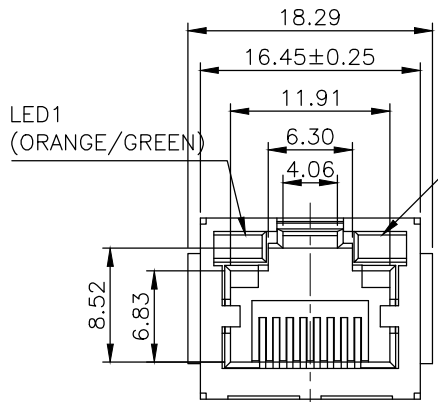
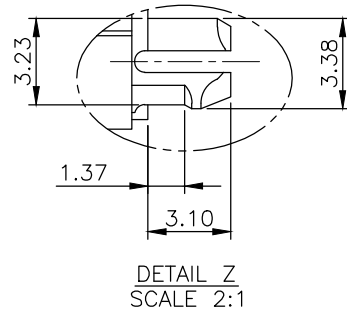
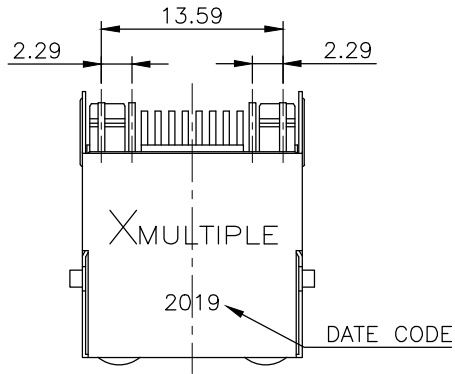
CAVITY CONFORMS TO FCC RULES AND REGULATIONS PART 68, SUBPART F.

1. MATERIAL:

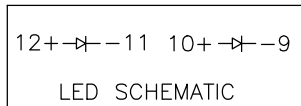
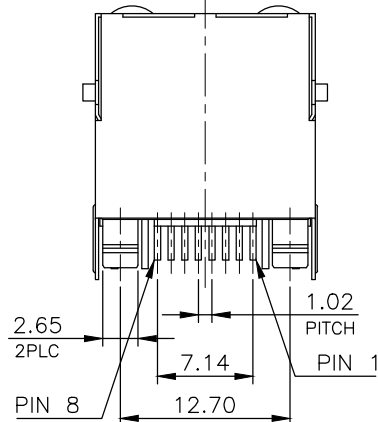
- 1.1 HOUSING: PA46, WITH GLASS FIBER, UL94V-0, STANDARD COLOR-BLACK.
- 1.2 INSERT HOUSING: PA46, WITH GLASS FIBER, UL94V-0, STANDARD COLOR-BLACK.
- 1.3 COVER: PA46, WITH GLASS FIBER, UL94V-0, STANDARD COLOR-BLACK.
- 1.4 CONTACTS: PHOSPHOR BRONZE.
- 1.5 SHELL: BRASS.
- 1.6 ED SOLDER TAIL: STEEL.

2. FINISH:

- 2.1 CONTACTS: 0.981 μ m [15 μ "] GOLD PLATED ON CONTACT AREA, 2.54 μ m [100 μ "] TIN PLATED ON SOLDER TAIL, 1.27 μ m [50 μ "] MIN. NICKEL UNDERPLATED OVERALL.
- 2.2 LED SOLDER TAIL: 2.032 μ m [80 μ "] MIN. TIN PLATED.



RECOMMENDED PCB LAYOUT
RECOMMENDED PCB THICKNESS: 1.6mm
TOLERANCE: ±0.05 (TOP VIEW)



THIS DRAWING IS A CONTROLLED DOCUMENT. DO NOT SCALE DRAWING.	
DIMENSIONS: MM	TOLERANCES UNLESS OTHERWISE SPECIFIED:
	X ± - X.X ± 0.25 X.XX ± 0.13 X.XXX ± 0.05 ANGLES ± -
THIRD ANGLE PROJECTION	
MATERIAL SEE NOTES	FINISH SEE NOTES
DWN <i>T. Li</i>	DATE MAY-08-2020
CHK <i>D. Wang</i>	MAY-08-2020
APVD <i>R. Tsai</i>	MAY-08-2020



TITLE
RJ45, VERTICAL, FLAT PIN,
WITH SHELL, WITH LED'S

LTR	DESCRIPTION	DATE	APVD
REVISIONS			

SIZE A3	DRAWING NO XRJV-S-01-8-8-7
WEIGHT - GRAMS Ref.	REV 1 SHEET 1