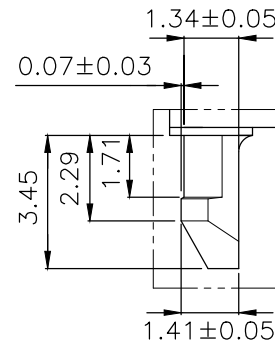
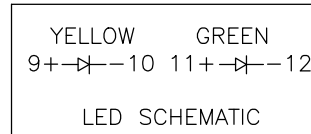
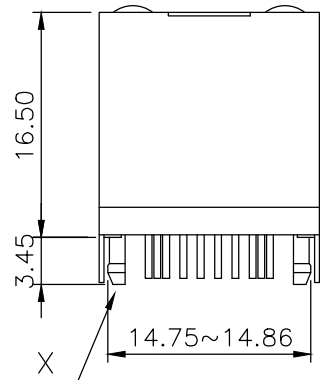
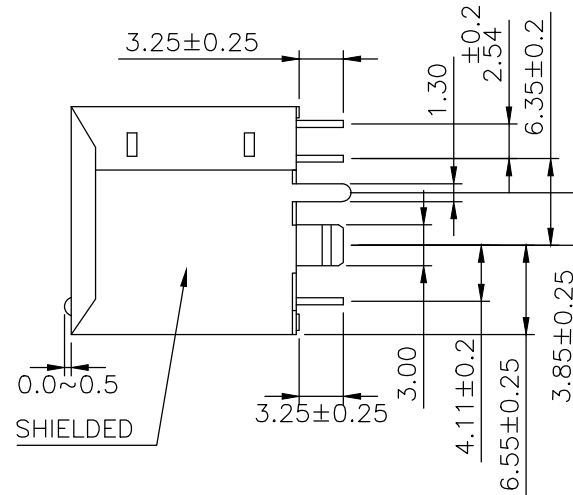
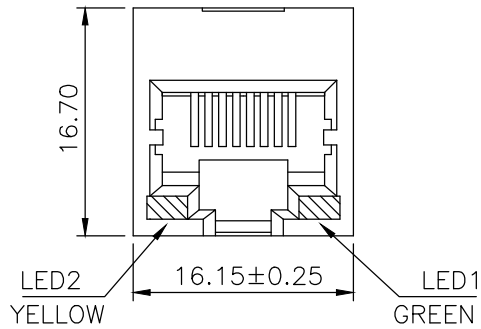


# RoHS Compliance

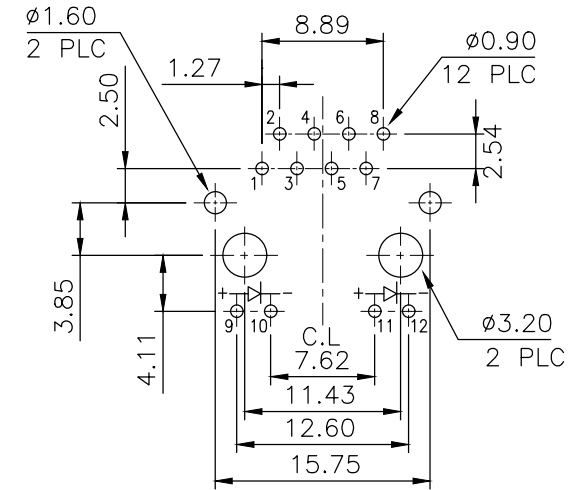
**MATERIAL:**

- HOUSING—PBT POLYESTER UL94V-0 MIXED GLASS FIBER. STANDARD COLOR—BLACK
- CONTACTS—0.35mm THICK PHOS-BRONZE PLATED 6U" WITH HARD GOLD AND GOLD FLASH ON SOLDER AREA.
- SHIELD—0.25mm THICK COPPER ALLOY, PLATED WITH NICKEL.

CAVITY CONFIRMS TO FCC RULES AND REGULATIONS PART 68, SUBPART F.



**DETAIL X**



**PCB Layout**

Ref.

THIS DRAWING IS A CONTROLLED DOCUMENT.  
DO NOT SCALE DRAWING.

DIMENSIONS: MM TOLERANCES UNLESS OTHERWISE SPECIFIED:

THIRD ANGLE PROJECTION MATERIAL: SEE NOTES FINISH: SEE NOTES

DWN T. LI DATE OCT-04-2018  
CHK D. Wang OCT-04-2018  
APVD R. Tsai OCT-04-2018



TITLE RJ45, WITH LED'S, SHIELDED FLAT PIN, TOP ENTRY PCB JACK

SIZE A3 DRAWING NO XRJV-S-01-8-8-4-904  
WEIGHT - GRAMS Ref. REV 1 SHEET 1

REVISIONS	DESCRIPTION	DATE	APVD
△ -			