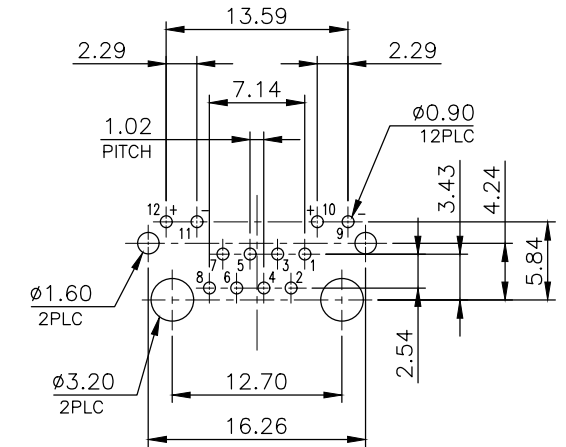
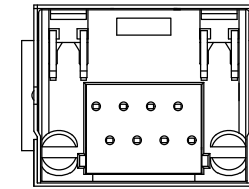
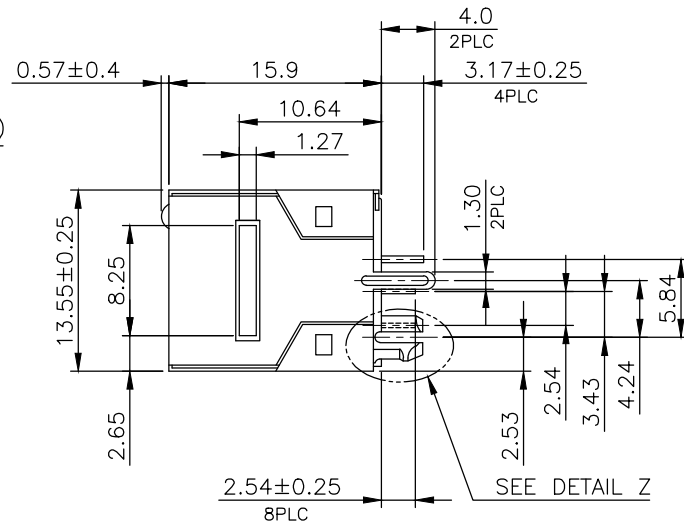
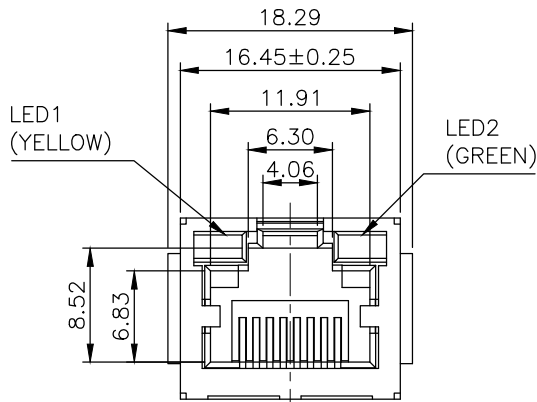
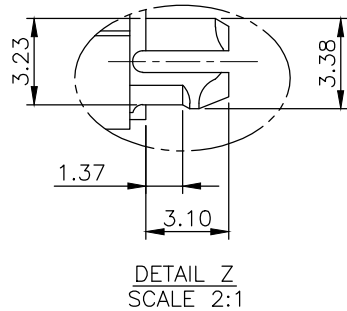
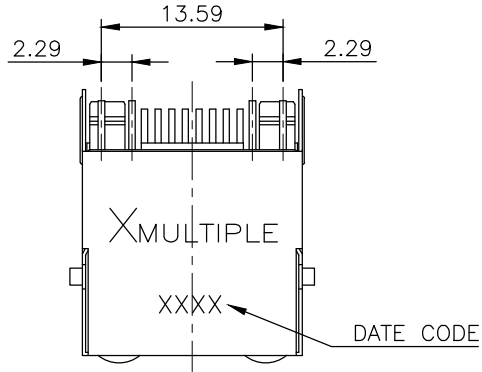
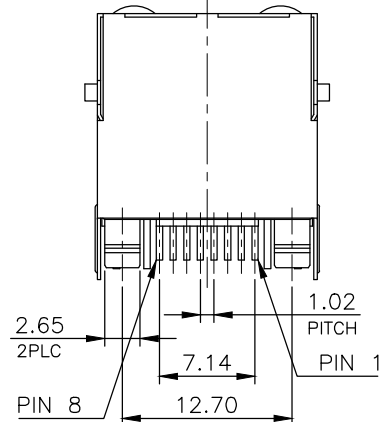
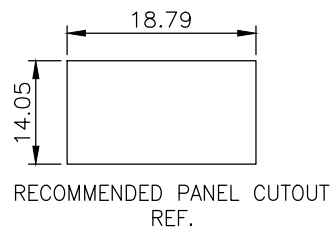


# RoHS Compliance

12+---11 10+---9  
LED SCHEMATIC



RECOMMENDED PCB LAYOUT  
RECOMMENDED PCB THICKNESS: 1.6mm  
TOLERANCE: ±0.05 (TOP VIEW)



NOTE:

CAVITY CONFORMS TO FCC RULES AND REGULATIONS PART 68, SUBPART F.

1. MATERIAL:

- 1.1 HOUSING: PA46, WITH GLASS FIBER, UL94V-0, STANDARD COLOR-BLACK.
- 1.2 INSERT HOUSING: PA46, WITH GLASS FIBER, UL94V-0, STANDARD COLOR-BLACK.
- 1.3 COVER: PA46, WITH GLASS FIBER, UL94V-0, STANDARD COLOR-BLACK.
- 1.4 CONTACTS: PHOSPHOR BRONZE.
- 1.5 SHELL: BRASS.
- 1.6 ED SOLDER TAIL: STEEL.

2. FINISH:

- 2.1 CONTACTS: 0.381µm [15µ"] GOLD PLATED ON CONTACT AREA, 2.54µm [100µ"] TIN PLATED ON SOLDER TAIL, 1.27µm [50µ"] MIN. NICKEL UNDERPLATED OVERALL.
- 2.2 LED SOLDER TAIL: 2.032µm [80µ"] MIN. TIN PLATED.

THIS DRAWING IS A CONTROLLED DOCUMENT.  
DO NOT SCALE DRAWING.

DIMENSIONS: MM TOLERANCES UNLESS OTHERWISE SPECIFIED:

THIRD ANGLE PROJECTION MATERIAL SEE NOTES FINISH SEE NOTES

DWN T. LI DATE APR-26-2017  
CHK D. Wang APR-26-2017  
APVD R. Tsai APR-26-2017



TITLE RJ45, VERTICAL, FLAT PIN, WITH SHELL, WITH LED'S

SIZE A3 DRAWING NO XRJV-S-01-8-8-1  
WEIGHT - GRAMS Ref. REV 1 SHEET 1

| LTR       | DESCRIPTION | DATE | APVD |
|-----------|-------------|------|------|
| REVISIONS |             |      |      |