

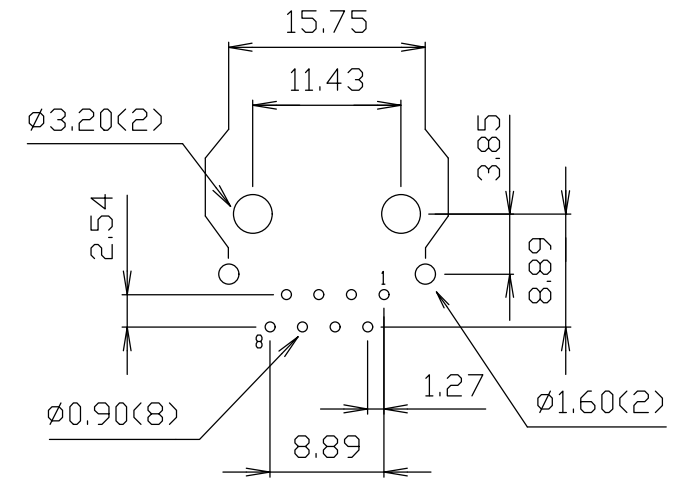
RoHS Compliance

MATERIAL:

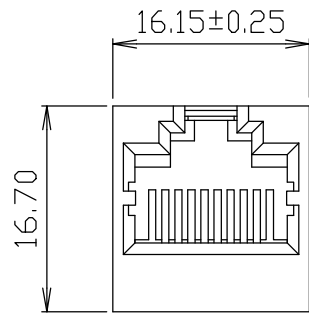
- HOUSING-DSM STANYL TE250F6 (NYLON-46)
HEAT DEFLECTION TEMP.290°
BLACK COLOR, UL94V-0
- CONTACTS-0.35mm THICK PHOS-BRONZE
PLATED WITH 6U"HARD GOLD AND
GOLD FLASH IN SOLDER AREA.
- SHIELD-0.25mm THICK COPPER ALLOY,
PLATED WITH NICKEL.

CAVITY CONFIRMS TO FCC RULES AND REGULATIONS
PART 68,SUBPART F.

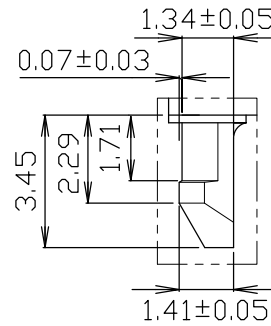
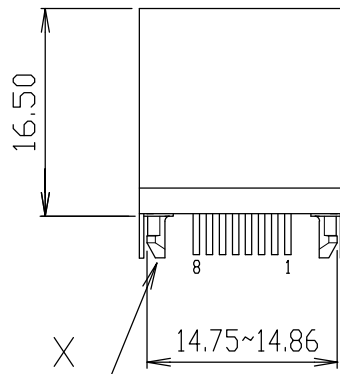
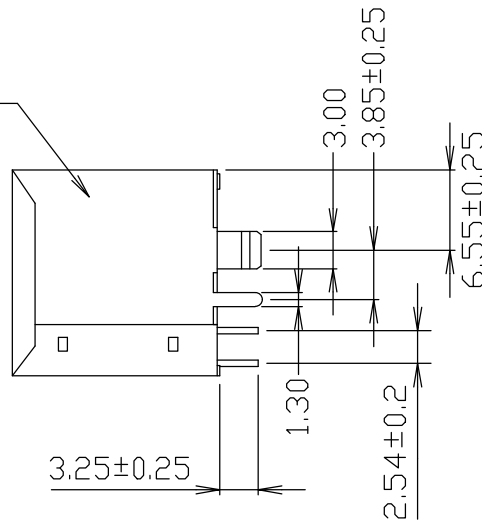
The LFG as High Temp



PC Board Layout
Ref.



SHIELDED



DETAIL X

THIS DRAWING IS A CONTROLLED DOCUMENT.
DO NOT SCALE DRAWING.

DIMENSIONS: MM	TOLERANCES UNLESS OTHERWISE SPECIFIED:
	X ± -
	X.X ± 0.25
	X.XX ± 0.13
	X.XXX ± 0.05
	ANGLES ± -



TITLE
8POSITION FLAT PIN SHIELDED
TOP ENTRY PCB JACK

REVISIONS	DESCRIPTION	DATE	APVD
△ -			
LTR			

MATERIAL	FINISH
SEE NOTES	SEE NOTES
DWN	DATE
T. LI	OCT-04-2018
CHK	
D. Wang	OCT-04-2018
APVD	
R. Tsai	OCT-04-2018

SIZE	DRAWING NO	
A3	XRJV-S-01-8-8-0-9J1	
WEIGHT	REV	SHEET
- GRAMS Ref.	8	1