

RoHS Compliance

NOTE:

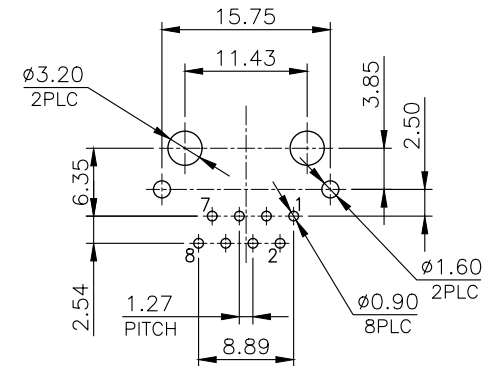
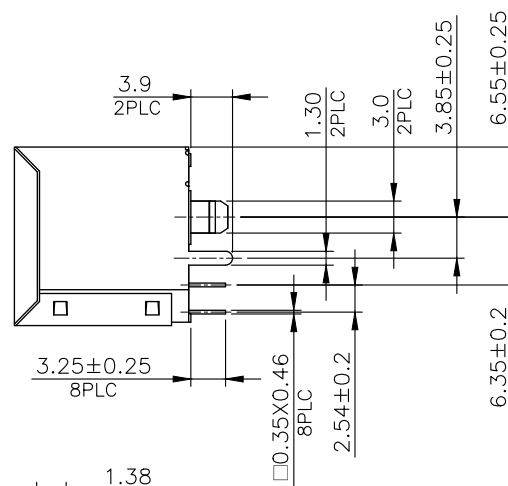
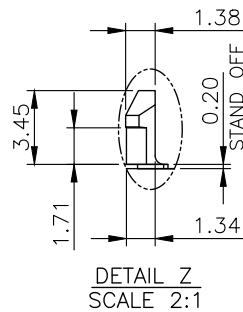
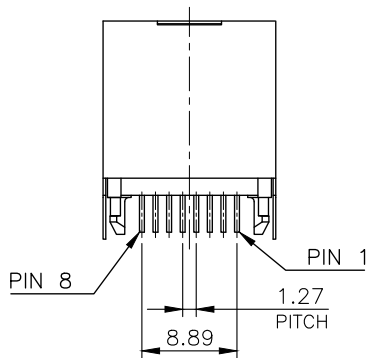
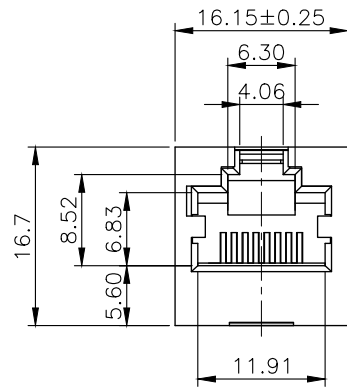
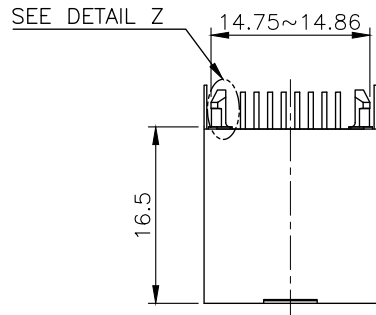
CAVITY CONFIRMS TO FCC RULES AND REGULATIONS PART 68, SUBPART F.

1. MATERIAL:

- 1.1 HOUSING: PBT , WITH GLASS FIBER, UL94V-0, STANDARD COLOR-BLACK.
- 1.2 INSERT HOUSING: PA46, WITH GLASS FIBER, UL94V-0, STANDARD COLOR-BLACK.
- 1.3 CONTACTS: PHOSPHOR BRONZE.
- 1.4 SHELL: BRASS.

2. FINISH:

- 2.1 CONTACTS: 0.152μm [6μ"]GOLD PLATED ON CONTACT AREA, GOLD FLASH ON SOLDER TAIL, 1.27μm [50μ"] MIN. NICKEL UNDERPLATED OVERALL.
- 2.2 SHELL: 0.508μm [20μ"] MIN. NICKEL PLATED.



RECOMMENDED PCB LAYOUT
PCB THICKNESS: 1.6mm
TOLERANCE: ±0.05mm (TOP VIEW)

THIS DRAWING IS A CONTROLLED DOCUMENT.
DO NOT SCALE DRAWING.

DIMENSIONS: MM
TOLERANCES UNLESS OTHERWISE SPECIFIED:

0 PLC ± -
1 PLC ± 0.25
2 PLC ± 0.13
3 PLC ± 0.05
ANGLES ± -

THIRD ANGLE PROJECTION
MATERIAL SEE NOTES
FINISH SEE NOTES



www.xmultiple.com

TITLE RJ45, WITH SHELL, FLAT PIN, TOP ENTRY PCB JACK

REVISIONS	DESCRIPTION	DATE	APVD

DWN	T. LI	DATE	MAY-28-2014
CHK	D. Wang		MAY-28-2014
APVD	R. Tsai		MAY-29-2014

SIZE	DRAWING NO	WEIGHT	REV	SHEET
A3	XRJV-S-01-8-8-0-902	- GRAMS Ref.	6	1