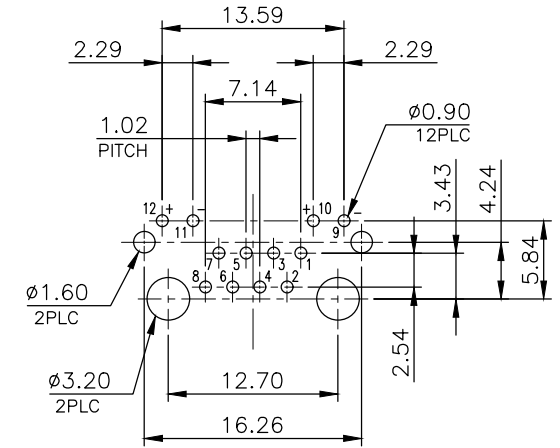
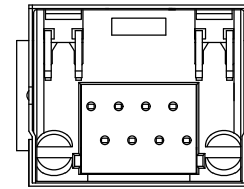
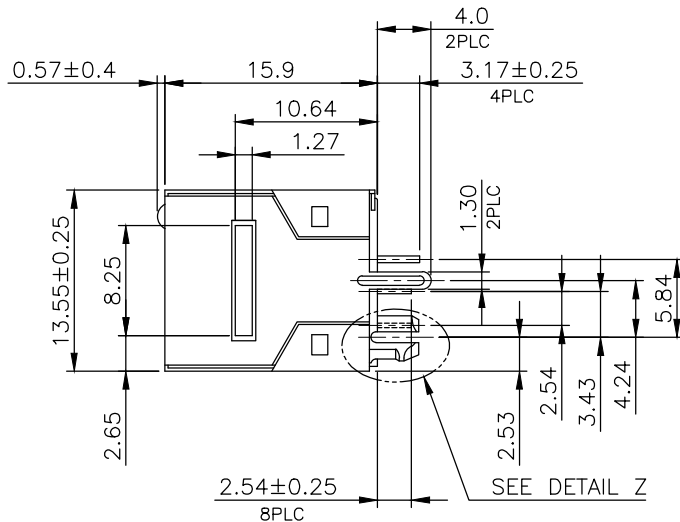
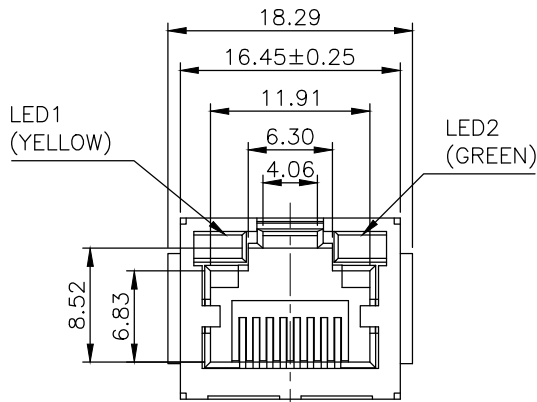
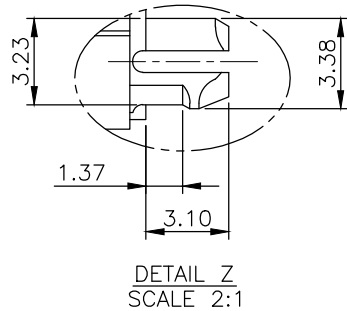
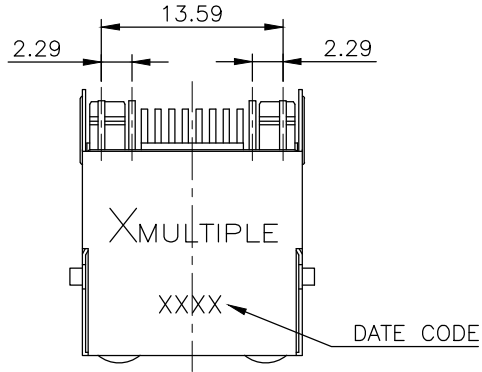
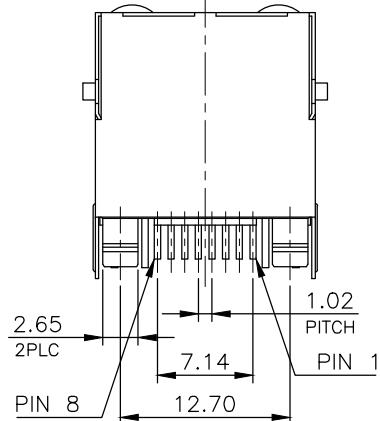
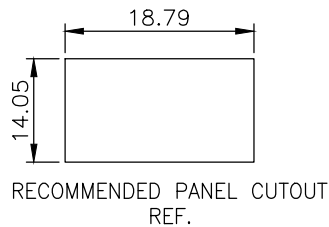


RoHS Compliance

12+--+11 10+--+9
LED SCHEMATIC



RECOMMENDED PCB LAYOUT
RECOMMENDED PCB THICKNESS: 1.6mm
TOLERANCE: ±0.05 (TOP VIEW)



NOTE:

CAVITY CONFORMS TO FCC RULES AND REGULATIONS PART 68, SUBPART F.

1. MATERIAL:

- 1.1 HOUSING: PA46, WITH GLASS FIBER, UL94V-0, STANDARD COLOR-BLACK.
- 1.2 INSERT HOUSING: PA46, WITH GLASS FIBER, UL94V-0, STANDARD COLOR-BLACK.
- 1.3 COVER: PA46, WITH GLASS FIBER, UL94V-0, STANDARD COLOR-BLACK.
- 1.4 CONTACTS: PHOSPHOR BRONZE.
- 1.5 SHELL: BRASS.
- 1.6 ED SOLDER TAIL: STEEL.

2. FINISH:

- 2.1 CONTACTS: 0.381µm [15µ"] GOLD PLATED ON CONTACT AREA, 2.54µm [100µ"] TIN PLATED ON SOLDER TAIL, 1.27µm [50µ"] MIN. NICKEL UNDERPLATED OVERALL.
- 2.2 LED SOLDER TAIL: 2.032µm [80µ"] MIN. TIN PLATED.

THIS DRAWING IS A CONTROLLED DOCUMENT.
DO NOT SCALE DRAWING.

DIMENSIONS: MM TOLERANCES UNLESS OTHERWISE SPECIFIED:

THIRD ANGLE PROJECTION

MATERIAL: SEE NOTES FINISH: SEE NOTES

DWN: T. LI DATE: APR-26-2017

CHK: D. Wang APR-26-2017

APVD: R. Tsai APR-26-2017



TITLE: RJ45, VERTICAL, FLAT PIN, WITH SHELL, WITH LED'S

SIZE: A3 DRAWING NO: XMV-9687-8811-SOL2-E-IM

WEIGHT: - GRAMS Ref. REV: 1 SHEET: 1

REVISIONS	DESCRIPTION	DATE	APVD