

RoHS Compliance

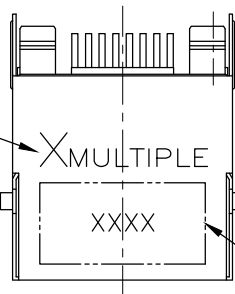
XMULTIPLE "DATE CODE" DESCRIPTION:
 XXXX
 WEEK
 YEAR(EX: 11--2011)

NOTE:

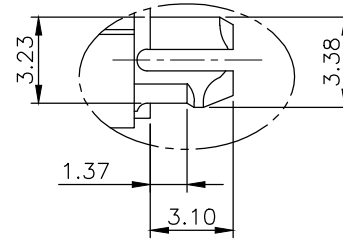
CAVITY CONFIRMS TO FCC RULES AND REGULATIONS PART 68, SUBPART F.

- MATERIAL:
 HOUSING: PA46, WITH GLASS FIBER, UL 94V-0, STANDARD COLOR-BLACK.
 CONTACTS: PHOSPHOR BRONZE.
 SHELL: BRASS.
- FINISH:
 CONTACTS: GOLD PLATED ON CONTACT AREA, 2.54μm [100μ"] TIN PLATED ON SOLDER TAIL, WITH ENTIRE CONTACT UNDERPLATED
 1.27μm [50μ"] MIN. NICKEL
 SHELL: 0.508μm [20μ"] MIN. NICKEL PLATED.

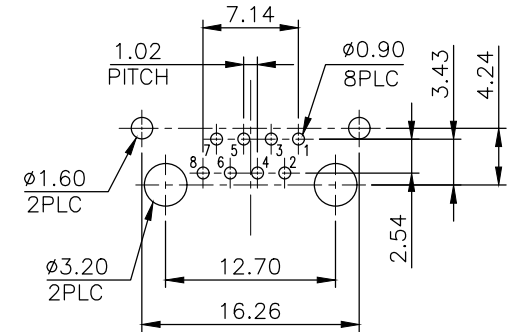
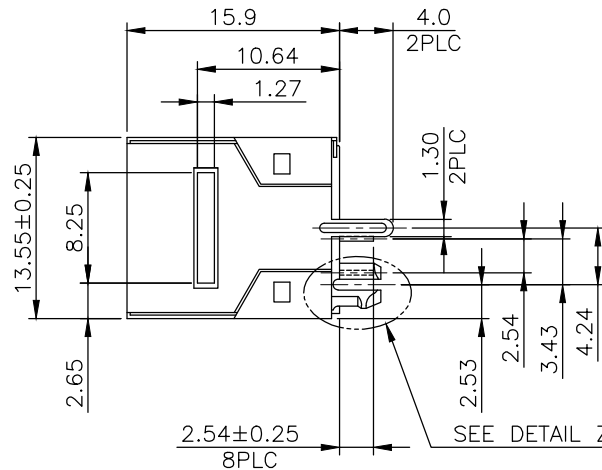
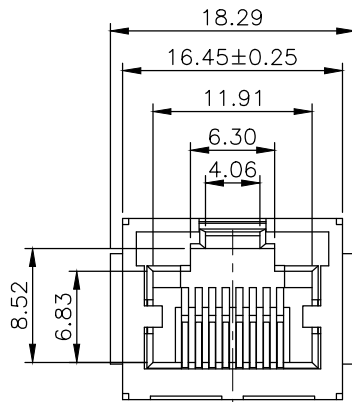
SHELL LOGO (OPTIONAL)



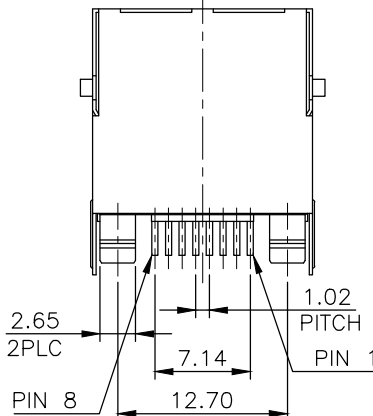
DATE CODE (OPTIONAL)



DETAIL Z
SCALE 2:1



RECOMMENDED PCB LAYOUT
 RECOMMENDED PCB THICKNESS: 1.6mm
 TOLERANCE: ±0.05 (TOP VIEW)



THIS DRAWING IS A CONTROLLED DOCUMENT.
DO NOT SCALE DRAWING.

DIMENSIONS: MM TOLERANCES UNLESS OTHERWISE SPECIFIED:

0 PLC	± -
1 PLC	± 0.25
2 PLC	± 0.13
3 PLC	± 0.05
ANGLES	± -

MATERIAL: SEE NOTES FINISH: SEE NOTES



TITLE: RJ45, VERTICAL, FLAT PIN, WITH SHELL, WITHOUT LED

LTR	DESCRIPTION	DATE	APVD
REVISIONS			

DWN	T. LI	DATE	SEP-20-2011
CHK	D. Wang	DATE	SEP-20-2011
APVD	R. Tsai	DATE	SEP-21-2011

SIZE	DRAWING NO	REV	SHEET
A3	XMV-9687-8811-S0-E-IM	1	1
WEIGHT	- GRAMS Ref.		