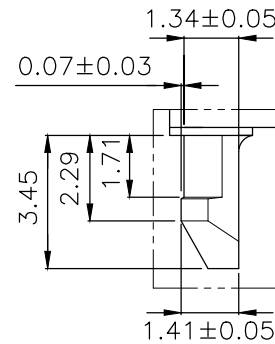
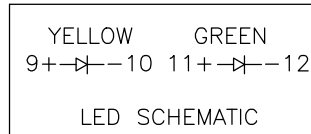
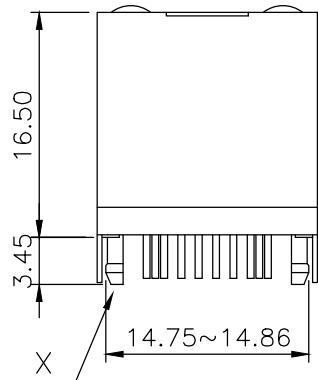
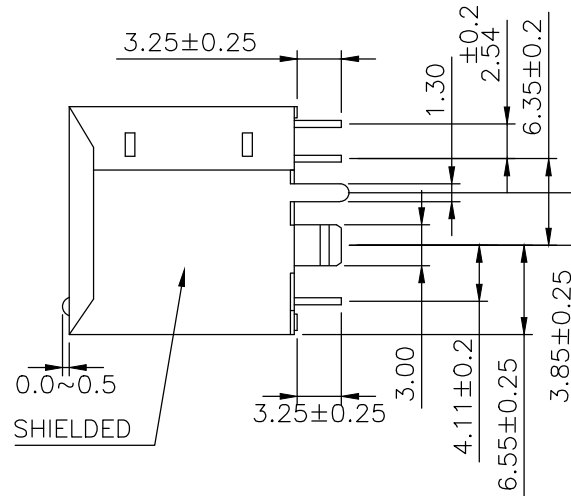
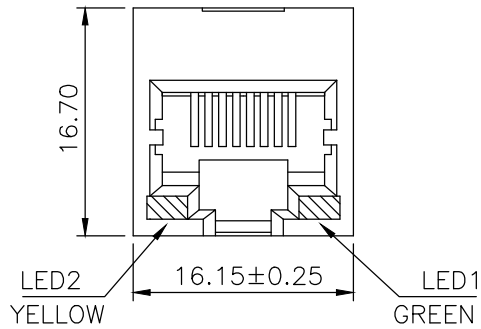


RoHS Compliance

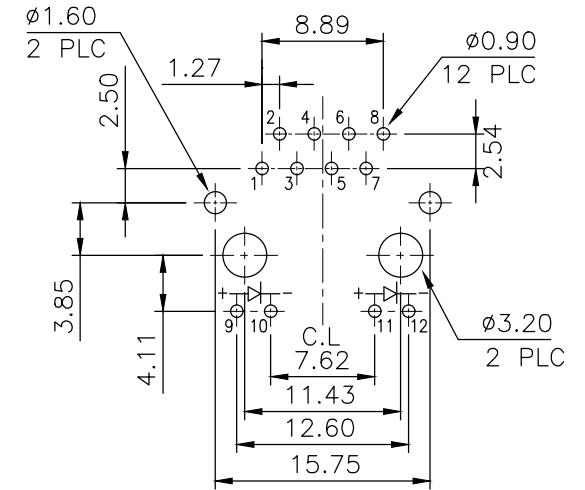
MATERIAL:

- HOUSING—PBT POLYESTER UL94V-0 MIXED GLASS FIBER. STANDARD COLOR—BLACK
- CONTACTS—0.35mm THICK PHOS-BRONZE PLATED 6U" WITH HARD GOLD AND GOLD FLASH ON SOLDER AREA.
- SHIELD—0.25mm THICK COPPER ALLOY, PLATED WITH NICKEL.

CAVITY CONFIRMS TO FCC RULES AND REGULATIONS PART 68, SUBPART F.



DETAIL X



PCB Layout

Ref.

THIS DRAWING IS A CONTROLLED DOCUMENT.
DO NOT SCALE DRAWING.

DIMENSIONS: MM TOLERANCES UNLESS OTHERWISE SPECIFIED:

THIRD ANGLE PROJECTION MATERIAL: SEE NOTES FINISH: SEE NOTES

DWN T. LI DATE OCT-04-2018
CHK D. Wang OCT-04-2018
APVD R. Tsai OCT-04-2018



TITLE RJ45, WITH LED'S, SHIELDED FLAT PIN, TOP ENTRY PCB JACK

SIZE A3 DRAWING NO XMV-9644-8814-SOL1-D
WEIGHT - GRAMS Ref. REV 1 SHEET 1

REVISIONS	DESCRIPTION	DATE	APVD
△ -			