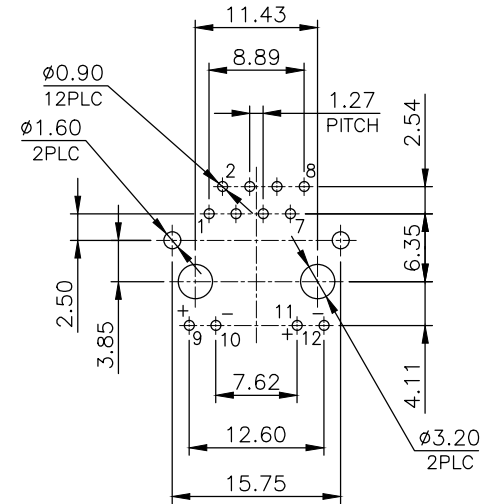
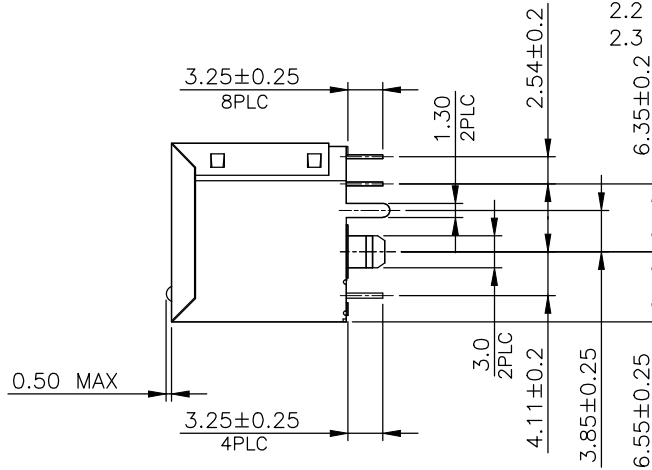
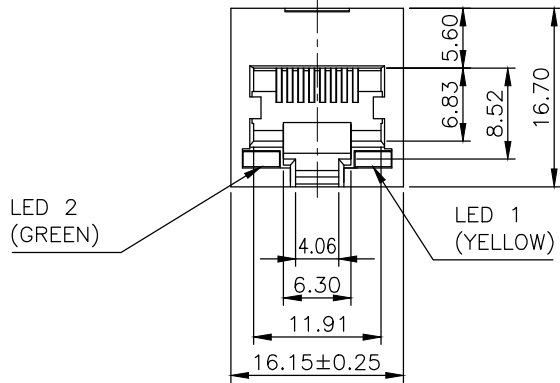
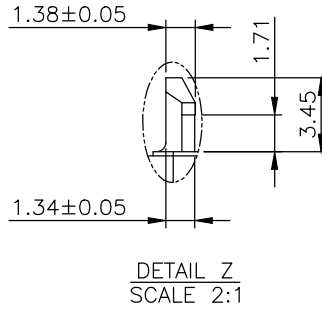
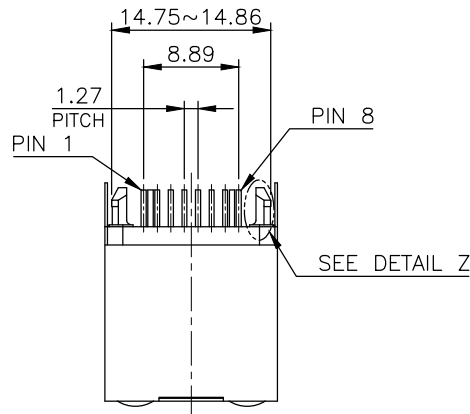
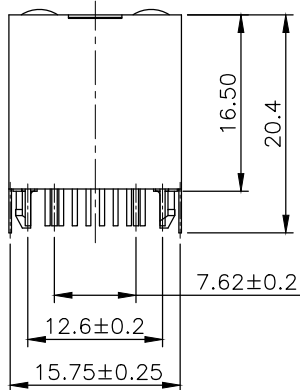
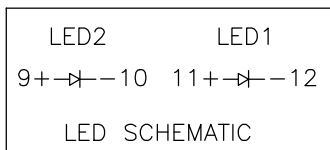


RoHS Compliance



RECOMMENDED PCB LAYOUT
PCB THICKNESS: 1.6mm
TOLERANCE: ±0.05mm (TOP VIEW)



NOTE:

CAVITY CONFIRMS TO FCC RULES AND REGULATIONS PART 68, SUBPART F.

1. MATERIAL:

- 1.1 HOUSING: PBT, WITH GLASS FIBER, UL94V-0, STANDARD COLOR-BLACK.
- 1.2 INSERT HOUSING: PA46, WITH GLASS FIBER, UL94V-0, STANDARD COLOR-BLACK.
- 1.3 CONTACTS: PHOSPHOR BRONZE.
- 1.4 SHELL: BRASS.
- 1.5 LED SOLDER TAIL: STEEL.

2. FINISH:

- 2.1 CONTACTS: 0.381μm [15μ"] GOLD PLATED ON CONTACT AREA, GOLD FLASH ON SOLDER TAIL, 1.27μm [50μ"] MIN. NICKEL UNDERPLATED OVERALL.
- 2.2 SHELL: 0.508μm [20μ"] MIN. NICKEL PLATED.
- 2.3 LED SOLDER TAIL: 2.032μm [80μ"] MIN. TIN PLATED.

THIS DRAWING IS A CONTROLLED DOCUMENT. DO NOT SCALE DRAWING.	
DIMENSIONS: MM	TOLERANCES UNLESS OTHERWISE SPECIFIED:
	X ± - X.X ± 0.25 X.XX ± 0.13 X.XXX ± 0.05 ANGLES ± -
THIRD ANGLE PROJECTION	
MATERIAL SEE NOTES	FINISH SEE NOTES
DWN <i>T. Li</i>	DATE JUL-04-2019
CHK <i>D. Wang</i>	JUL-04-2019
APVD <i>R. Tsai</i>	JUL-04-2019



TITLE
RJ45, WITH LED'S, WITH SHELL,
FLAT PIN, TOP ENTRY PCB JACK

REVISIONS	DESCRIPTION	DATE	APVD
△ -	-	-	-

SIZE A3	DRAWING NO XMV-9644-8811-SOL2-D	WEIGHT - GRAMS Ref.	REV 1	SHEET 1
------------	------------------------------------	------------------------	----------	------------