

# RoHS Compliance

NOTE:

1.MATERIAL:

A.MICRO SD

HOUSING: LCP, WITH GLASS FIBER,  
UL94V-0, STANDARD COLOR-BLACK.

CONTACTS: PHOSPHOR BRONZE,  
GOLD PLATED ON CONTACT AREA.

SHELL: SUS, NICKEL PLATED.

B.MICRO USB3.1

HOUSING: LCP, WITH GLASS FIBER,  
UL94V-0, STANDARD COLOR-BLACK.

CONTACTS: PHOSPHOR BRONZE,  
GOLD PLATED ON CONTACT AREA,  
TIN PLATED ON SOLDER AREA.

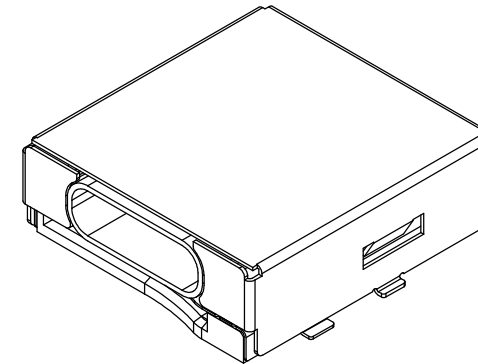
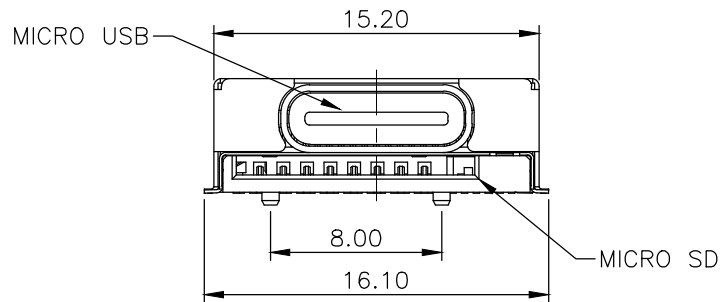
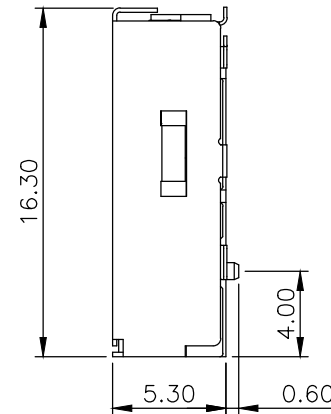
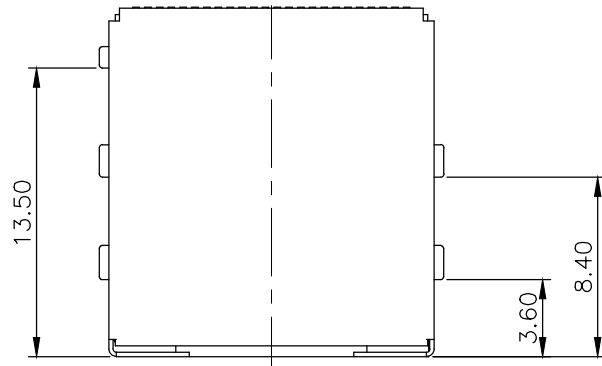
SHELL: SUS OR BRASS, NICKEL PLATED.

C.HOUSING: LCP, WITH GLASS FIBER,

UL94V-0, STANDARD COLOR-BLACK.

D.CONTACTS: PHOSPHOR BRONZE,  
TIN PLATED ON SOLDER AREA.

E.SHELL: BRASS. NICKEL PLATED.



THIS DRAWING IS A CONTROLLED DOCUMENT.  
DO NOT SCALE DRAWING.

DIMENSIONS: MM TOLERANCES UNLESS OTHERWISE SPECIFIED:

0 PLC ± -  
1 PLC ± 0.25  
2 PLC ± 0.20  
3 PLC ± 0.10  
ANGLES ± -

THIRD ANGLE PROJECTION MATERIAL SEE NOTES FINISH SEE NOTES



TITLE MICRO USB3.1 AND MICRO SD 2 IN 1 CONNECTOR

REVISIONS	DESCRIPTION	DATE	APVD
△ -			
LTR			

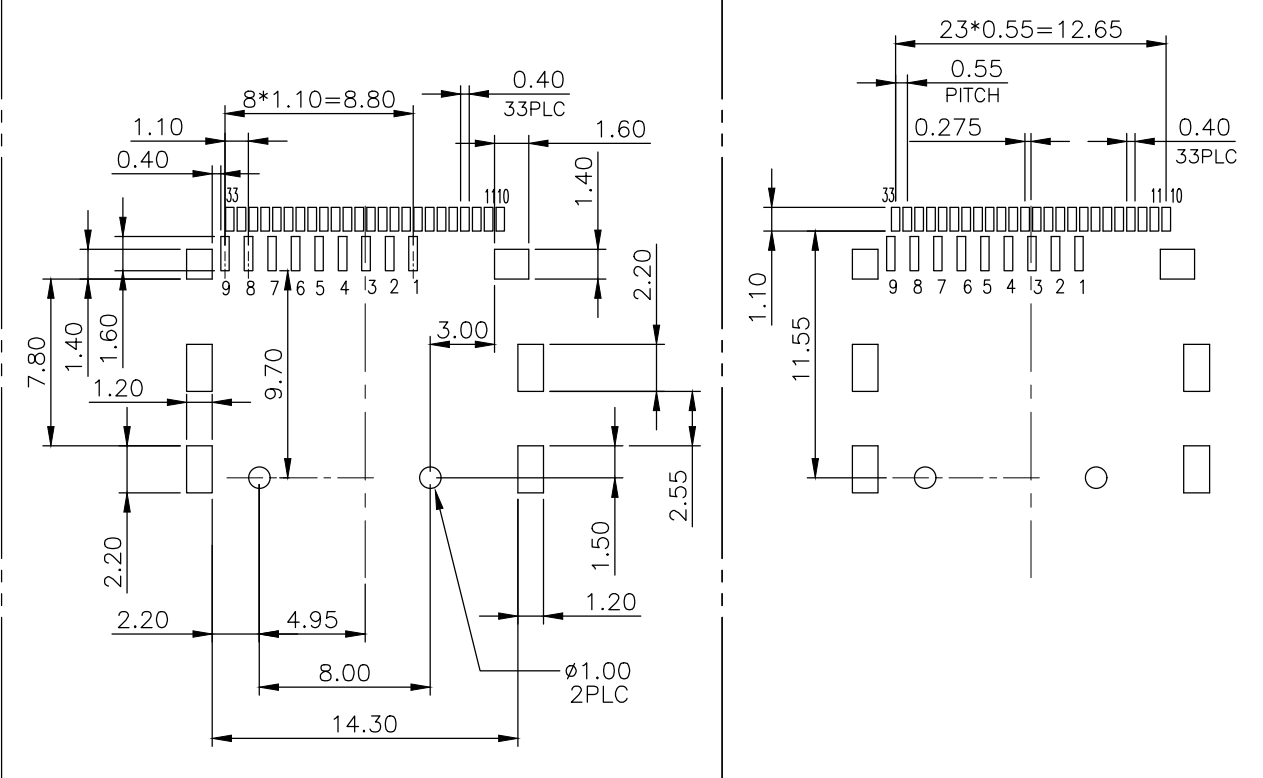
DWN	T. LI	DATE	NOV-21-2017
CHK	D. Wang		NOV-21-2017
APVD	R. Tsai		

SIZE	DRAWING NO	WEIGHT	REV	SHEET
A3	XMM-USBSD-31	- GRAMS Ref.	A	1

# RoHS Compliance

PART1

PART2



MICRO SD PINS DEFINE

MICRO USB PINS DEFINE

PIN NUMBER	PIN ASSIGNMENT
1	DAT2
2	CD/DAT3
3	CMD
4	VDD
5	CLK
6	VSS
7	DAT0
8	DAT1
9	CARD DETECTION

PIN NUMBER	PIN ASSIGNMENT
10 (B1)	GND
11 (A12)	GND
12 (B2)	SSTX2+
13 (A11)	SSRX2+
14 (B3)	SSTX2-
15 (A10)	SSRX2-
16 (B4)	VBUS
17 (A9)	VBUS
18 (B5)	CC2
19 (A8)	SBU1
20 (B6)	D2+
21 (A7)	D1-
22 (B7)	D2-
23 (A6)	D1+
24 (B8)	SBU2
25 (A5)	CC1
26 (B9)	VBUS
27 (A4)	VBUS
28 (B10)	SSRX1-
29 (A3)	SSTX1-
30 (B11)	SSRX1+
31 (A2)	SSTX1+
32 (B12)	GND
33 (A1)	GND

RECOMMENDED PCB LAYOUT  
TOLERANCE:  $\pm 0.05$  (TOP VIEW)

THIS DRAWING IS A CONTROLLED DOCUMENT.  
DO NOT SCALE DRAWING.

DIMENSIONS: MM	TOLERANCES UNLESS OTHERWISE SPECIFIED:
	0 PLC $\pm$ - 1 PLC $\pm 0.25$ 2 PLC $\pm 0.20$ 3 PLC $\pm 0.10$ ANGLES $\pm$ -
MATERIAL	FINISH
SEE NOTES	SEE NOTES



TITLE  
MICRO USB3.1 AND  
MICRO SD 2 IN 1 CONNECTOR

REVISIONS	DESCRIPTION	DATE	APVD
△ -			
LTR			

DWN	T. LI	DATE	NOV-21-2017
CHK	D. Wang	DATE	NOV-21-2017
APVD	R. Tsai		

SIZE	DRAWING NO	WEIGHT	REV	SHEET
A3	XMM-USBSD-31	- GRAMS Ref.	A	2