

# RoHS Compliance

NOTE:

1.MATERIAL:

A.MICRO SD

HOUSING: LCP, WITH GLASS FIBER,  
UL94V-0, STANDARD COLOR-BLACK.

CONTACTS: PHOSPHOR BRONZE,  
GOLD PLATED ON CONTACT AREA.

SHELL: SUS, NICKEL PLATED.

B.MICRO USB3.0

HOUSING: LCP, WITH GLASS FIBER,  
UL94V-0, STANDARD COLOR-BLACK.

CONTACTS: PHOSPHOR BRONZE,  
GOLD PLATED ON CONTACT AREA,  
TIN PLATED ON SOLDER AREA.

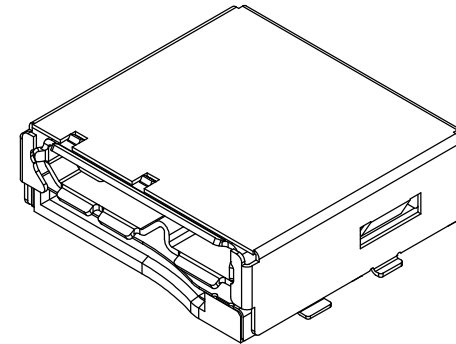
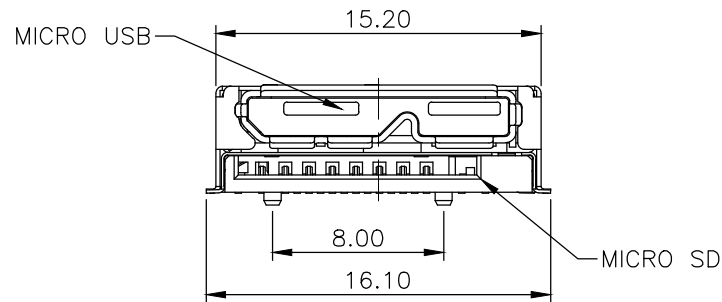
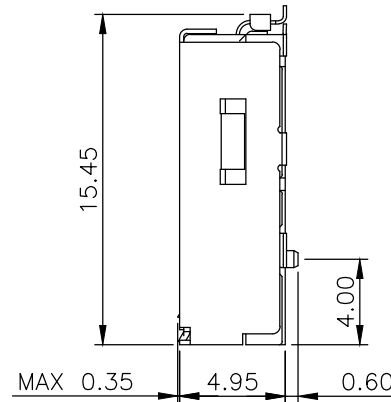
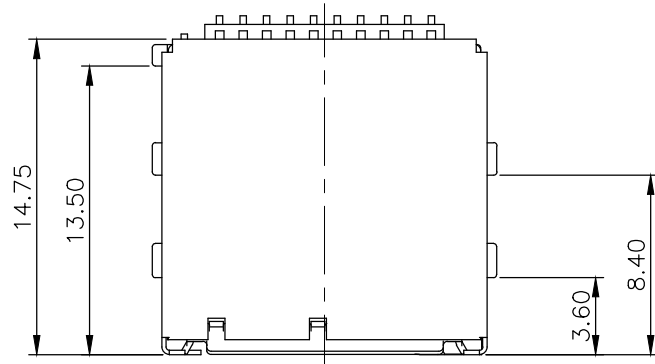
SHELL: SUS OR BRASS, NICKEL PLATED.

C.HOUSING: LCP, WITH GLASS FIBER,

UL94V-0, STANDARD COLOR-BLACK.

D.CONTACTS: PHOSPHOR BRONZE,  
TIN PLATED ON SOLDER AREA.

E.SHELL: BRASS. NICKEL PLATED.



THIS DRAWING IS A CONTROLLED DOCUMENT.  
DO NOT SCALE DRAWING.

DIMENSIONS: MM  
TOLERANCES UNLESS OTHERWISE SPECIFIED:

0 PLC ± -  
1 PLC ± 0.25  
2 PLC ± 0.20  
3 PLC ± 0.10  
ANGLES ± -

THIRD ANGLE PROJECTION  
MATERIAL SEE NOTES  
FINISH SEE NOTES



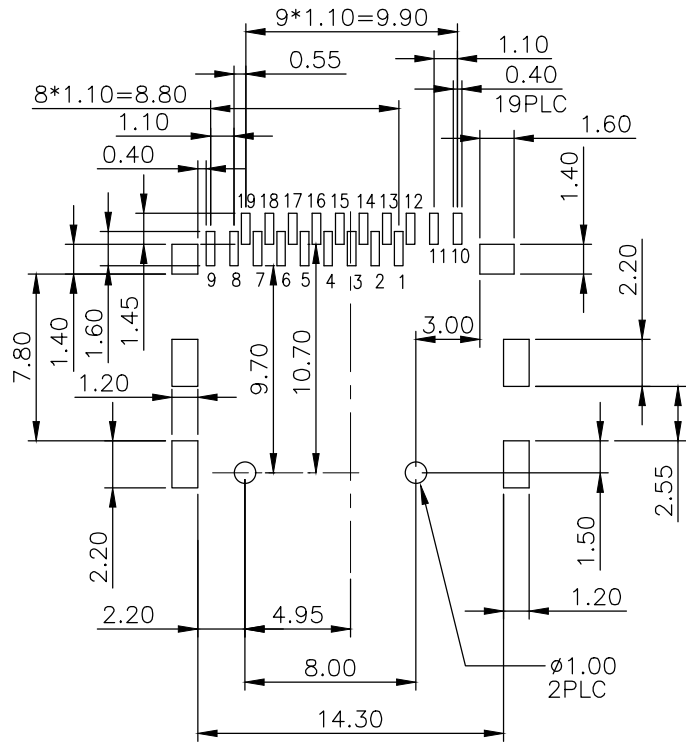
TITLE  
MICRO USB3.0 AND  
MICRO SD 2 IN 1 CONNECTOR

REVISIONS	DESCRIPTION	DATE	APVD
△ -			
LTR			

DWN	T. LI	DATE	NOV-21-2017
CHK	D. Wang	DATE	NOV-21-2017
APVD	R. Tsai		

SIZE	DRAWING NO	WEIGHT	REV	SHEET
A3	XMM-USBSD-30	- GRAMS Ref.	A	1

# RoHS Compliance



RECOMMENDED PCB LAYOUT  
TOLERANCE:  $\pm 0.05$  (TOP VIEW)

## MICRO SD PINS DEFINE

PIN NUMBER	PIN ASSIGNMENT
1	DAT2
2	CD/DAT3
3	CMD
4	VDD
5	CLK
6	VSS
7	DAT0
8	DAT1
9	CARD DETECTION

## MICRO USB PINS DEFINE

PIN NUMBER	PIN ASSIGNMENT
10	MicA_SSRX+
11	MicA_SSRX-
12	GND_DRAIN
13	MicA_SSTX+
14	MicA_SSTX-
15	GND
16	ID
17	D+
18	D-
19	VBUS

THIS DRAWING IS A CONTROLLED DOCUMENT.  
DO NOT SCALE DRAWING.

DIMENSIONS: MM  
TOLERANCES UNLESS OTHERWISE SPECIFIED:

THIRD ANGLE PROJECTION  
MATERIAL: SEE NOTES  
FINISH: SEE NOTES

DWN: T. LI  
CHK: D. Wang  
APVD: R. Tsai  
DATE: NOV-21-2017  
DATE: NOV-21-2017



TITLE: MICRO USB3.0 AND MICRO SD 2 IN 1 CONNECTOR

SIZE: A3  
DRAWING NO: XMM-USBSD-30  
WEIGHT: - GRAMS Ref.  
REV: A  
SHEET: 2

REVISIONS	DESCRIPTION	DATE	APVD
△ -		-	-