

RoHS Compliance

NOTE:

1.MATERIAL:

A.MICRO SD

HOUSING: LCP, WITH GLASS FIBER,
UL94V-0, STANDARD COLOR-BLACK.

CONTACTS: PHOSPHOR BRONZE,
GOLD PLATED ON CONTACT AREA.

SHELL: SUS, NICKEL PLATED.

B.MICRO USB2.0

HOUSING: LCP, WITH GLASS FIBER,
UL94V-0, STANDARD COLOR-BLACK.

CONTACTS: PHOSPHOR BRONZE,
GOLD PLATED ON CONTACT AREA,
TIN PLATED ON SOLDER AREA.

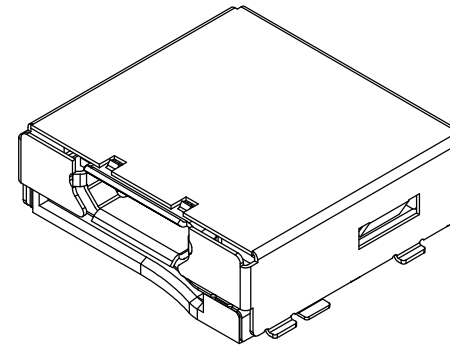
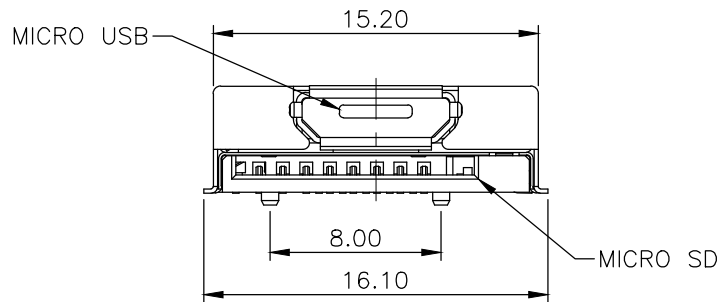
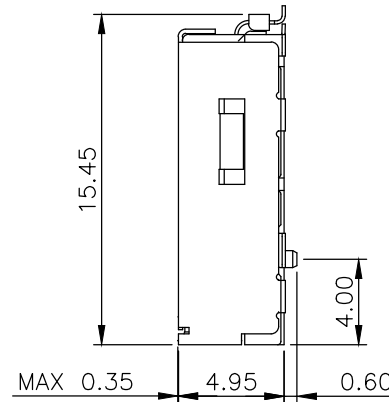
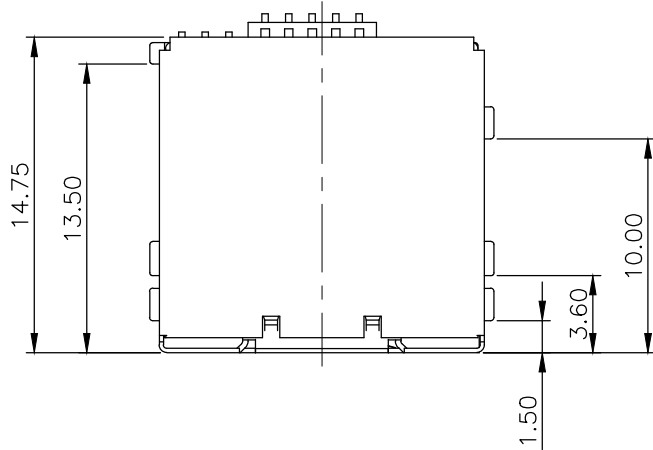
SHELL: SUS OR BRASS, NICKEL PLATED.

C.HOUSING: LCP, WITH GLASS FIBER,

UL94V-0, STANDARD COLOR-BLACK.

D.CONTACTS: PHOSPHOR BRONZE,
TIN PLATED ON SOLDER AREA.

E.SHELL: BRASS. NICKEL PLATED.



THIS DRAWING IS A CONTROLLED DOCUMENT.
DO NOT SCALE DRAWING.

DIMENSIONS: MM
TOLERANCES UNLESS OTHERWISE SPECIFIED:

0 PLC ± -
1 PLC ± 0.25
2 PLC ± 0.20
3 PLC ± 0.10
ANGLES ± -

THIRD ANGLE PROJECTION
MATERIAL SEE NOTES
FINISH SEE NOTES



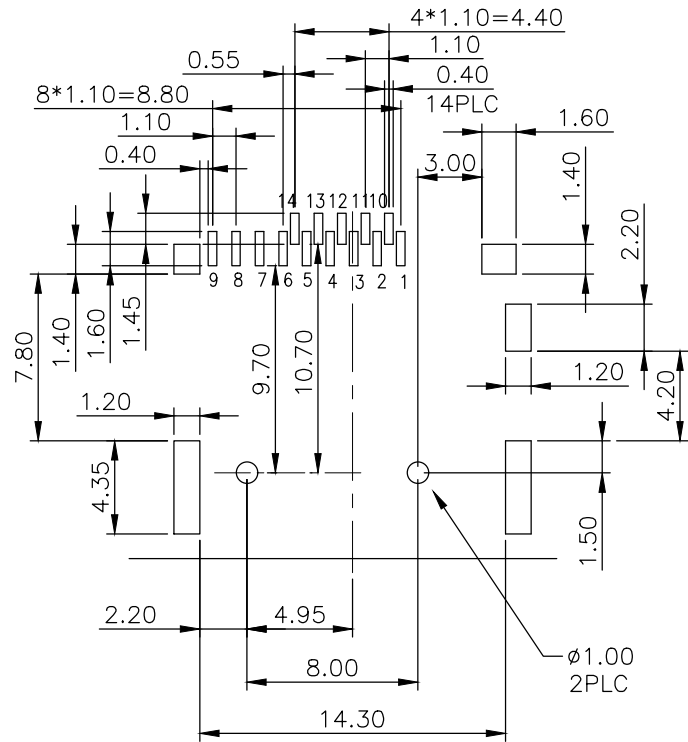
TITLE
MICRO USB2.0 AND
MICRO SD 2 IN 1 CONNECTOR

REVISIONS	DESCRIPTION	DATE	APVD
△ -			
LTR			

DWN	T. LI	DATE	NOV-21-2017
CHK	D. Wang	DATE	NOV-21-2017
APVD	R. Tsai		

SIZE	DRAWING NO
A3	XMM-USBSD-20
WEIGHT	- GRAMS Ref.
REV	A
SHEET	1

RoHS Compliance



RECOMMENDED PCB LAYOUT
TOLERANCE: ± 0.05 (TOP VIEW)

MICRO SD PINS DEFINE

PIN NUMBER	PIN ASSIGNMENT
1	DAT2
2	CD/DAT3
3	CMD
4	VDD
5	CLK
6	VSS
7	DAT0
8	DAT1
9	CARD DETECTION

MICRO USB PINS DEFINE

PIN NUMBER	PIN ASSIGNMENT
10	GND
11	ID
12	D+
13	D-
14	VBUS

THIS DRAWING IS A CONTROLLED DOCUMENT.
DO NOT SCALE DRAWING.

DIMENSIONS: MM
TOLERANCES UNLESS OTHERWISE SPECIFIED:

THIRD ANGLE PROJECTION
MATERIAL: SEE NOTES
FINISH: SEE NOTES

0 PLC	\pm -
1 PLC	± 0.25
2 PLC	± 0.20
3 PLC	± 0.10
ANGLES	\pm -

DWN *T. Li* DATE NOV-21-2017
CHK *D. Wang* DATE NOV-21-2017
APVD *R. Tsai*



TITLE
MICRO USB2.0 AND
MICRO SD 2 IN 1 CONNECTOR

REVISIONS	DESCRIPTION	DATE	APVD
△ -		-	-

SIZE	DRAWING NO	WEIGHT	REV	SHEET
A3	XMM-USBSD-20	- GRAMS Ref.	A	2