

RoHS Compliance

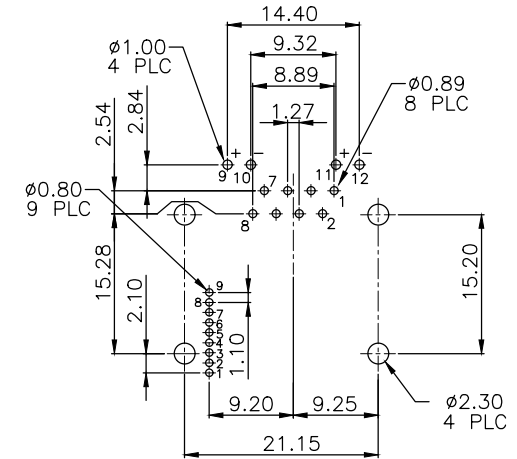
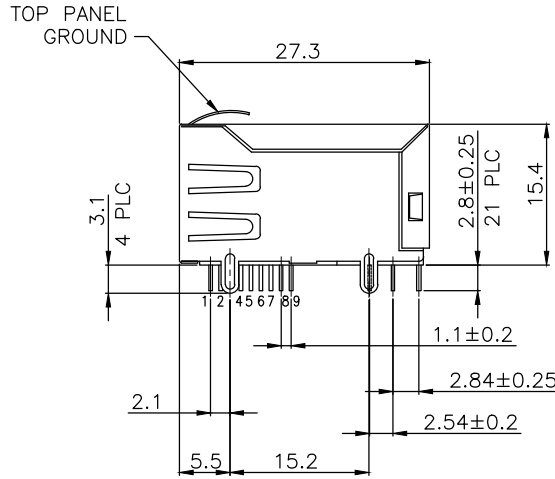
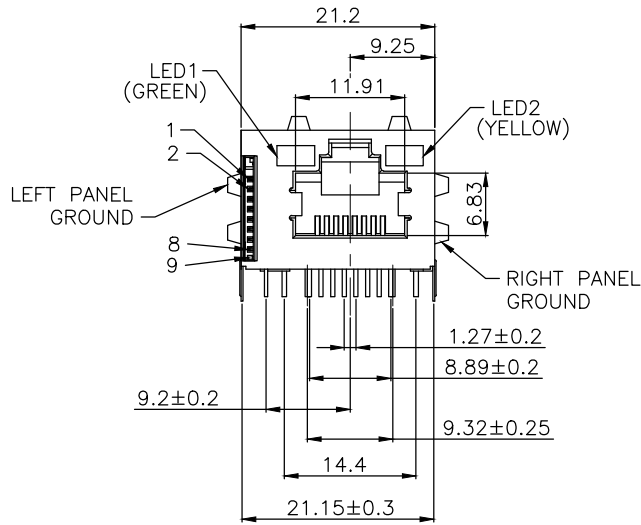
SD ELECTRICAL SPECIFICATIONS

PIN NUMBER	PIN ASSIGNMENT	PIN NUMBER	PIN ASSIGNMENT
1	DAT2	6	VSS
2	CD/DAT3	7	DAT0
3	CMD	8	DAT1
4	VDD	9	GROUND
5	CLK		

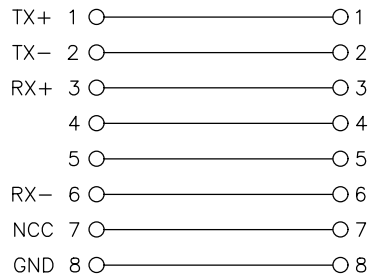
MATERIAL:

- HOUSING—PBT POLYESTER UL94V-0
MIXED GLASS FIBER.
STANDARD COLOR—BLACK.
- CONTACTS—PHOS-BRONZE PLATED
WITH HARD GOLD AND GOLD FLASH IN
SOLDER AREA.
- SHIELD—COPPER ALLOY,
PLATED WITH NICKEL.

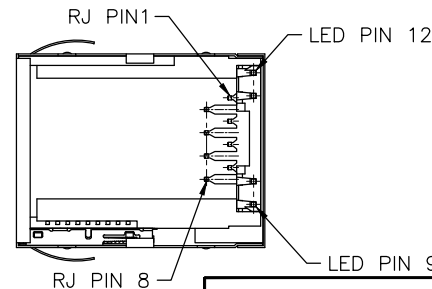
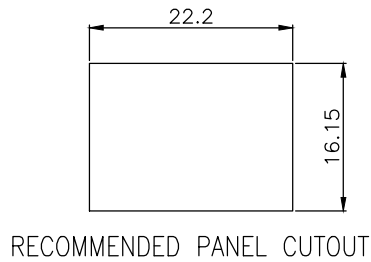
CAVITY CONFIRMS TO FCC RULES AND REGULATIONS
PART 68,SUBPART F. U.S. Patent #9,509,109



PCB LAYOUT
Ref.



RJ45 ELECTRICAL SPECIFICATIONS



THIS DRAWING IS A CONTROLLED DOCUMENT. DO NOT SCALE DRAWING.	
DIMENSIONS: MM	TOLERANCES UNLESS OTHERWISE SPECIFIED:
	X ± - X.X ± 0.25 X.XX ± 0.13 X.XXX ± 0.05 ANGLES ± -
THIRD ANGLE PROJECTION	
MATERIAL SEE NOTES	FINISH SEE NOTES
DWN T. LI	DATE OCT-11-2017
CHK D. Wang	OCT-11-2017
APVD R. Tsai	OCT-11-2017



TITLE RJ45+VERTICAL MicroSD,WITH LEDS LOWPROFILE TYPE U.S. Patent #9,509,109	
SIZE A3	DRAWING NO XMM-SRT-RJVSD-4
WEIGHT - GRAMS Ref.	REV A SHEET 1

REVISIONS	DESCRIPTION	DATE	APVD
△ -			
LTR			