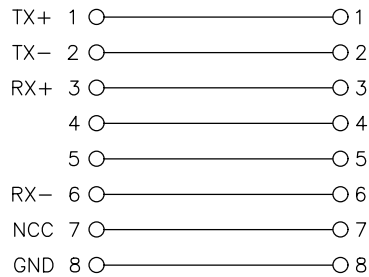
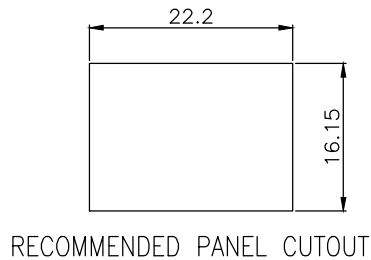
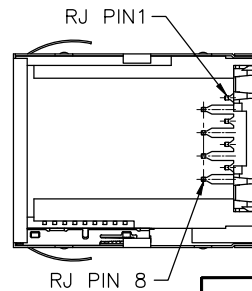
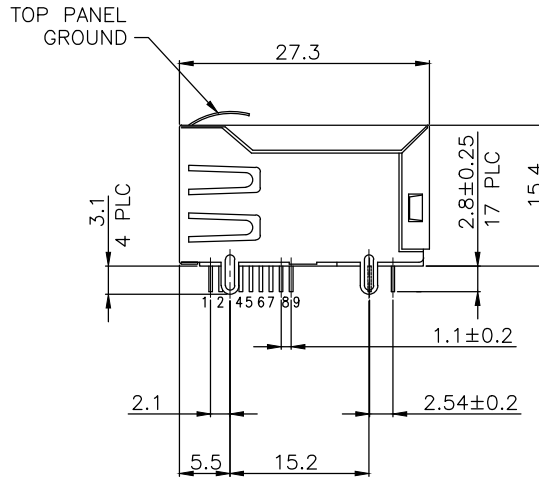
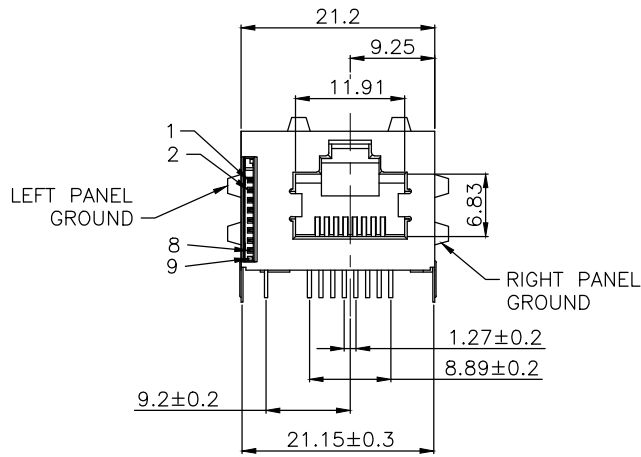


RoHS Compliance

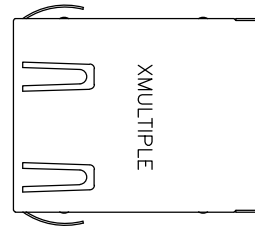
SD ELECTRICAL SPECIFICATIONS

| PIN NUMBER | PIN ASSIGNMENT | PIN NUMBER | PIN ASSIGNMENT |
|------------|----------------|------------|----------------|
| 1 | DAT2 | 6 | VSS |
| 2 | CD/DAT3 | 7 | DAT0 |
| 3 | CMD | 8 | DAT1 |
| 4 | VDD | 9 | GROUND |
| 5 | CLK | | |



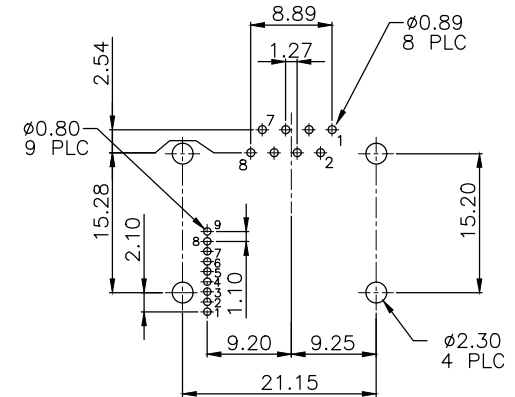
RJ45 ELECTRICAL SPECIFICATIONS

| REVISIONS | DESCRIPTION | DATE | APVD |
|-----------|-------------|------|------|
| △ - | | | |
| LTR | | | |



MATERIAL:

- HOUSING—PBT POLYESTER UL94V-0 MIXED GLASS FIBER. STANDARD COLOR—BLACK.
 - CONTACTS—PHOS-BRONZE PLATED WITH HARD GOLD AND GOLD FLASH IN SOLDER AREA.
 - SHIELD—COPPER ALLOY, PLATED WITH NICKEL.
- CAVITY CONFIRMS TO FCC RULES AND REGULATIONS PART 68,SUBPART F. U.S. Patent #9,509,109



PCB LAYOUT
Ref.

| | |
|---|---|
| THIS DRAWING IS A CONTROLLED DOCUMENT. DO NOT SCALE DRAWING. | |
| DIMENSIONS: MM | TOLERANCES UNLESS OTHERWISE SPECIFIED: |
| | X ± X.X ±0.25 X.XX ±0.13 X.XXX ±0.05 ANGLES ± |
| THIRD ANGLE PROJECTION | |
| MATERIAL SEE NOTES | FINISH SEE NOTES |
| DWN T. LI | DATE OCT-11-2017 |
| CHK D. Wang | OCT-11-2017 |
| APVD R. Tsai | OCT-11-2017 |



| | |
|--|-----------------------------------|
| TITLE RJ45+VERTICAL MicroSD,WITHOUT LED LOWPROFILE TYPE U.S. Patent #9,509,109 | |
| SIZE A3 | DRAWING NO XMM-9711-8814-S3-SD |
| WEIGHT - GRAMS Ref. | REV A |
| | SHEET 1 |