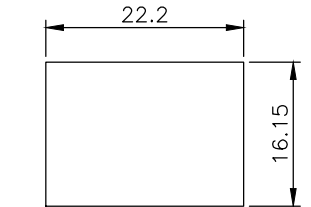
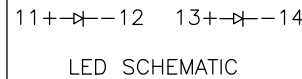
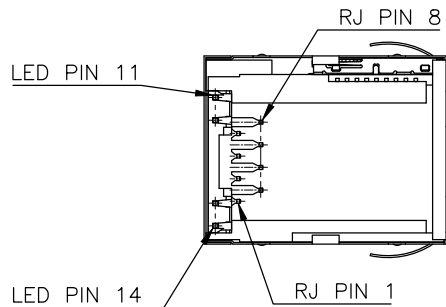
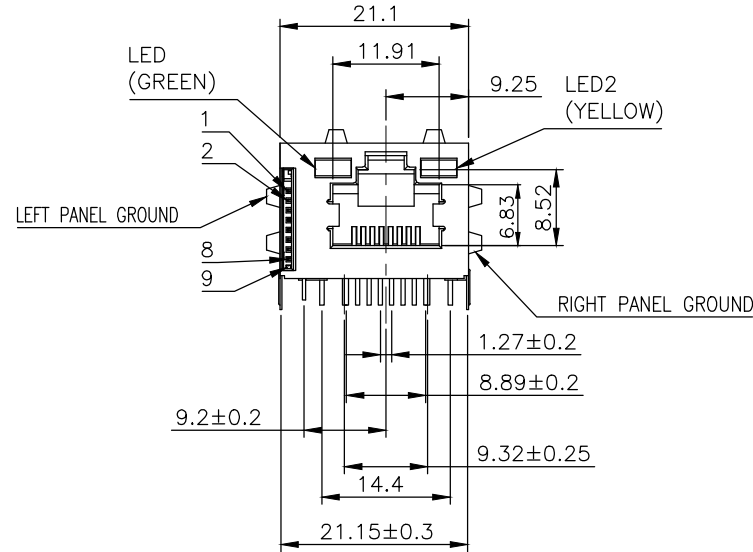
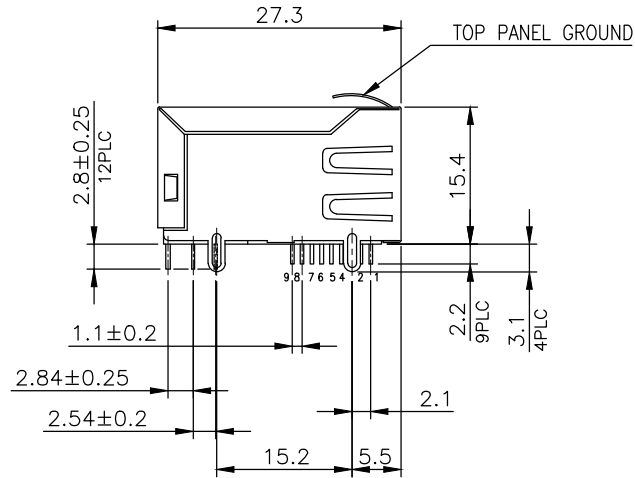
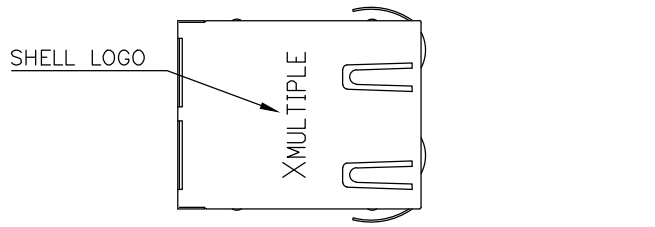


RoHS Compliance

SD ELECTRICAL SPECIFICATIONS

PIN NUMBER	PIN ASSIGNMENT	PIN NUMBER	PIN ASSIGNMENT
1	DAT2	6	VSS
2	CD/DAT3	7	DAT0
3	CMD	8	DAT1
4	VDD	9	GROUND
5	CLK		



THIS DRAWING IS A CONTROLLED DOCUMENT.
DO NOT SCALE DRAWING.

DIMENSIONS: MM
TOLERANCES UNLESS OTHERWISE SPECIFIED:

THIRD ANGLE PROJECTION
MATERIAL: SEE NOTES
FINISH: SEE NOTES



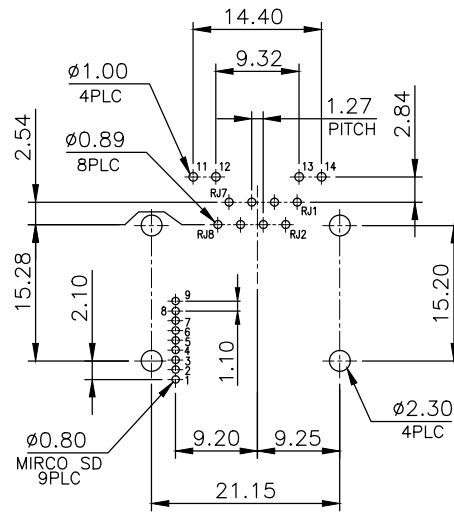
TITLE: RJ45+VERTICAL MicroSD, WITH LED, LOWPROFILE TYPE

REVISIONS	DESCRIPTION	DATE	APVD

DWN	T. LI	DATE	FEB-22-2017
CHK	D. Wang		FEB-22-2017
APVD	R. Tsai		FEB-23-2017

SIZE	DRAWING NO	WEIGHT	REV	SHEET
A3	XMH-9711-8814-S3L1TS-SD-A	- GRAMS Ref.	1	1

RoHS Compliance



RECOMMENDED PCB LAYOUT
 PCB THICKNESS: 1.2mm
 TOLERANCE: $\pm 0.05\text{mm}$ (TOP VIEW)

NOTE:

CAVITY CONFORMS TO FCC RULES AND REGULATIONS PART 68, SUBPART F.

1. MATERIAL:

- RJ
- 1.1 RJ HOUSING: PBT, WITH GLASS FIBER, UL94V-0, STANDARD COLOR-BLACK.
- 1.2 RJ INSERT HOUSING: PBT, WITH GLASS FIBER, UL94V-0, STANDARD COLOR-BLACK.
- 1.3 RJ LED COVER: PBT, WITH GLASS FIBER, UL94V-0, STANDARD COLOR-BLACK.
- 1.4 RJ CONTACTS: PHOSPHOR BRONZE.
- 1.5 RJ SHELL: BRASS.
- 1.6 RJ LED SOLDER TAIL: STEEL.

2. FINISH:

- 2.1 CONTACTS: GOLD PLATED ON CONTACT AREA, GOLD FLASH ON SOLDER TAIL, $1.27\mu\text{m}$ [$50\mu''$] MIN. NICKEL UNDERPLATED OVERALL.
- 2.2 SHELL: $0.508\mu\text{m}$ [$20\mu''$] MIN. NICKEL PLATED.
- 2.3 LED SOLDER TAIL: $2.032\mu\text{m}$ [$80\mu''$] MIN. TIN PLATED.

THIS DRAWING IS A CONTROLLED DOCUMENT.
 DO NOT SCALE DRAWING.

DIMENSIONS: MM	TOLERANCES UNLESS OTHERWISE SPECIFIED:
	X \pm
	X.X \pm
	X.XX \pm
	X.XXX \pm
	ANGLES \pm



TITLE
 RJ45+VERTICAL MicroSD,
 WITH LED, LOWPROFILE TYPE

LTR	DESCRIPTION	DATE	APVD
REVISIONS			

MATERIAL	SEE NOTES	FINISH	SEE NOTES
DWN	T. LI	DATE	FEB-22-2017
CHK	D. Wang	DATE	FEB-22-2017
APVD	R. Tsai	DATE	FEB-23-2017

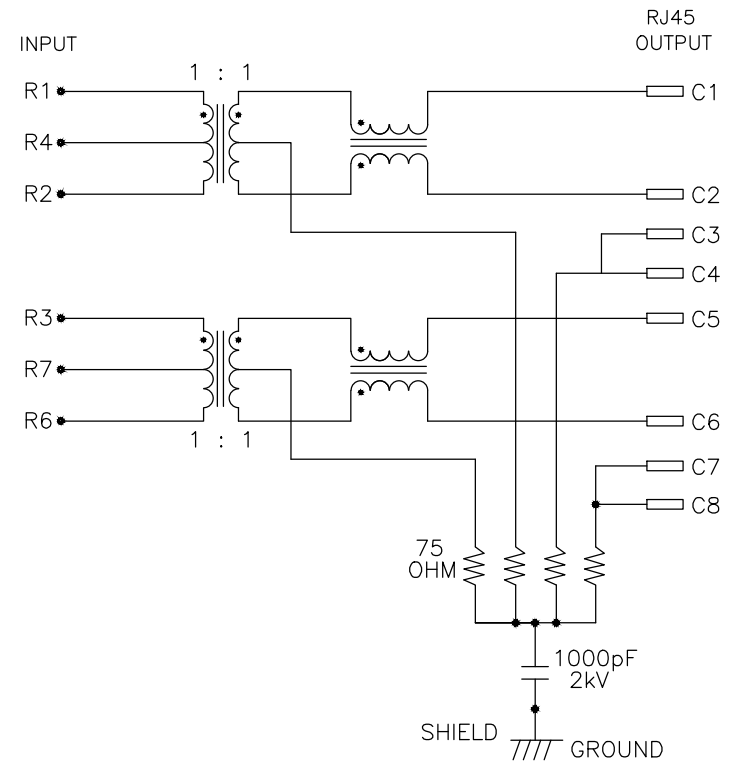
SIZE	DRAWING NO	WEIGHT	REV	SHEET
A3	XMH-9711-8814-S3L1TS-SD-A	- GRAMS Ref.	-	2


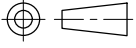
RoHS Compliance

9711 TRANSFORMER TYPE S

ELECTRICAL CHARACTERISTICS

1. TYPE:
BALANCE LOW PASS 100 OHMS IMPEDANCE
2. INSERTION LOSS:
-1.0dB MAXIMUM AT 1MHz TO 100MHz
3. RETURN LOSS:
-18dB MINIMUM AT 1MHz TO 30MHz
-16dB MINIMUM AT 30MHz TO 60MHz
-12dB MINIMUM AT 60MHz TO 80MHz
4. COMMON MODE REJECTION:
-30dB MINIMUM AT 1MHz TO 100MHz
5. CROSS TALK:
-30dB MINIMUM AT 1MHz TO 100MHz
6. INDUCTANCE:(100KHz, 0.1V, 8mA, DC Bias)
INPUT(1-2),(3-6):350uH MINIMUM



THIS DRAWING IS A CONTROLLED DOCUMENT. DO NOT SCALE DRAWING.			
DIMENSIONS: MM	TOLERANCES UNLESS OTHERWISE SPECIFIED:		
 THIRD ANGLE PROJECTION	X ± - X.X ± - X.XX ± - X.XXX ± - ANGLES ± -	TITLE RJ45+VERTICAL MicroSD, WITH LED, LOWPROFILE TYPE	
MATERIAL SEE NOTES	FINISH SEE NOTES	SIZE A3	DRAWING NO XMH-9711-8814-S3L1TS-SD-A
△ -	-	DWN <i>T. Li</i>	DATE FEB-22-2017
LTR	DESCRIPTION	CHK <i>D. Wang</i>	DATE FEB-22-2017
REVISIONS		APVD <i>R. Tsai</i>	DATE FEB-23-2017
		WEIGHT - GRAMS Ref.	REV - SHEET 3