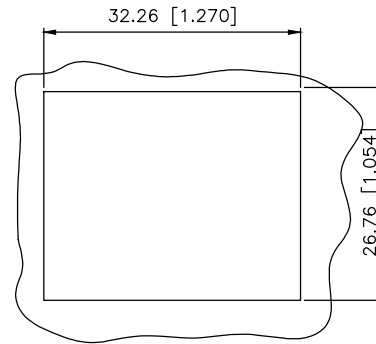
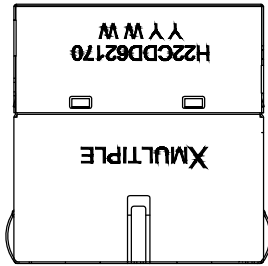
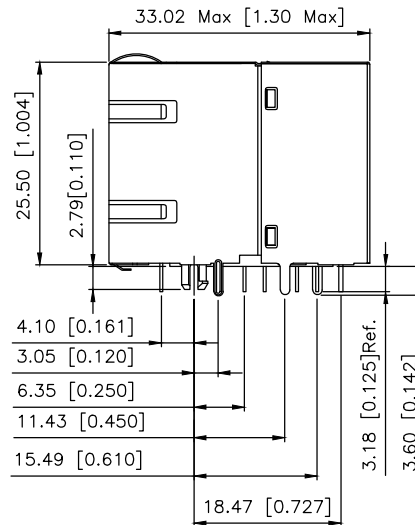
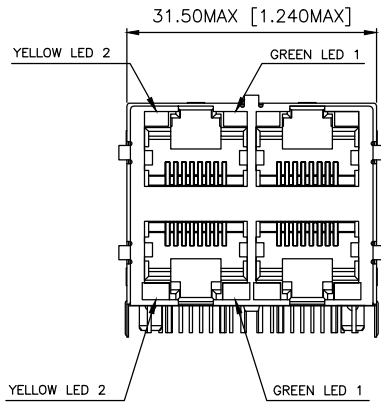


RoHS Compliance

1. MECHANICAL DIMENSIONS :



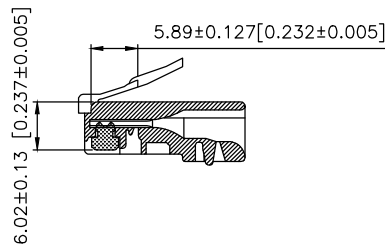
RECOMMENDED
PANEL CUTOUT DIMENSION



NOTES:

- MATERIAL:
HOUSING-PBT POLYESTER UL-94V-0
MIXED GLASS FIBER.
STANDARD COLOR-BLACK
CONTACTS-0.35mm THICK PHOS-BRONZE PLATED
WITH 30u" GOLD AND TIN IN
SOLDER AREA, AND 50u" NICKEL
PLATING IN ALL AREA.
SHIELD- SUS301 T=0.20 mm WITH TIN ON
TERMINATION END.
- CAVITY CONFORMS TO FCC RULES AND REGULATIONS
PART 68,SUBPART F.
- UNSPECIFIED TOLERANCE: .XX ±0.25[0.010]
.X ±0.30[0.012]

RECOMMENED PLUG DIMENSION:



THIS DRAWING IS A CONTROLLED DOCUMENT.
DO NOT SCALE DRAWING.

DIMENSIONS:
MM

TOLERANCES UNLESS
OTHERWISE SPECIFIED:

X	± -
X.X	± 0.3
X.XX	± 0.2
X.XXX	± 0.1
ANGLES	± -

THIRD ANGLE PROJECTION

MATERIAL
SEE NOTES

FINISH
SEE NOTES



TITLE
Stacked RJ45, W/LED, with 10/100 Mbps
LAN Magnetics, 8P, 8C, Shielded, Thru Hole.

REVISIONS	DESCRIPTION	DATE	APVD
△ -			
LTR			

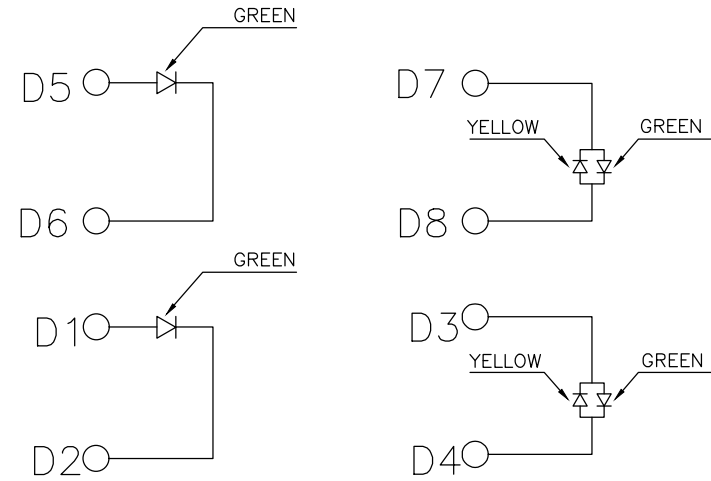
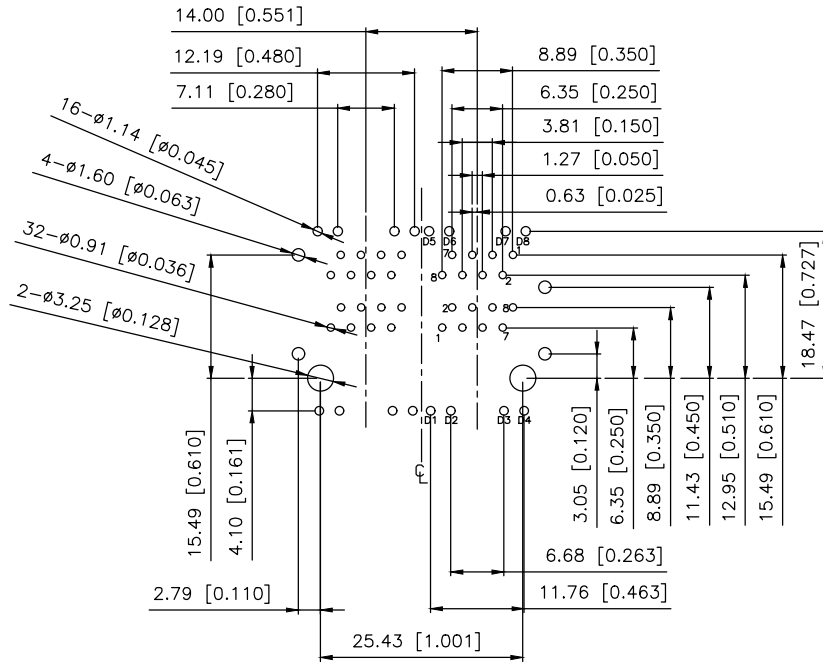
DWN	T. LI	DATE	OCT-04-2018
CHK	D. Wang		OCT-04-2018
APVD	R. Tsai		OCT-04-2018

SIZE	DRAWING NO	WEIGHT	REV	SHEET
A3	XRJH-22C-D-D62-170	- GRAMS Ref.	1	1

RoHS Compliance

2. PCB LAYOUT :

3. LED CONFIGURATION :



SUGGESTED PCB LAYOUT
TOP VIEW

Color	Lens Color	Vf(v) @20mA		Iv(mcd) @10mA		Viewing angle 2θ 1/2
		Min	Max	Min	Typ	
Green	Green Diffused	1.7	2.8	3.5	6.0	116
Green	White Diffused	1.7	2.8	3.0	6.0	116
Yellow		1.7	2.8	3.5	6.0	116

THIS DRAWING IS A CONTROLLED DOCUMENT. DO NOT SCALE DRAWING.			
DIMENSIONS: MM		TOLERANCES UNLESS OTHERWISE SPECIFIED:	
 THIRD ANGLE PROJECTION		X	±
		X.X	±
		X.XX	±
		X.XXX	±
		ANGLES	±
MATERIAL	SEE NOTES	FINISH	SEE NOTES
DWN	T. LI	DATE	OCT-04-2018
CHK	D. Wang		OCT-04-2018
APVD	R. Tsai		OCT-04-2018



TITLE
Stacked RJ45, W/LED, with 10/100 Mbps
LAN Magnetics, 8P, 8C, Shielded, Thru Hole.

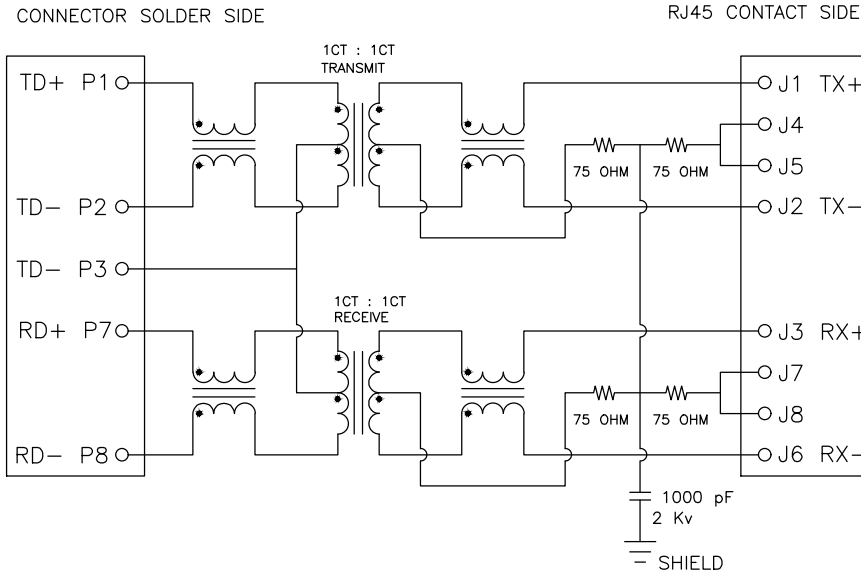
REVISIONS	DESCRIPTION	DATE	APVD

SIZE	DRAWING NO	WEIGHT	REV	SHEET
A3	XRJH-22C-D-D62-170	- GRAMS Ref.	1	2

RoHS Compliance

4. SCHEMATIC:

5. ELECTRICAL CHARACTERISTICS :



TEST NOTES:(25±5°C)

1.TR:(100KHz,0.1V);

PINS:(P1-P2):(J1-J2)=1:1±3%

PINS:(P7-P8):(J3-J6)=1:1±3%

2.LX:(100KHz,100mV,8mA, DC Bias)

PINS: (P1,P2),(P7,P8)=350uH MINIMUM

3.DCR:

PINS:(J1-J2),(J3-J6)= 1.2 OHMS MAXIMUM

4.HIPOT:

PINS(P1,P3,P2)TO(J1,J2)=1500VAC FOR 60 SECONDS

PINS(P7,P3,P8)TO(J3,J6)=1500VAC FOR 60 SECONDS

5.INSERTION LOSS:

-1.0dB MAXIMUM AT 0.3MHz TO 100MHz;

6.RETURN LOSS:

-20dB MINIMUM AT 1MHz TO 30MHz;

-15dB MINIMUM AT 30MHz TO 60MHz

-10dB MINIMUM AT 60MHz TO 80MHz

7.CROSS TALK:

-30dB MINIMUM AT 1MHz TO 100MHz

8.COMMON TO COMMON MODE REJECTION:

-30dB MINIMUM AT 1MHz TO 100MHz

XRJH-22C-D-D62-170-CTS

PRODUCT SERIES
H : LATCH UP AND STACKED

NUMBER OF PORTS
MECHANICAL TYPE
22C : 2*2 PORT, HORIZONTAL PIN,
LED ON TOP AND BOTTOM PORT

LED COLOR OPTION

PROTOCOL TYPE
D : 10/100 Mbps, 6 CORE

CUSTOMER CODE

SPECIAL CODE
0 : STANDARD

SHIELDED TYPE
7 : EMI FINGER ON ALL SIDE

LED POLARITY
1 : +-, +-

CIRCUIT TYPE

THIS DRAWING IS A CONTROLLED DOCUMENT.
DO NOT SCALE DRAWING.

DIMENSIONS:
MM TOLERANCES UNLESS
OTHERWISE SPECIFIED:

THIRD ANGLE PROJECTION
MATERIAL SEE NOTES FINISH SEE NOTES

DWN T. LI DATE OCT-04-2018
CHK D. Wang OCT-04-2018
APVD R. Tsai OCT-04-2018



TITLE
Stacked RJ45, W/LED, with 10/100 Mbps
LAN Magnetics, 8P, 8C, Shielded, Thru Hole.

SIZE DRAWING NO
A3 XRJH-22C-D-D62-170
WEIGHT - GRAMS Ref. REV 1 SHEET 3

LTN	DESCRIPTION	DATE	APVD
REVISIONS			