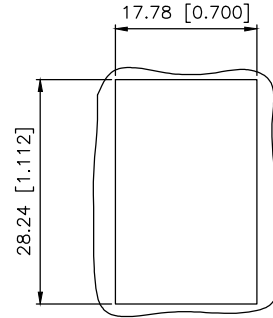
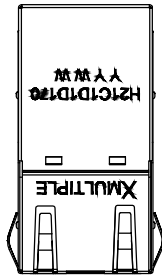


RoHS Compliance

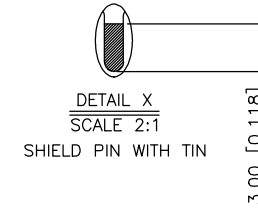
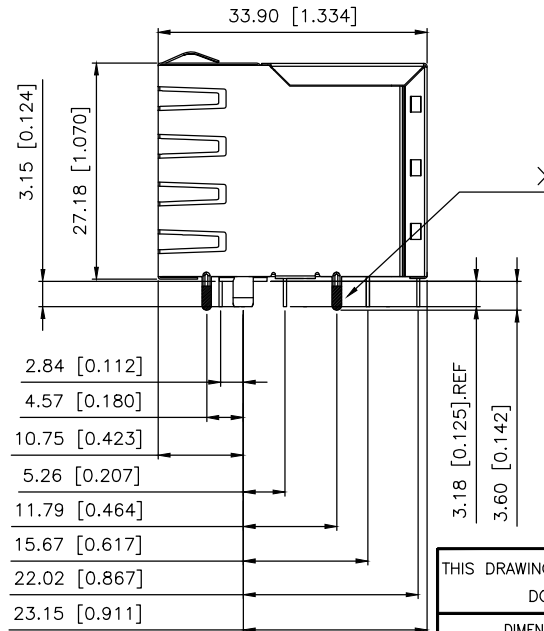
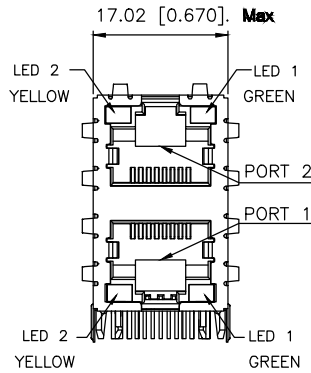
1. MECHANICAL DIMENSIONS :



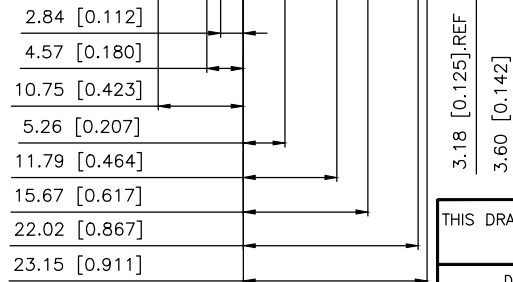
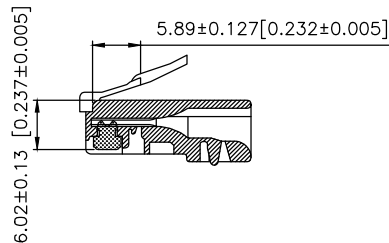
RECOMMENDED
PANEL CUTOUT DIMENSION

NOTES:

1. MATERIAL:
HOUSING-NYLON POLYESTER UL-94V-0
MIXED GLASS FIBER.
STANDARD COLOR-BLACK
HEAT DEFLECTION TEMP.260°
CONTACTS-0.35mm THICK PHOS-BRONZE PLATED
WITH 30u" GOLD AND TIN IN
SOLDER AREA, AND 50u" NICKEL
PLATING IN ALL AREA.
SHIELD- SUS301 T=0.20 mm WITH NICKEL ON
TERMINATION END.
2. OPERATING TEMPERATURE: 0°C~+70°C
3. CAVITY CONFORMS TO FCC RULES AND REGULATIONS
PART 68,SUBPART F.
4. UNSPECIFIED TOLERANCE: .XX ±0.25[0.010]
.X ±0.30[0.012]



RECOMMENED PLUG DIMENSION:



THIS DRAWING IS A CONTROLLED DOCUMENT.
DO NOT SCALE DRAWING.

DIMENSIONS: MM TOLERANCES UNLESS OTHERWISE SPECIFIED:

X	±
X.X	±0.3
X.XX	±0.2
X.XXX	±0.1
ANGLES	±

THIRD ANGLE PROJECTION MATERIAL SEE NOTES FINISH SEE NOTES



TITLE
Stacked RJ45, W/LED, with 10/100 Mbps LAN Magnetics, 8P, 7C, Shielded, Thru Hole.

△	-	-	-
LTR	DESCRIPTION	DATE	APVD
REVISIONS			

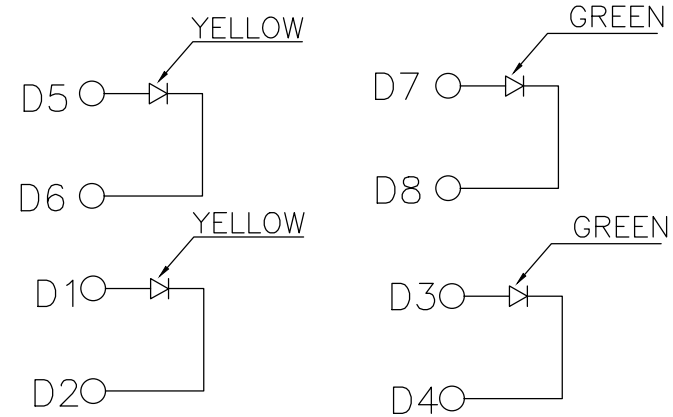
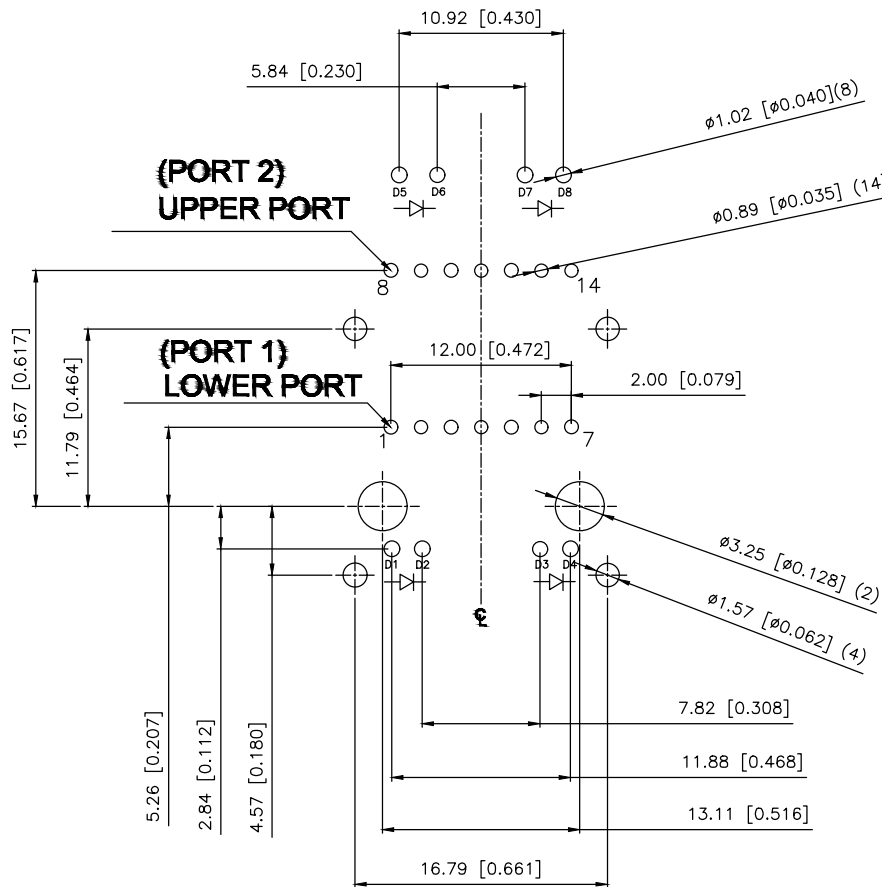
DWN	T. LI	DATE	OCT-04-2018
CHK	D. Wang		
APVD	R. Tsai		

SIZE	DRAWING NO
A3	XRJH-21C-1-D1D-170
WEIGHT	- GRAMS Ref.
REV	A
SHEET	1

RoHS Compliance

2. PCB LAYOUT :

3. LED CONFIGURATION :



Color	Lens Color	Vf(v) @20mA		Iv(mcd) @10mA		Viewing angle 2θ 1/2
		Min	Max	Min	Typ	
Yellow	Yellow Diffused	1.7	2.8	3.0	6.0	116
Green	Green Diffused	1.7	2.8	3.5	6.0	116

SUGGESTED PCB LAYOUT TOP VIEW

DIMENSIONAL TOLERANCE: .XX ±0.08[0.003]

REVISIONS	DESCRIPTION	DATE	APVD
LTR			

THIS DRAWING IS A CONTROLLED DOCUMENT. DO NOT SCALE DRAWING.	
DIMENSIONS: MM	TOLERANCES UNLESS OTHERWISE SPECIFIED:
	X ± X.X ± X.XX ± X.XXX ± ANGLES ±-
THIRD ANGLE PROJECTION	
MATERIAL SEE NOTES	FINISH SEE NOTES
DWN T. LI	DATE OCT-04-2018
CHK D. Wang	OCT-04-2018
APVD R. Tsai	OCT-04-2018



TITLE Stacked RJ45, W/LED, with 10/100 Mbps LAN Magnetics, 8P, 7C, Shielded, Thru Hole.	
SIZE A3	DRAWING NO XRJH-21C-1-D1D-170
WEIGHT - GRAMS Ref.	REV A SHEET 2

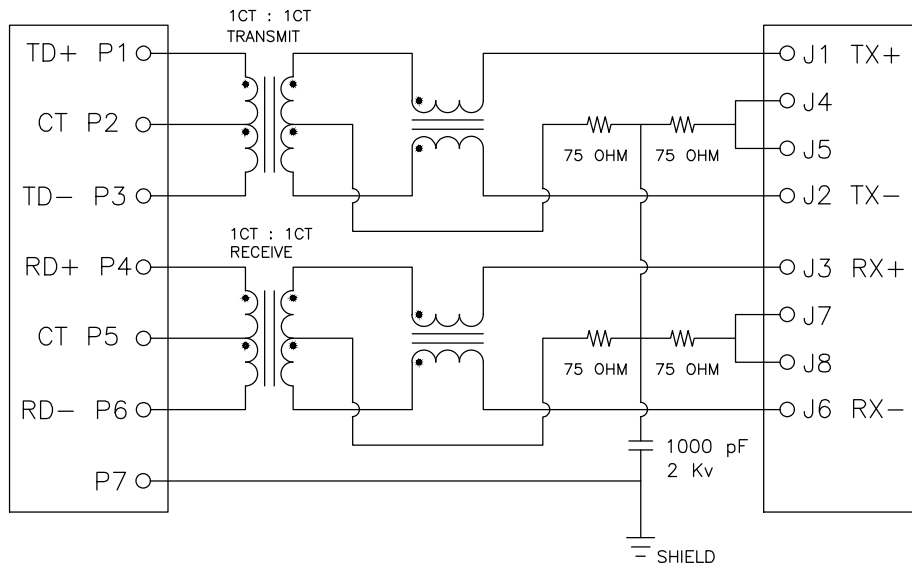
RoHS Compliance

4. LOWER PORT (PORT 1)

4-1 SCHEMATIC:

CONNECTOR SOLDER SIDE

RJ45 CONTACT SIDE



4-2 ELECTRICAL CHARACTERISTICS :

TEST NOTES:(25±5°C)

1.TR:(100KHz,0.1V);

PINS:(P1-P3):(J1-J2)=1:1±3%

PINS:(P4-P6):(J3-J6)=1:1±3%

2.LX:(100KHz,100mV,8mA, DC Bias)

PINS:(P1,P3),(P4,P6)=350uH MINIMUM

3.DCR:

PINS:(J1-J2),(J3-J6)= 1.2 OHMS MAXIMUM

4.HIPOT:

PINS(P1,P2,P3)TO(J1,J2)=1500VAC FOR 60 SECONDS

PINS(P4,P5,P6)TO(J3,J6)=1500VAC FOR 60 SECONDS

5.INSERTION LOSS:

-1.0dB MAXIMUM AT 0.3MHz TO 100MHz;

6.RETURN LOSS:

-20dB MINIMUM AT 1MHz TO 30MHz;

-15dB MINIMUM AT 30MHz TO 60MHz

-10dB MINIMUM AT 60MHz TO 80MHz

7.CROSS TALK:

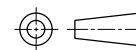
-30dB MINIMUM AT 1MHz TO 100MHz

8.COMMON TO COMMON MODE REJECTION:

-30dB MINIMUM AT 1MHz TO 100MHz

THIS DRAWING IS A CONTROLLED DOCUMENT.
DO NOT SCALE DRAWING.

DIMENSIONS:
MM TOLERANCES UNLESS
OTHERWISE SPECIFIED:



THIRD ANGLE PROJECTION

MATERIAL SEE NOTES FINISH SEE NOTES

DWN T. LI DATE OCT-04-2018

CHK D. Wang OCT-04-2018

APVD R. Tsai OCT-04-2018



TITLE
Stacked RJ45, W/LED, with 10/100 Mbps
LAN Magnetics, 8P, 7C, Shielded, Thru Hole.

SIZE DRAWING NO
A3 XRJH-21C-1-D1D-170

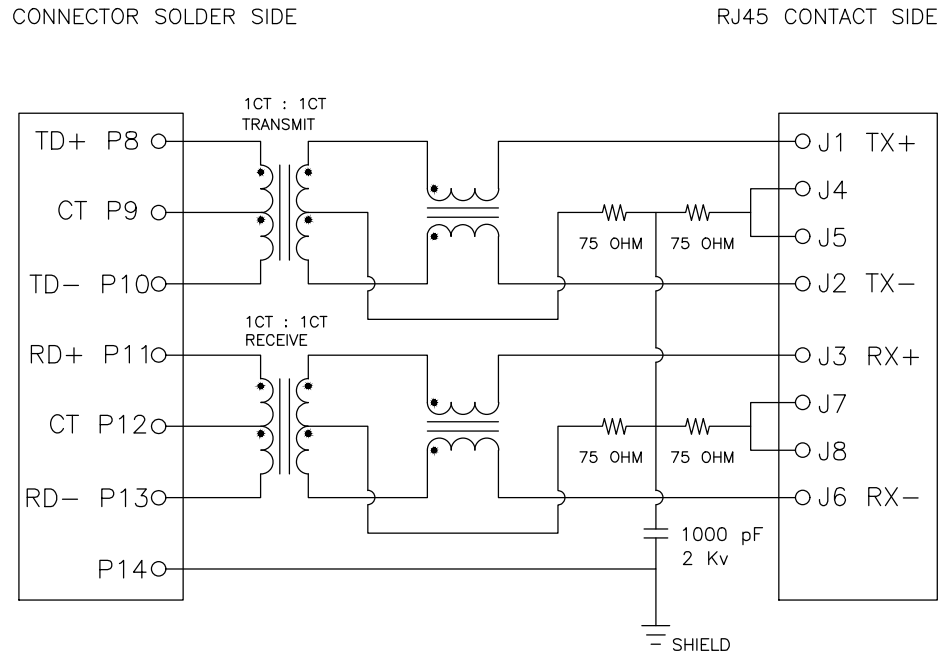
WEIGHT - GRAMS Ref. REV A SHEET 3

REVISIONS	DESCRIPTION	DATE	APVD

RoHS Compliance

5. UPPER PORT (PORT 2)

5-1 SCHEMATIC:



5-2 ELECTRICAL CHARACTERISTICS :

TEST NOTES:(25±5°C)

1.TR:(100KHz,0.1V);

PINS:(P8-P10):(J1-J2)=1:1±3%

PINS:(P11-P13):(J3-J6)=1:1±3%

2.LX:(100KHz,100mV,8mA, DC Bias)

PINS:(P8,P9),(P11,P13)=350uH MINIMUM

3.DCR:

PINS:(J1-J2),(J3-J6)= 1.2 OHMS MAXIMUM

4.HIPOT:

PINS(P8,P9,P10)TO(J1,J2)=1500VAC FOR 60 SECONDS

PINS(P11,P12,P13)TO(J3,J6)=1500VAC FOR 60 SECONDS

5.INSERTION LOSS:

-1.0dB MAXIMUM AT 0.3MHz TO 100MHz;

6.RETURN LOSS:

-20dB MINIMUM AT 1MHz TO 30MHz;

-15dB MINIMUM AT 30MHz TO 60MHz

-10dB MINIMUM AT 60MHz TO 80MHz

7.CROSS TALK:

-30dB MINIMUM AT 1MHz TO 100MHz

8.COMMON TO COMMON MODE REJECTION:

-30dB MINIMUM AT 1MHz TO 100MHz

XRJH-21C-1-D1D-170

PRODUCT SERIES
H : LATCH UP AND STACKED

NUMBER OF PORTS
MECHANICAL TYPE
21C : 2*1 PORT, HORIZONTAL PIN,
LED ON TOP AND BOTTOM PORT

LED COLOR OPTION

PROTOCOL TYPE
D : 10/100 Mbps, 4 CORE

SPECIAL CODE
0 : STANDARD

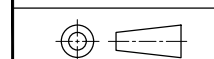
SHIELDED TYPE
7 : EMI FINGER ON ALL SIDE

LED POLARITY
1 : +-, +-

CIRCUIT TYPE

THIS DRAWING IS A CONTROLLED DOCUMENT.
DO NOT SCALE DRAWING.

DIMENSIONS:
MM



THIRD ANGLE PROJECTION

MATERIAL

SEE NOTES

DWN T. LI

CHK D. Wang

APVD R. Tsai

TOLERANCES UNLESS
OTHERWISE SPECIFIED:

X ±-
X.X ±-
X.XX ±-
X.XXX ±-
ANGLES ±-

FINISH

SEE NOTES

DATE
OCT-04-2018

OCT-04-2018

OCT-04-2018



TITLE

Stacked RJ45, W/LED, with 10/100 Mbps
LAN Magnetics, 8P, 7C, Shielded, Thru Hole.

SIZE

A3

DRAWING NO

XRJH-21C-1-D1D-170

WEIGHT

- GRAMS Ref.

REV

A

SHEET

4

REVISIONS	DESCRIPTION	DATE	APVD