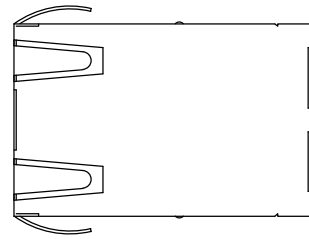


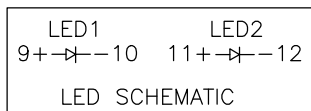
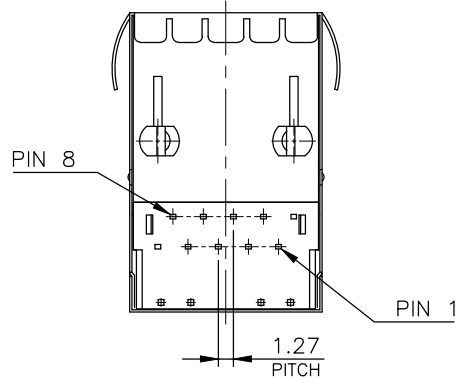
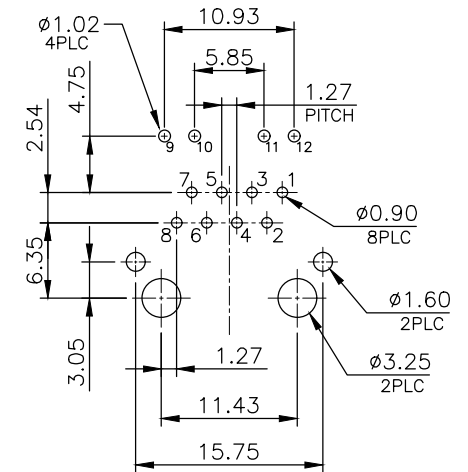
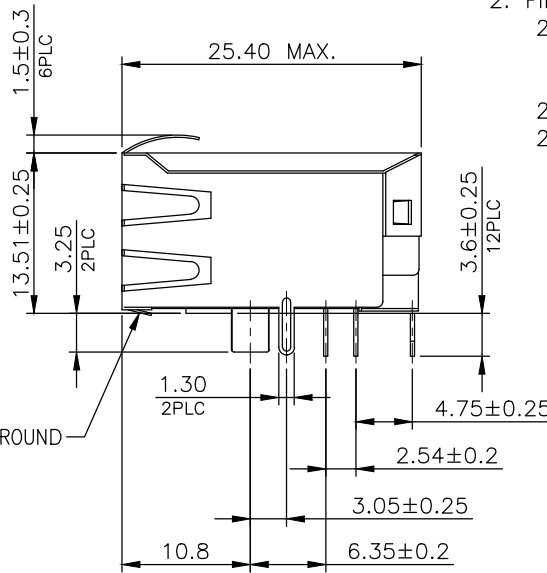
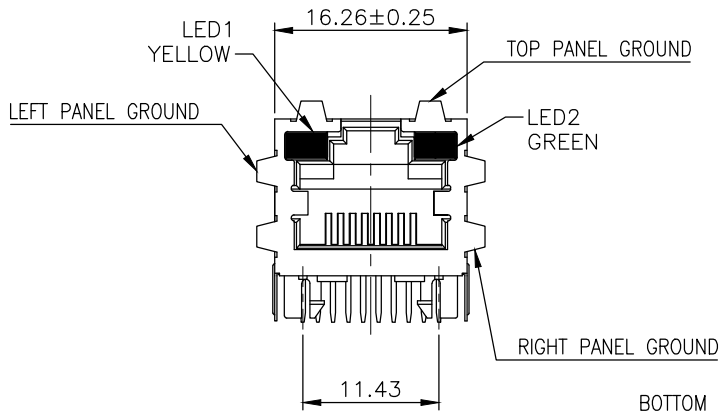
# RoHS Compliance



NOTE:  
CAVITY CONFIRMS TO FCC RULES AND REGULATIONS PART 68, SUBPART F.

1. MATERIAL:
  - 1.1 HOUSING: PBT, WITH GLASS FIBER, UL94V-0, STANDARD COLOR-BLACK.
  - 1.2 PLASTIC BRACKET: PBT, WITH GLASS FIBER, UL94V-0, STANDARD COLOR-BLACK.
  - 1.3 CONTACTS: PHOSPHOR BRONZE.
  - 1.4 SHELL: BRASS.
  - 1.5 LED SOLDER TAIL: STEEL.

2. FINISH:
  - 2.1 CONTACTS:  $0.762\mu\text{m}$  [ $30\mu''$ ] GOLD PLATED ON CONTACT AREA,  $2.54\mu\text{m}$  [ $100\mu''$ ] TIN PLATED ON SOLDER TAIL,  $1.27\mu\text{m}$  [ $50\mu''$ ] MIN. NICKEL UNDERPLATED OVERALL.
  - 2.2 SHELL:  $0.508\mu\text{m}$  [ $20\mu''$ ] MIN. NICKEL PLATED.
  - 2.3 LED SOLDER TAIL:  $2.032\mu\text{m}$  [ $80\mu''$ ] MIN. TIN PLATED.



THIS DRAWING IS A CONTROLLED DOCUMENT. DO NOT SCALE DRAWING.	
DIMENSIONS: MM	TOLERANCES UNLESS OTHERWISE SPECIFIED:
	X ± - X.X ± 0.25 X.XX ± 0.20 X.XXX ± 0.10 ANGLES ± -
MATERIAL SEE NOTES	FINISH SEE NOTES
DWN T. LI	DATE FEB-12-2018
CHK D. Wang	FEB-12-2018
APVD R. Tsai	FEB-12-2018



TITLE  
RJ45, FLAT PIN, WITH LED,  
WITH SHELL, SIDE ENTRY PCB JACK

REVISIONS	DESCRIPTION	DATE	APVD
△ -		-	-

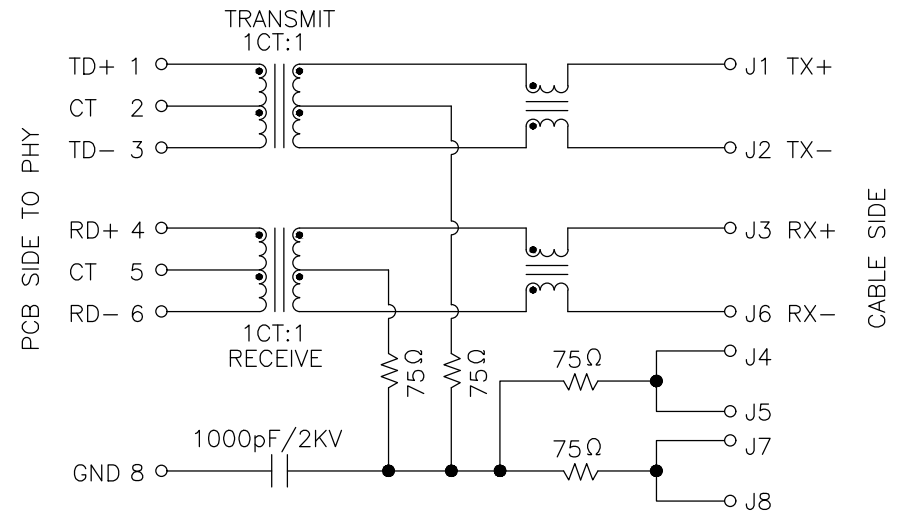
SIZE A3	DRAWING NO XRJH-01D-1-D12-170
WEIGHT - GRAMS Ref.	REV 1 SHEET 1

# RoHS Compliance

## 9801 TRANSFORMER TYPE 1A

### ELECTRICAL CHARACTERISTICS

- TURN RATIO: 1~3:J1~J2=1CT:1CT( $\pm 2\%$ ).  
4~6:J3~J6=1CT:1CT( $\pm 2\%$ ).
- OCL: 350uH MIN. AT 100KHz 100mV 8mA DC.
- INSERTION LOSS: -1.0dB MAX 1MHz to 100MHz.
- RETURN LOSS: -20dB MIN FROM 1MHz TO 10MHz  
-16dB MIN FROM 10MHz TO 30MHz  
-12dB MIN FROM 30MHz TO 60MHz  
-10dB MIN FROM 60MHz TO 80MHz
- CROSS TALK: -40dB MIN FROM 1MHz to 30MHz  
-35dB MIN FROM 30MHz TO 60MHz  
-30dB MIN FROM 60MHz TO 100MHz
- CMR: -35dB MIN FROM 1MHz TO 100MHz
- Hi-POT: 1500V AC & 2250V DC  
6S 1mA PRI TO SEC.



CONNECTOR SCHEMATIC

THIS DRAWING IS A CONTROLLED DOCUMENT. DO NOT SCALE DRAWING.	
DIMENSIONS: MM	TOLERANCES UNLESS OTHERWISE SPECIFIED:
	X ± X.X ± X.XX ± X.XXX ± ANGLES ±
THIRD ANGLE PROJECTION	
MATERIAL SEE NOTES	FINISH SEE NOTES
DWN <i>T. Li</i>	DATE FEB-12-2018
CHK <i>D. Wang</i>	FEB-12-2018
APVD <i>R. Tsai</i>	FEB-12-2018



TITLE RJ45, FLAT PIN, WITH LED, WITH SHELL, SIDE ENTRY PCB JACK	
SIZE A3	DRAWING NO XRJH-01D-1-D12-170
WEIGHT - GRAMS Ref.	REV - SHEET 2

REVISIONS	DESCRIPTION	DATE	APVD
△ -			