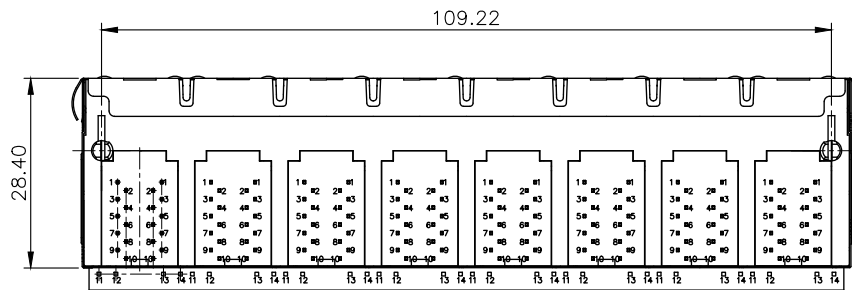
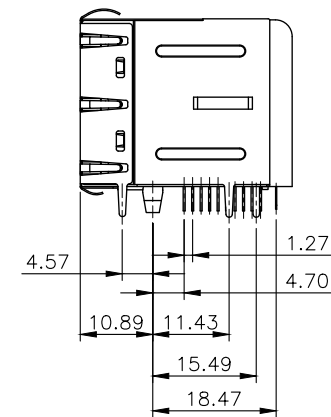
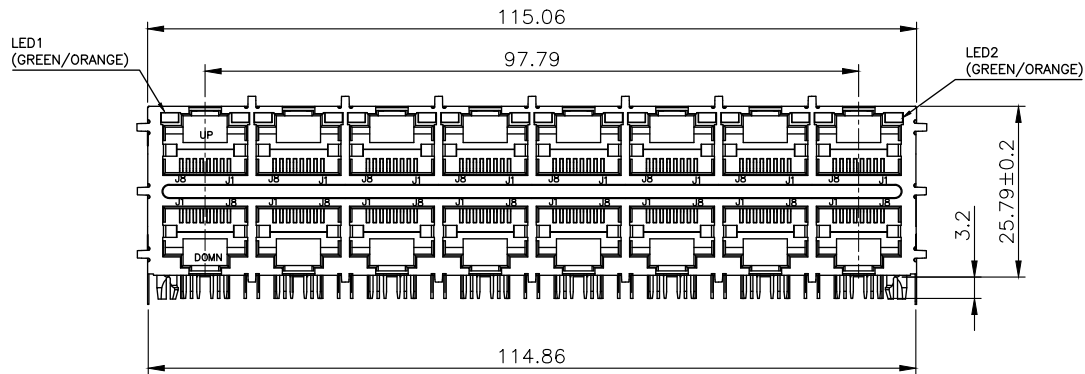


RoHS Compliance



THIS DRAWING IS A CONTROLLED DOCUMENT.
DO NOT SCALE DRAWING.

DIMENSIONS: MM
TOLERANCES UNLESS OTHERWISE SPECIFIED:

THIRD ANGLE PROJECTION
MATERIAL: SEE NOTES
FINISH: SEE NOTES

DWN: T. Li
CHK: D. Wang
APVD: R. Tsai
DATE: DEC-12-2018
DATE: DEC-12-2018
DATE: DEC-12-2018



TITLE: RJ45 2X8, WITH LEDS MAGNETICS
SIZE: A3
DRAWING NO: XMH-9812-81014-16-S4L93TQ152-A-GD
WEIGHT: - GRAMS Ref.
REV: A
SHEET: 1

REVISIONS	DESCRIPTION	DATE	APVD
△ -			

RoHS Compliance

NOTE:

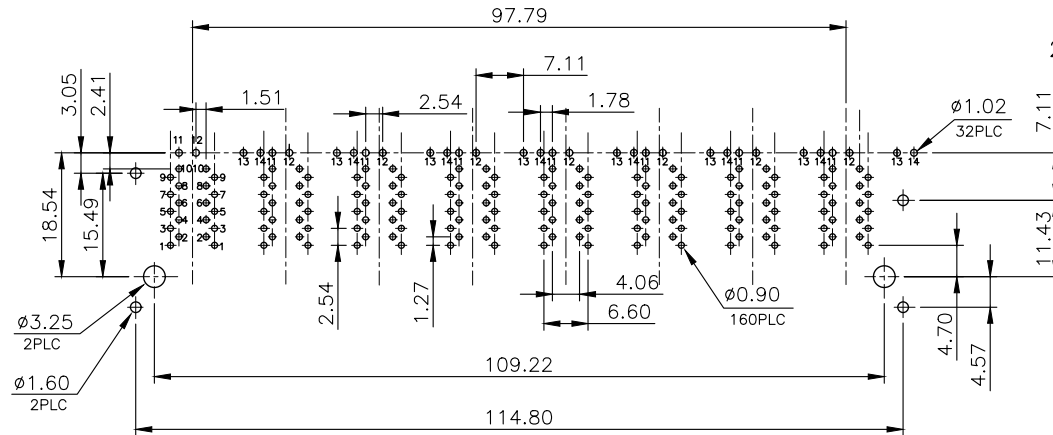
CAVITY CONFORMS TO FCC RULES AND REGULATIONS PART 68, SUBPART F.

1. MATERIAL:

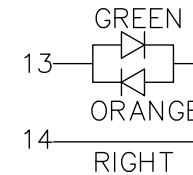
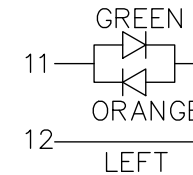
- 1.1 HOUSING: PBT, WITH GLASS FIBER, UL94V-0, STANDARD COLOR-BLACK.
- 1.2 INSERT HOUSING: PBT, WITH GLASS FIBER, UL94V-0, STANDARD COLOR-BLACK.
- 1.3 CONTACTS: PHOSPHOR BRONZE.
- 1.4 LED SOLDER TAIL: STEEL.
- 1.5 SHELL: BRASS.

2. FINISH:

- 2.1 CONTACTS: 0.152 μ m [6 μ "] GOLD PLATED ON CONTACT AREA, 2.54 μ m [100 μ "] TIN PLATED ON SOLDER TAIL, 1.27 μ m [50 μ "] MIN. NICKEL UNDERPLATED OVERALL.
- 2.2 SHELL: 0.508 μ m [20 μ "] MIN. NICKEL PLATED.
- 2.3 LED SOLDER TAIL: 2.032 μ m [80 μ "] MIN. TIN PLATED.



RECOMMENDED PCB LAYOUT
PCB THICKNESS: 1.6mm
TOLERANCE: ± 0.05 mm (TOP VIEW)



THIS DRAWING IS A CONTROLLED DOCUMENT.
DO NOT SCALE DRAWING.

DIMENSIONS: MM TOLERANCES UNLESS OTHERWISE SPECIFIED:

THIRD ANGLE PROJECTION

MATERIAL: SEE NOTES FINISH: SEE NOTES

DWN: T. LI DATE: DEC-12-2018

CHK: D. Wang DATE: DEC-12-2018

APVD: R. Tsai DATE: DEC-12-2018



TITLE: RJ45 2X8, WITH LEDS MAGNETICS

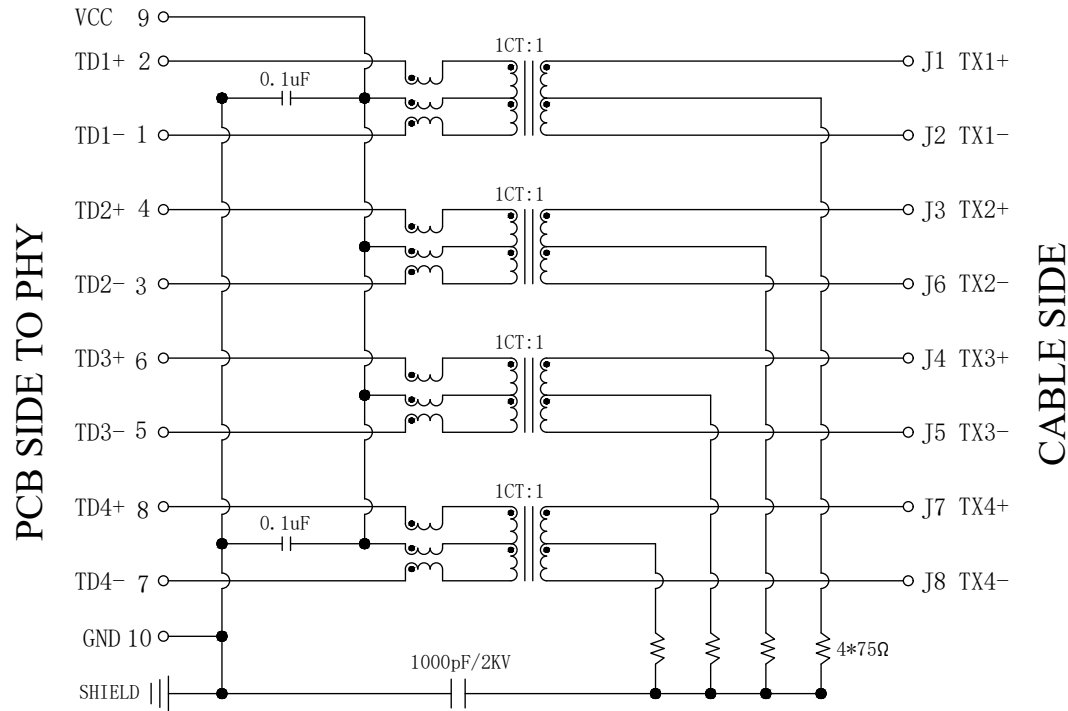
SIZE: A3 DRAWING NO: XMH-9812-81014-16-S4L93TQ152-A-GD

WEIGHT: - GRAMS Ref. REV: - SHEET: 2

REVISIONS	DESCRIPTION	DATE	APVD

RoHS Compliance

9812 TRANSFORMER TYPE Q152

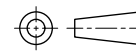


Electrical:

- Turn ratio: 2~1: J1~J2=1CT:1CT(±2%).
4~3: J3~J6=1CT:1CT(±2%).
6~5: J4~J5=1CT:1CT(±2%).
8~7: J7~J8=1CT:1CT(±2%).
- OCL: 350uH Min. at 100KHz 100mV 8mA DC.
- Insertion Loss: -1.0 dB Max 1~100MHz.
- Return loss: -20dB Min 1~10MHz;
-16dB Min 10~30MHz.
-12dB Min 30~60MHz.
-10dB Min 60~80MHz.
- Cross talk: -40dB Min 1~30MHz;
-35dB Min 30~60MHz;
-30dB Min 60~100MHz;
- CMR: -30dB Min 1~100MHz;
- Hi-Pot: 2250V DC 6S 1mA PRI TO SEC

THIS DRAWING IS A CONTROLLED DOCUMENT.
DO NOT SCALE DRAWING.

DIMENSIONS: MM TOLERANCES UNLESS OTHERWISE SPECIFIED:



THIRD ANGLE PROJECTION

MATERIAL SEE NOTES FINISH SEE NOTES

DWN T. LI DATE DEC-12-2018

CHK D. Wang DEC-12-2018

APVD R. Tsai DEC-12-2018



TITLE RJ45 2X8, WITH LEDS MAGNETICS

SIZE A3 DRAWING NO XMH-9812-81014-16-S4L93TQ152-A-GD

WEIGHT - GRAMS Ref. REV - SHEET 3

REVISIONS	DESCRIPTION	DATE	APVD