

# RoHS Compliance

NOTE:

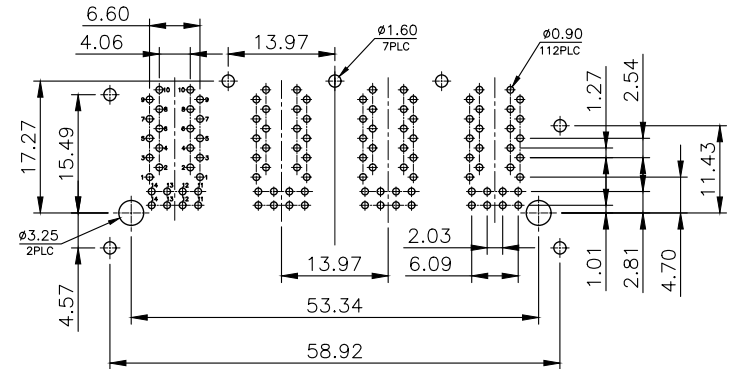
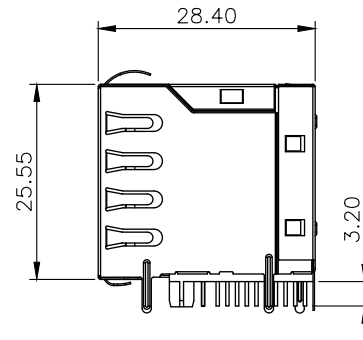
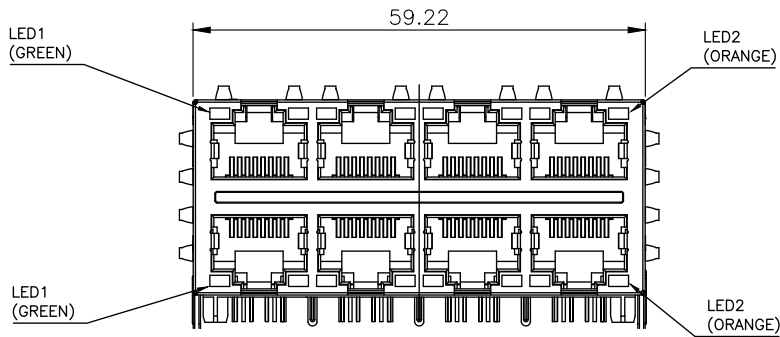
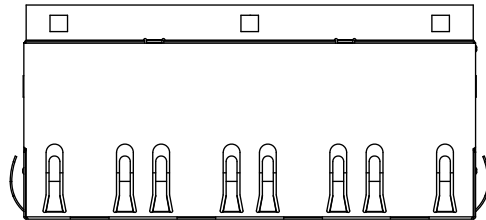
CAVITY CONFORMS TO FCC RULES AND REGULATIONS PART 68, SUBPART F.

1. MATERIAL:

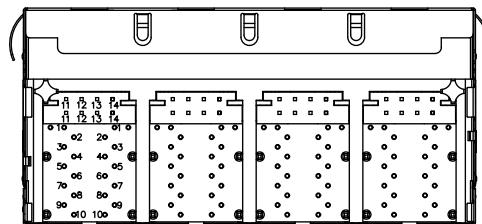
- 1.1 HOUSING: PBT, WITH GLASS FIBER, UL94V-0, STANDARD COLOR-BLACK.
- 1.2 INSERT HOUSING: PBT, WITH GLASS FIBER, UL94V-0, STANDARD COLOR-BLACK.
- 1.3 CONTACTS: PHOSPHOR BRONZE.
- 1.4 LED SOLDER TAIL: STEEL.
- 1.5 SHELL: BRASS.

2. FINISH:

- 2.1 CONTACTS: 0.762 $\mu$ m [30 $\mu$ '] GOLD PLATED ON CONTACT AREA, 2.54 $\mu$ m [100 $\mu$ '] TIN PLATED ON SOLDER TAIL, 1.27 $\mu$ m [50 $\mu$ '] MIN. NICKEL UNDERPLATED OVERALL.
- 2.2 SHELL: 0.508 $\mu$ m [20 $\mu$ '] MIN. NICKEL PLATED.
- 2.3 LED SOLDER TAIL: 2.032 $\mu$ m [80 $\mu$ '] MIN. TIN PLATED.



RECOMMENDED PCB LAYOUT  
PCB THICKNESS: 1.6mm  
TOLERANCE:  $\pm 0.05$ mm (TOP VIEW)



THIS DRAWING IS A CONTROLLED DOCUMENT.  
DO NOT SCALE DRAWING.

DIMENSIONS: MM  
TOLERANCES UNLESS OTHERWISE SPECIFIED:

	X $\pm$
	X.X $\pm 0.30$
	X.XX $\pm 0.25$
	X.XXX $\pm 0.10$
	ANGLES $\pm$

MATERIAL	FINISH
SEE NOTES	SEE NOTES
DWN	DATE
T. LI	SEP-11-2018
CHK	
D. Wang	SEP-11-2018
APVD	
R. Tsai	SEP-11-2018



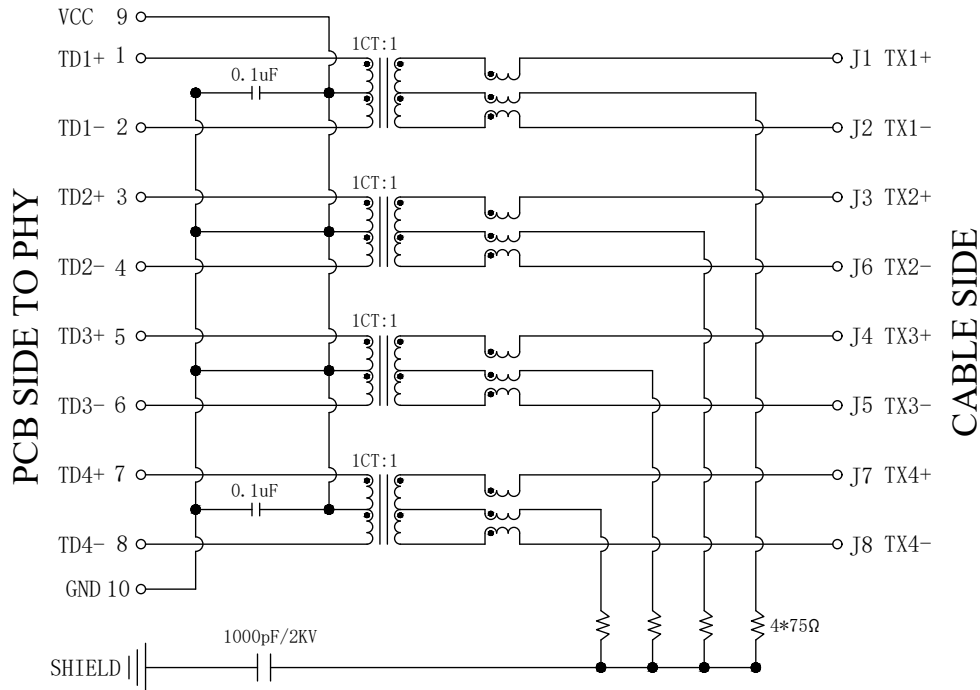
TITLE  
RJ45, 2X4 WITH SHELL, WITH LED'S, WITH TRANSFORMER, SIDE ENTRY PCB JACK

SIZE	DRAWING NO
A3	XMH-9812-81012-8-S4L46TP-C-GD
WEIGHT	REV
- GRAMS Ref.	A
	SHEET 1

REVISIONS	DESCRIPTION	DATE	APVD
△ -		-	-

# RoHS Compliance

## 9812 TRANSFORMER TYPE P



### Electrical:

- Turn ratio: 1~2: J1~J2=1CT:1CT(±2%).  
3~4: J3~J6=1CT:1CT(±2%).  
5~6: J4~J5=1CT:1CT(±2%).  
7~8: J7~J8=1CT:1CT(±2%).
- OCL: 350uH Min. at 100KHz 100mV 8mA DC.
- Insertion Loss: -1.0 dB Max 1~100MHz.
- Return loss: -20dB Min 1~10MHz;  
-16dB Min 10~30MHz.  
-12dB Min 30~60MHz.  
-10dB Min 60~80MHz.
- Cross talk: -40dB Min 1~30MHz;  
-35dB Min 30~60MHz;  
-30dB Min 60~100MHz;
- CMR: -35dB Min 1~100MHz;
- Hi-Pot: 2250V DC 6S 1mA PRI TO SEC

THIS DRAWING IS A CONTROLLED DOCUMENT.  
DO NOT SCALE DRAWING.

DIMENSIONS: MM  
TOLERANCES UNLESS OTHERWISE SPECIFIED:

THIRD ANGLE PROJECTION  
MATERIAL: SEE NOTES  
FINISH: SEE NOTES

DWN: T. LI  
CHK: D. Wang  
APVD: R. Tsai  
DATE: SEP-11-2018  
DATE: SEP-11-2018  
DATE: SEP-11-2018



TITLE: RJ45, 2X4 WITH SHELL, WITH LED'S, WITH TRANSFORMER, SIDE ENTRY PCB JACK

SIZE: A3  
DRAWING NO: XMH-9812-81012-8-S4L46TP-C-GD  
WEIGHT: - GRAMS Ref.  
REV: -  
SHEET: 2

LTR	DESCRIPTION	DATE	APVD
REVISIONS			