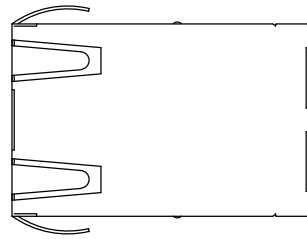


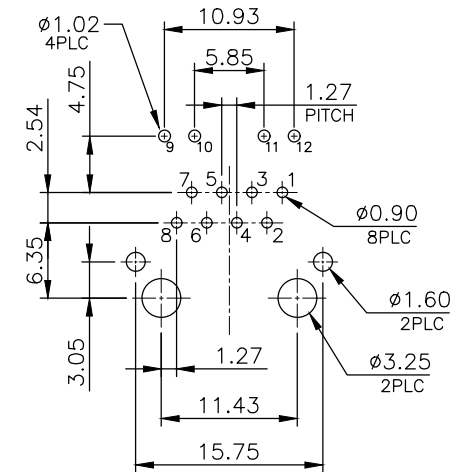
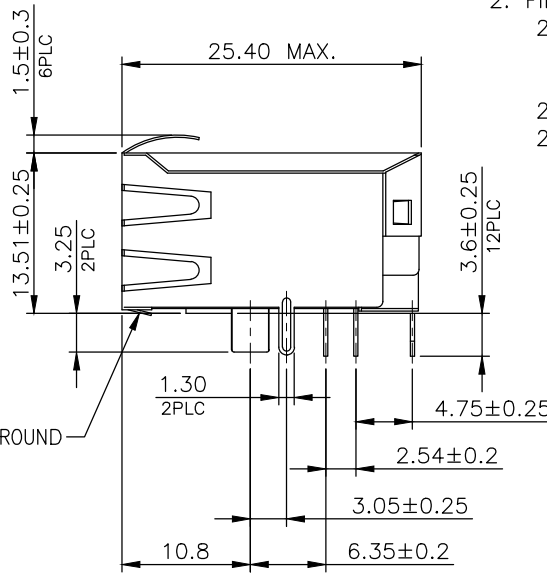
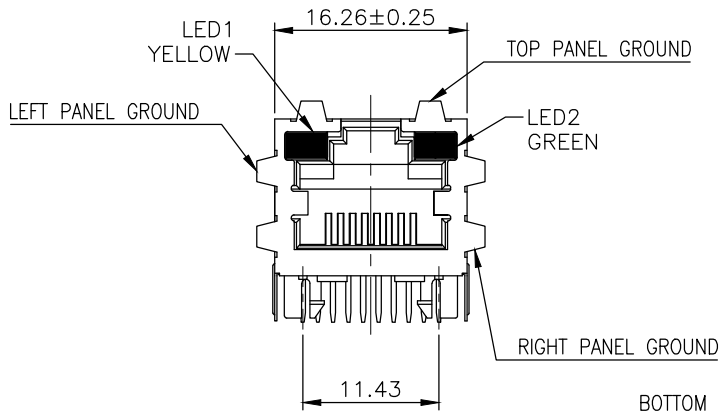
# RoHS Compliance



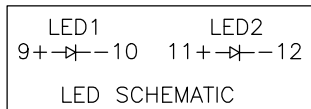
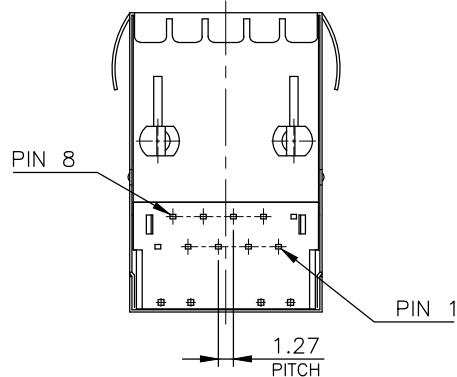
NOTE:  
CAVITY CONFIRMS TO FCC RULES AND REGULATIONS PART 68, SUBPART F.

1. MATERIAL:
  - 1.1 HOUSING: PBT, WITH GLASS FIBER, UL94V-0, STANDARD COLOR-BLACK.
  - 1.2 PLASTIC BRACKET: PBT, WITH GLASS FIBER, UL94V-0, STANDARD COLOR-BLACK.
  - 1.3 CONTACTS: PHOSPHOR BRONZE.
  - 1.4 SHELL: BRASS.
  - 1.5 LED SOLDER TAIL: STEEL.

2. FINISH:
  - 2.1 CONTACTS: 0.762μm [30μ"] GOLD PLATED ON CONTACT AREA, 2.54μm [100μ"] TIN PLATED ON SOLDER TAIL, 1.27μm [50μ"] MIN. NICKEL UNDERPLATED OVERALL.
  - 2.2 SHELL: 0.508μm [20μ"] MIN. NICKEL PLATED.
  - 2.3 LED SOLDER TAIL: 2.032μm [80μ"] MIN. TIN PLATED.



RECOMMENDED PCB LAYOUT  
PCB THICKNESS: 1.6mm  
TOLERANCE: ±0.05mm (TOP VIEW)



THIS DRAWING IS A CONTROLLED DOCUMENT. DO NOT SCALE DRAWING.	
DIMENSIONS: MM	TOLERANCES UNLESS OTHERWISE SPECIFIED:
	X ± - X.X ± 0.25 X.XX ± 0.20 X.XXX ± 0.10 ANGLES ± -
THIRD ANGLE PROJECTION	
MATERIAL SEE NOTES	FINISH SEE NOTES
DWN T. LI	DATE FEB-12-2018
CHK D. Wang	FEB-12-2018
APVD R. Tsai	FEB-12-2018



TITLE  
RJ45, FLAT PIN, WITH LED,  
WITH SHELL, SIDE ENTRY PCB JACK

REVISIONS	DESCRIPTION	DATE	APVD
△ -		-	-
LTR	DESCRIPTION	DATE	APVD

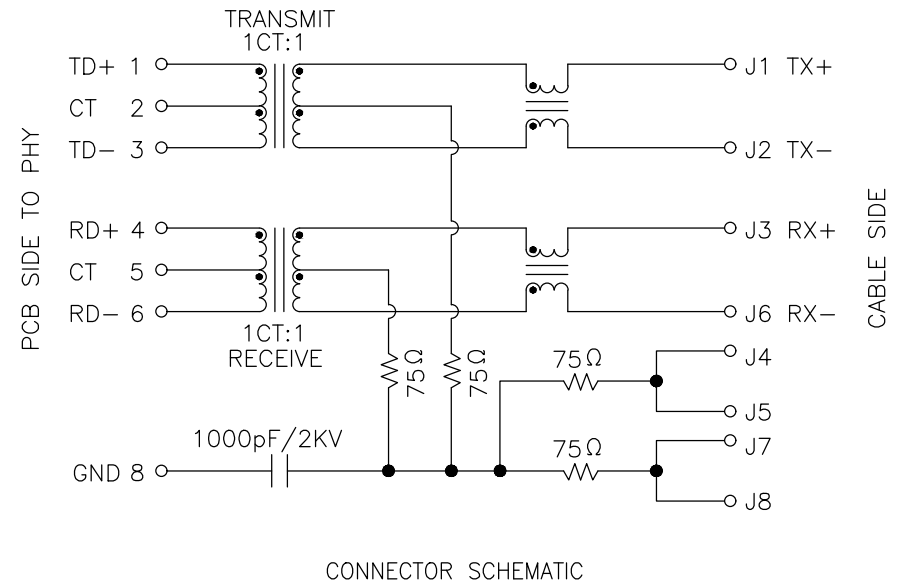
SIZE A3	DRAWING NO XMH-9801-8812-140D-L2T1-A-GD
WEIGHT - GRAMS Ref.	REV 1 SHEET 1

# RoHS Compliance

## 9801 TRANSFORMER TYPE 1A

### ELECTRICAL CHARACTERISTICS

1. TURN RATIO: 1~3:J1~J2=1CT:1CT( $\pm 2\%$ ).  
4~6:J3~J6=1CT:1CT( $\pm 2\%$ ).
2. OCL: 350uH MIN. AT 100KHz 100mV 8mA DC.
3. INSERTION LOSS: -1.0dB MAX 1MHz to 100MHz.
4. RETURN LOSS: -20dB MIN FROM 1MHz TO 10MHz  
-16dB MIN FROM 10MHz TO 30MHz  
-12dB MIN FROM 30MHz TO 60MHz  
-10dB MIN FROM 60MHz TO 80MHz
5. CROSS TALK: -40dB MIN FROM 1MHz to 30MHz  
-35dB MIN FROM 30MHz TO 60MHz  
-30dB MIN FROM 60MHz TO 100MHz
6. CMR: -35dB MIN FROM 1MHz TO 100MHz
7. Hi-POT: 1500V AC & 2250V DC  
6S 1mA PRI TO SEC.



THIS DRAWING IS A CONTROLLED DOCUMENT. DO NOT SCALE DRAWING.			
DIMENSIONS: MM		TOLERANCES UNLESS OTHERWISE SPECIFIED:	
 THIRD ANGLE PROJECTION		X	$\pm$
		X.X	$\pm$
MATERIAL SEE NOTES		X.XX	$\pm$
		X.XXX	$\pm$
FINISH SEE NOTES		ANGLES	$\pm$
DWN	T. LI	DATE	FEB-12-2018
CHK	D. Wang	DATE	FEB-12-2018
APVD	R. Tsai	DATE	FEB-12-2018



TITLE  
RJ45, FLAT PIN, WITH LED,  
WITH SHELL, SIDE ENTRY PCB JACK

REVISIONS	DESCRIPTION	DATE	APVD
△ -		-	-

SIZE	DRAWING NO	WEIGHT	REV	SHEET
A3	XMH-9801-8812-140D-L2T1-A-GD	- GRAMS Ref.	-	2