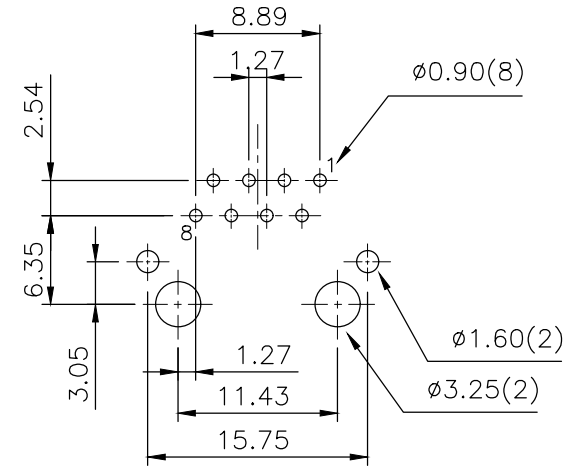
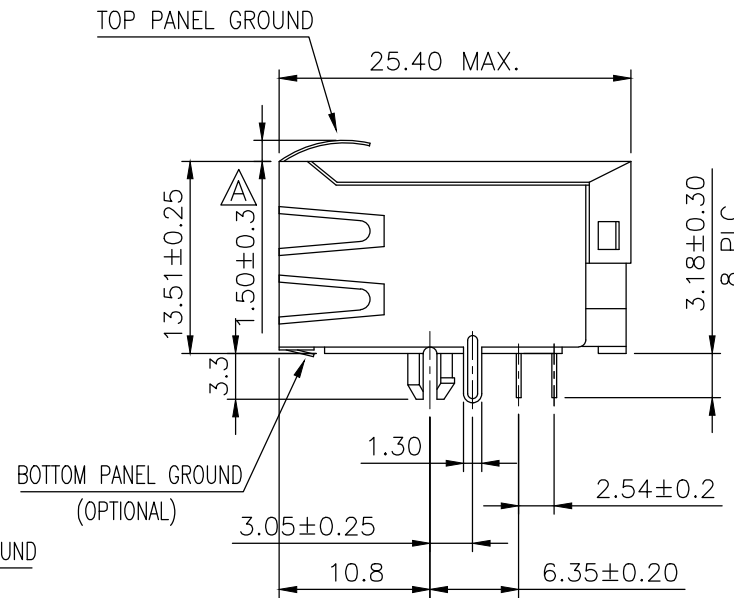
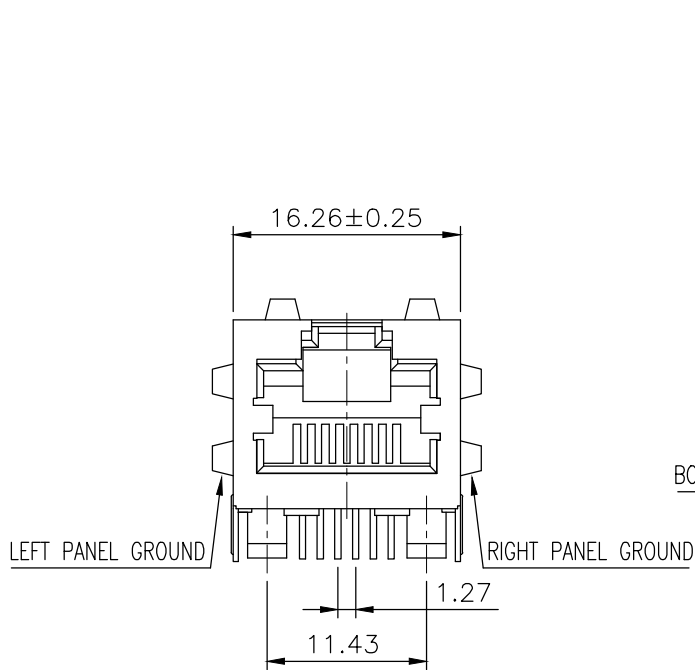
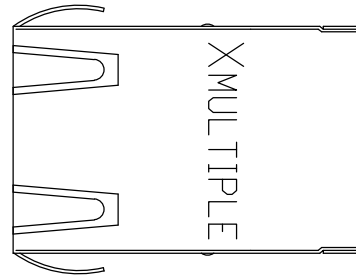


RoHS Compliance

MATERIAL:

- HOUSING—DSM STANYL TE250F6 (NYLON-46)
HEAT DEFLECTION TEMP.290°
BLUE COLOR(P285C), UL94V-0
- CONTACTS—0.35mm THICK PHOS-BRONZE PLATED
WITH HARD GOLD AND GOLD FLASH ON.
SOLDER AREA.
- SHIELD—0.20mm THICK COPPER ALLOY,
PLATED WITH NICKEL.

CAVITY CONFIRMS TO FCC RULES AND REGULATIONS
PART 68,SUBPART F.



PCB LAYOUT

Ref.

THIS DRAWING IS A CONTROLLED DOCUMENT.
DO NOT SCALE DRAWING.

DIMENSIONS: MM
TOLERANCES UNLESS OTHERWISE SPECIFIED:

0 PLC ± -
1 PLC ± 0.30
2 PLC ± 0.20
3 PLC ± 0.10
ANGLES ± -

THIRD ANGLE PROJECTION
MATERIAL SEE NOTES
FINISH SEE NOTES



TITLE SINGLE PORT, RJ45, WITHOUT LED
DIP TYPE, SIDE ENTRY.

REVISIONS	DESCRIPTION	DATE	APVD
△ -		-	-
LTR			

DWN	T. LI	DATE	OCT-04-2018
CHK	D. Wang		OCT-04-2018
APVD	R. Tsai		OCT-04-2018

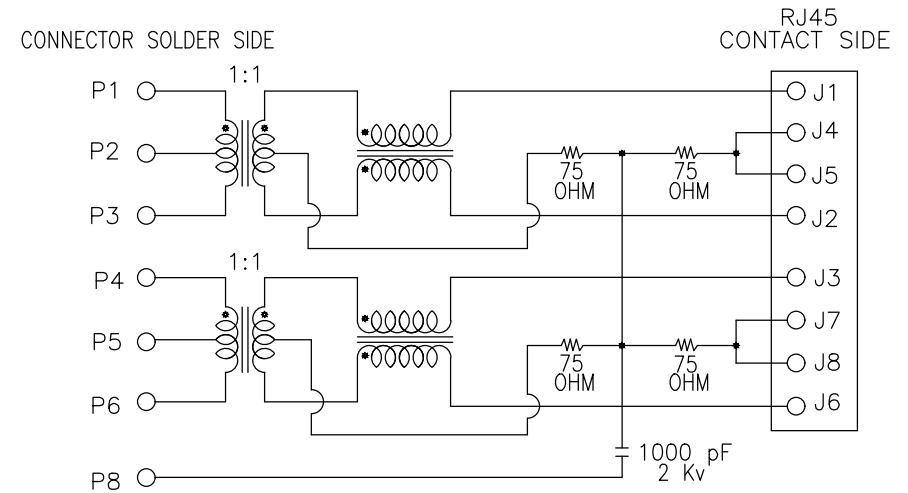
SIZE	DRAWING NO	WEIGHT	REV	SHEET
A3	XMH-9801-8812-130D-T1-A-LFG	- GRAMS Ref.	2	1

RoHS Compliance

9801 TRANSFORMER TYPE 1

Specification :

Item	Parameter	Condition	Min.	Typ.	Max.	Unit	REMARK
1	Insertion loss	1-100 MHz			-1	dB	
2	Return loss	1-30 MHz	-20			dB	
		30-60 MHz	-15			dB	
		60-80 MHz	-12			dB	
3	Primary Inductance @100KHz, 0.1Vrms, 8mA DC BIAS	(J1-J2), (J3-J6)	350			uH	
4	Crosstalk	1-100 MHz	-35			dB	
5	Hipot	Vrms	1.5			kV	
6	COMMON MODE REJECTION	1-100 MHz	-35			dB	



CONNECTOR SCHEMATIC

THIS DRAWING IS A CONTROLLED DOCUMENT. DO NOT SCALE DRAWING.			
DIMENSIONS: MM	TOLERANCES UNLESS OTHERWISE SPECIFIED:		
 THIRD ANGLE PROJECTION	0 PLC ± - 1 PLC ± - 2 PLC ± - 3 PLC ± - ANGLES ± -	TITLE SINGLE PORT, RJ45, WITHOUT LED DIP TYPE, SIDE ENTRY.	
MATERIAL SEE NOTES	FINISH SEE NOTES		
DWN <i>T. Li</i>	DATE OCT-04-2018	SIZE A3	DRAWING NO XMH-9801-8812-130D-T1-A-LFG
LTR	DESCRIPTION	DATE	APVD
REVISIONS		APVD <i>R. Tsai</i>	WEIGHT - GRAMS Ref. REV 2 SHEET 2