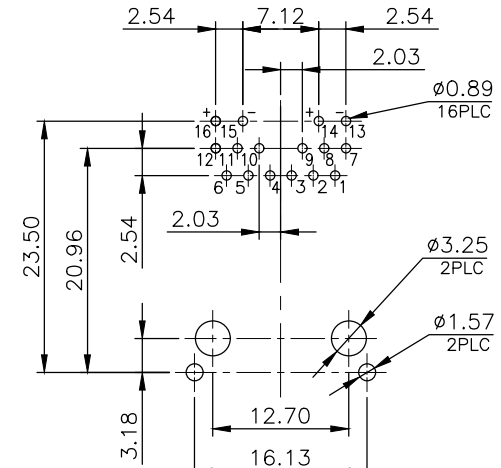
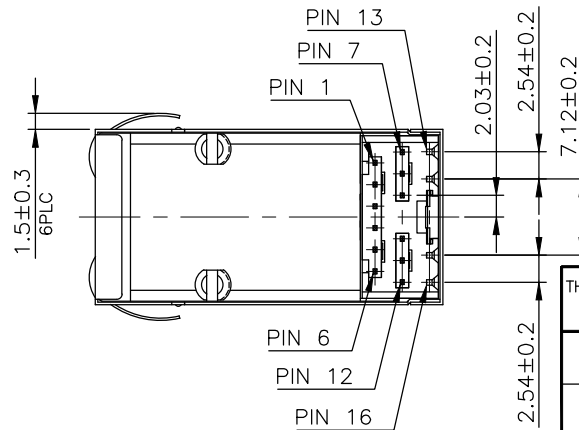
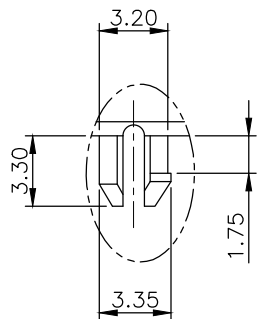
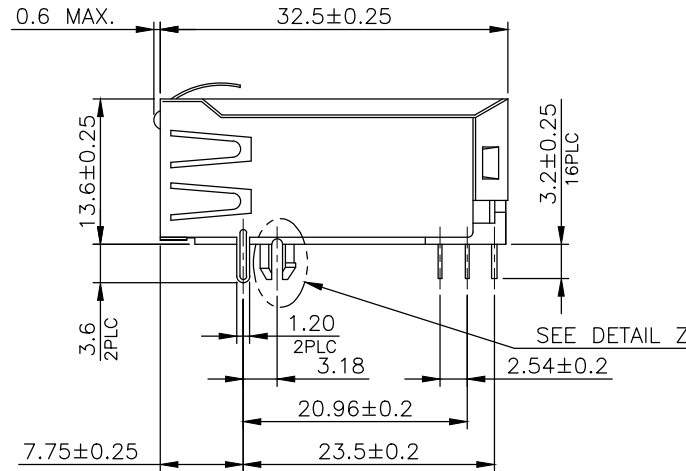
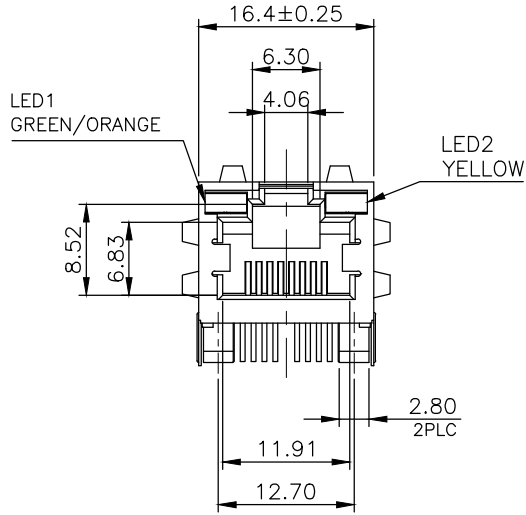
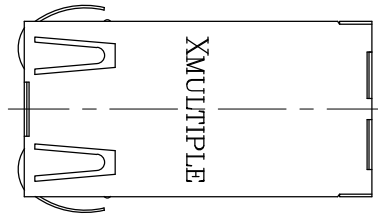
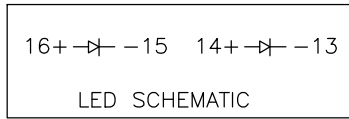


RoHS Compliance



NOTE:
CAVITY CONFIRMS TO FCC RULES AND REGULATIONS PART 68, SUBPART F.

- MATERIAL:
 - HOUSING: PBT, WITH GLASS FIBER, UL94V-0, STANDARD COLOR-BLACK.
 - INSERT HOUSING: PBT, WITH GLASS FIBER, UL94V-0, STANDARD COLOR-BLACK.
 - LED COVER: PBT, WITH GLASS FIBER, UL94V-0, STANDARD COLOR-BLACK.
 - CONTACTS: PHOSPHOR BRONZE.
 - SHELL: BRASS.
 - LED SOLDER TAIL: STEEL.
- FINISH:
 - CONTACTS: 0.762μm [30μ"] GOLD PLATED ON CONTACT AREA, GOLD FLASH ON SOLDER TAIL, 1.27μm [50μ"] MIN. NICKEL UNDERPLATED OVERALL.
 - SHELL: 0.508μm [20μ"] MIN. NICKEL PLATED.
 - LED SOLDER TAIL: 2.032μm [80μ"] MIN. TIN PLATED.

THIS DRAWING IS A CONTROLLED DOCUMENT. DO NOT SCALE DRAWING.	
DIMENSIONS: MM	TOLERANCES UNLESS OTHERWISE SPECIFIED:
	0 PLC ± - 1 PLC ± 0.25 2 PLC ± 0.13 3 PLC ± 0.05 ANGLES ± -
THIRD ANGLE PROJECTION	
MATERIAL SEE NOTES	FINISH SEE NOTES
DWN <i>T. LI</i>	DATE DEC-08-2014
CHK <i>D. Wang</i>	DEC-08-2014
APVD <i>R. Tsai</i>	DEC-08-2014



TITLE		SINGLE PORTS, WITH SHELL, GIGABIT, WITH LED'S, VERSION	
SIZE A3	DRAWING NO XMH-9771-8812-S3L6T1-F	WEIGHT - GRAMS Ref.	REV 6 SHEET 1

REVISIONS	DESCRIPTION	DATE	APVD

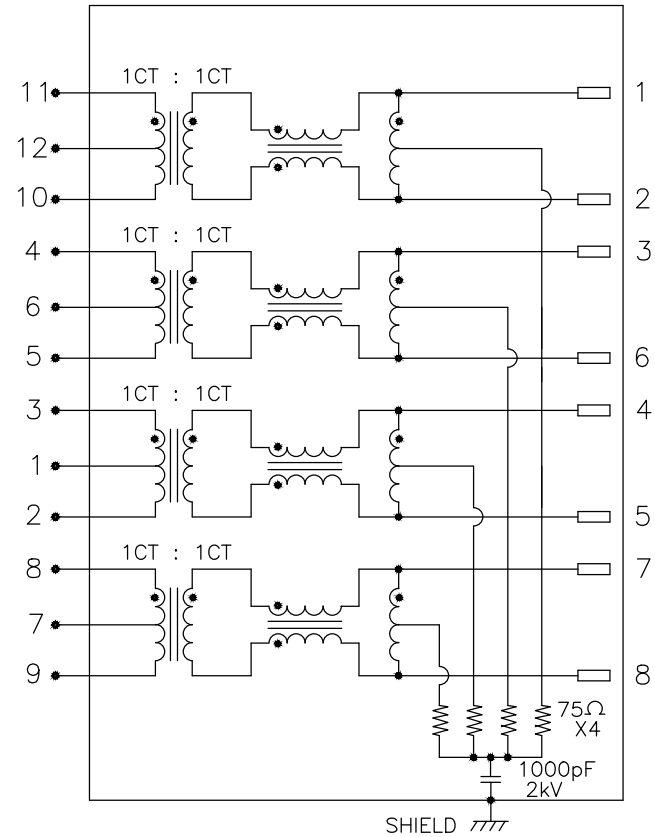
RoHS Compliance

9771 TRANSFORMER TYPE 1

Specification :

Item	Parameter	Condition	Min.	Typ.	Max.	Unit	REMARK
1	Insertion loss	0.1-100 MHz			-1	dB	
2	Return loss	0.5-40 MHz	-18			dB	NOTE 1
		40-100 MHz				dB	
3	OCL	100 KHz				μH	
4	Crosstalk	100 KHz-100 MHz				dB	NOTE 2
5	Hipot	Vrms	1.5			kV	
6	Turns Ratio (Chip : Cable)	TX: 1 : 1 RX: 1 : 1				CT	
7	Direct Current resistance					Ω	

* NOTE 1: Greater than $(12-20 \text{ Log } (f/80\text{MHz}))$ dB
 2: Greater than $(33-20 \text{ Log } (f/50\text{MHz}))$ dB



CONNECTOR SCHEMATIC

THIS DRAWING IS A CONTROLLED DOCUMENT. DO NOT SCALE DRAWING.	
DIMENSIONS: MM	TOLERANCES UNLESS OTHERWISE SPECIFIED:
	0 PLC ± - 1 PLC ± 0.25 2 PLC ± 0.13 3 PLC ± 0.05 ANGLES ± -
MATERIAL SEE NOTES	FINISH SEE NOTES
DWN <i>T. Li</i>	DATE JUL-17-2015
CHK <i>D. Wang</i>	JUL-17-2015
APVD <i>R. Tsai</i>	JUL-17-2015



TITLE
SINGLE PORTS, WITH SHELL,
GIGABIT, WITH LED'S, VERSION

REVISIONS	DESCRIPTION	DATE	APVD
△ -		-	-

SIZE A3	DRAWING NO XMH-9771-8812-S3L6T1-F
WEIGHT - GRAMS Ref.	REV - SHEET 2