

RoHS Compliance

NOTE:

CAVITY CONFORMS TO FCC RULES AND REGULATIONS PART 68, SUBPART F.

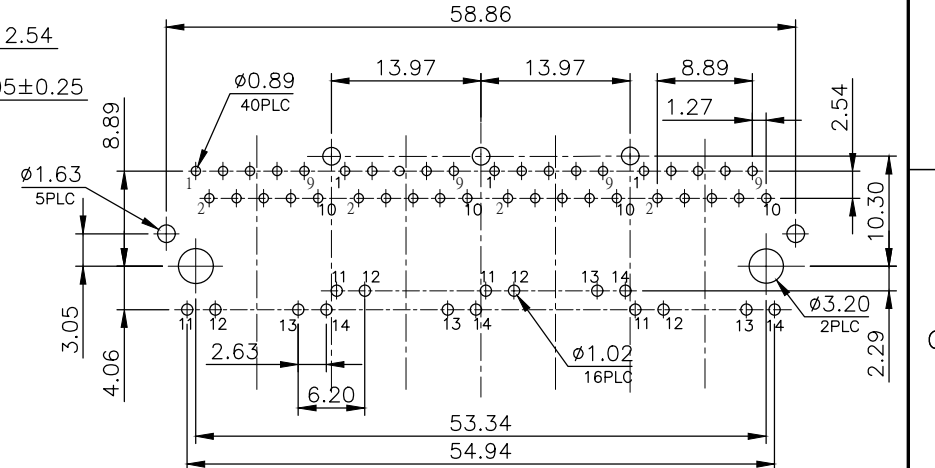
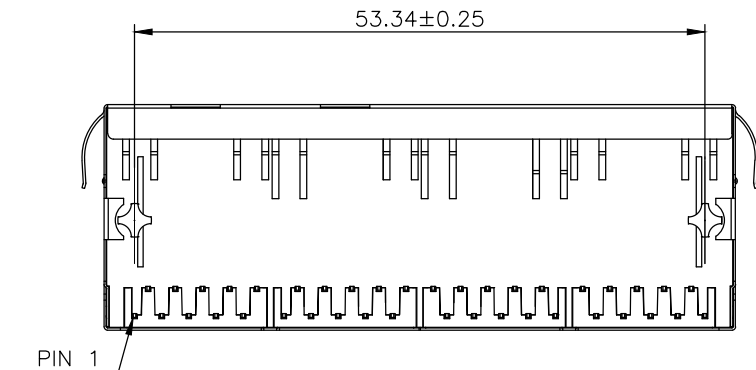
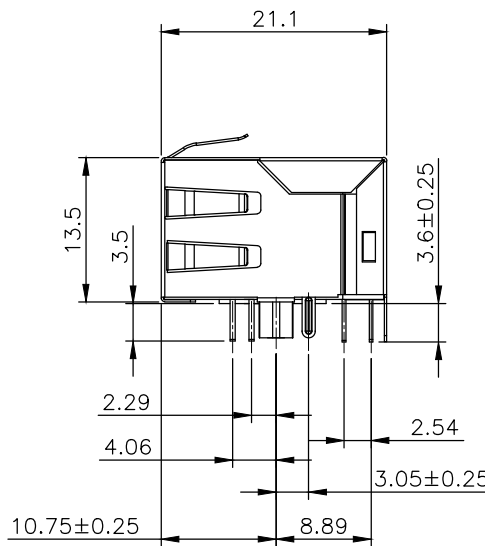
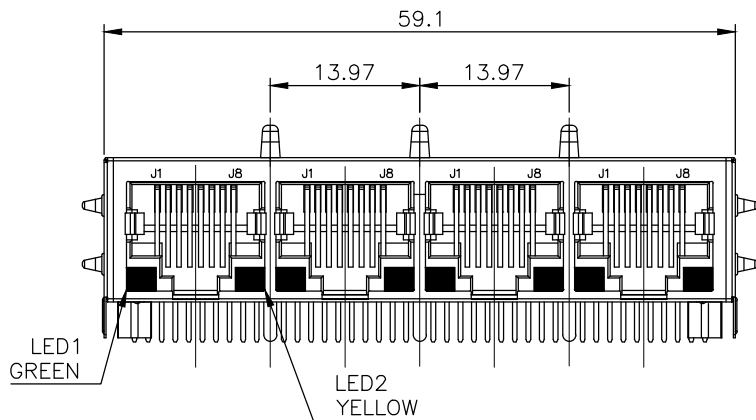
1. MATERIAL:

- 1.1 HOUSING: PBT, WITH GLASS FIBER, UL94V-0, STANDARD COLOR-BLACK.
- 1.2 INSERT HOUSING: PBT, WITH GLASS FIBER, UL94V-0, STANDARD COLOR-BLACK.
- 1.3 CONTACTS: PHOSPHOR BRONZE.
- 1.4 LED SOLDER TAIL: STEEL.
- 1.5 SHELL: BRASS.

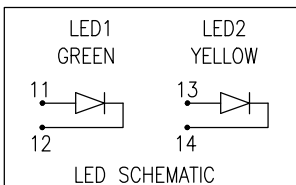
2. FINISH:

- 2.1 CONTACTS: 0.152 μm [6 $\mu\text{''}$] GOLD PLATED ON CONTACT AREA, 2.54 μm [100 $\mu\text{''}$] TIN PLATED ON SOLDER TAIL, 1.27 μm [50 $\mu\text{''}$] MIN. NICKEL UNDERPLATED OVERALL.
- 2.2 SHELL: 0.508 μm [20 $\mu\text{''}$] MIN. NICKEL PLATED.
- 2.3 LED SOLDER TAIL: 2.032 μm [80 $\mu\text{''}$] MIN. TIN PLATED.

Operating Temperature: -40°C to +85°C



RECOMMENDED PCB LAYOUT
PCB THICKNESS: 1.6mm
TOLERANCE: ±0.05mm (TOP VIEW)



REVISIONS	DESCRIPTION	DATE	APVD
△ -		-	-
LTR			

THIS DRAWING IS A CONTROLLED DOCUMENT. DO NOT SCALE DRAWING.	
DIMENSIONS: MM	TOLERANCES UNLESS OTHERWISE SPECIFIED:
	X ± - X.X ± 0.25 X.XX ± 0.20 X.XXX ± 0.10 ANGLES ± -
MATERIAL SEE NOTES	FINISH SEE NOTES
DWN T. LI	DATE JUL-13-2017
CHK D. Wang	JUL-13-2017
APVD R. Tsai	JUL-13-2017

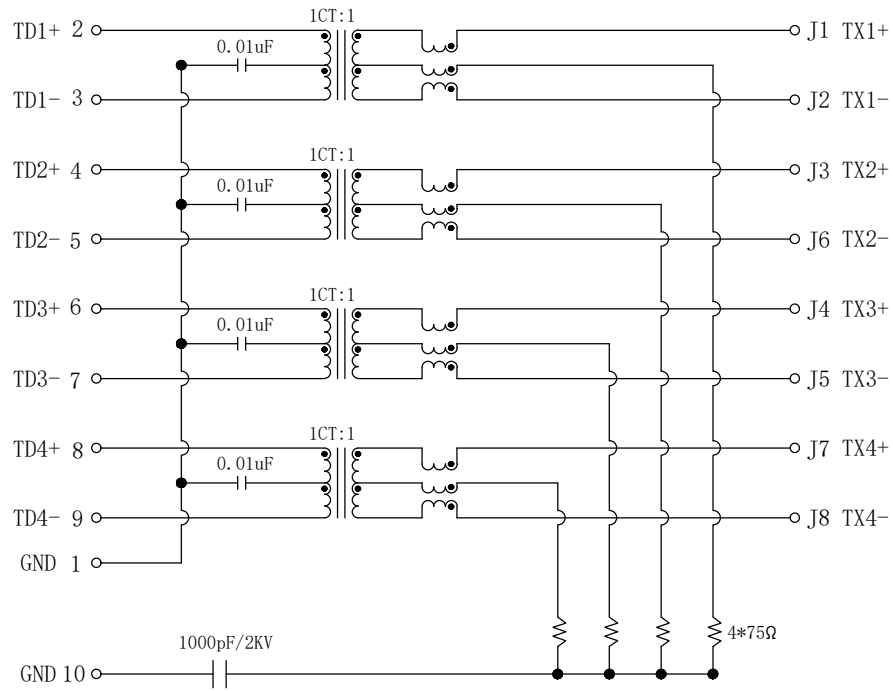


TITLE
SINGLE PORT, RJ45, WITH SHELL, FLAT PIN,
WITH TRANSFORMER, SIDE ENTRY PCB JACK

SIZE A3	DRAWING NO XMG-9805-81024-433D-L1TJ2-GD
WEIGHT - GRAMS Ref.	REV A
	SHEET 1

RoHS Compliance

9805 TRANSFORMER TYPE J2



Electrical:

1. Insulation resistance: 500 megohms MIN @500VDC.
2. Contact resistance: 20 milliohms Max. initial.
50 milliohms Max. after durability test.
3. Turn Ratio: 2~3: J1~J2=1CT:1CT(±2%).
4~5: J3~J6=1CT:1CT(±2%).
6~7: J4~J5=1CT:1CT(±2%).
8~9: J7~J8=1CT:1CT(±2%).
4. OCL: 350uH Min. at 100KHz 100mV 8mA DC.
5. Insertion Loss: -1.0 dB Max 1MHz to 100MHz.
6. Return loss: -16dB Min From 1MHz to 30MHz;
-14dB Min From 30MHz to 60MHz;
-10dB Min From 60MHz to 80MHz.
7. Cross talk: -40dB Min From 1MHz-30MHz;
-35dB Min From 30MHz-60MHz;
-30dB Min From 60MHz-100MHz;
8. CMR: -35dB Min From 1MHz-100MHz;
9. Hi-Pot: 1500V AC 6S 1mA

THIS DRAWING IS A CONTROLLED DOCUMENT.
DO NOT SCALE DRAWING.

DIMENSIONS: MM
TOLERANCES UNLESS OTHERWISE SPECIFIED:

THIRD ANGLE PROJECTION
MATERIAL: SEE NOTES
FINISH: SEE NOTES

DWN: T. Li
CHK: D. Wang
APVD: R. Tsai
DATE: JUL-13-2017
DATE: JUL-13-2017
DATE: JUL-13-2017



TITLE: SINGLE PORT, RJ45, WITH SHELL, FLAT PIN, WITH TRANSFORMER, SIDE ENTRY PCB JACK

SIZE: A3
DRAWING NO: XMG-9805-81024-433D-L1TJ2-GD
WEIGHT: - GRAMS Ref.
REV: -
SHEET: 2

LTR	DESCRIPTION	DATE	APVD
REVISIONS			