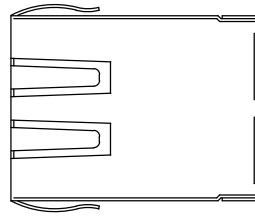


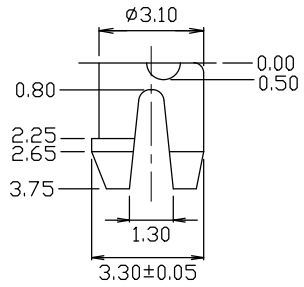
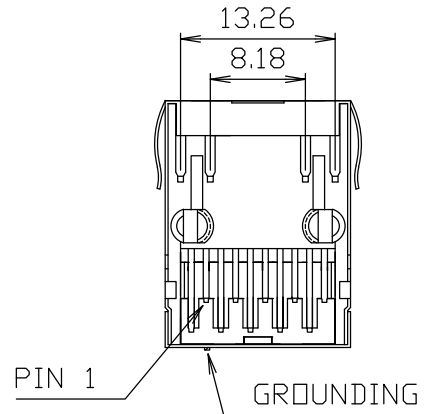
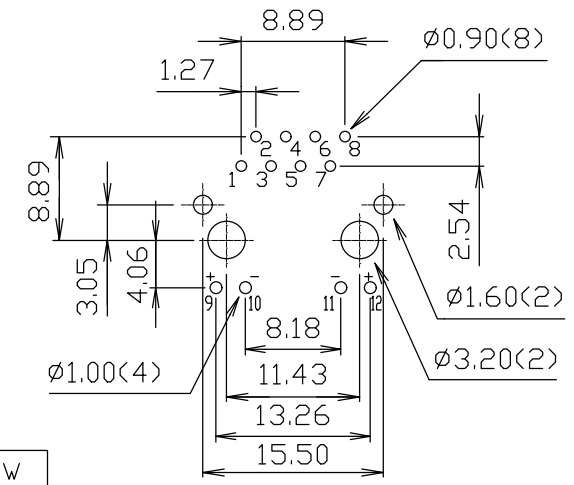
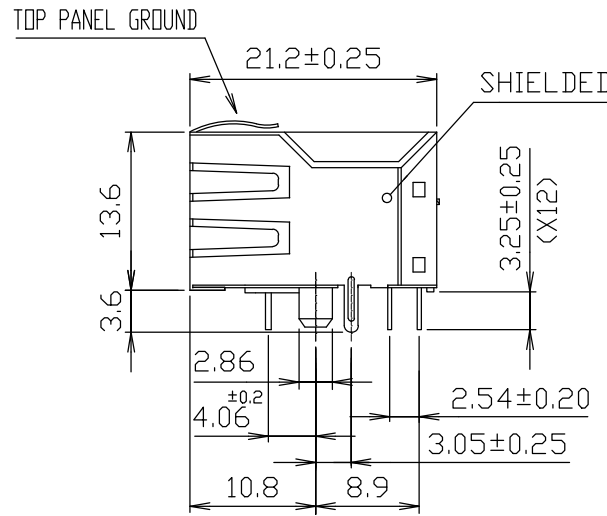
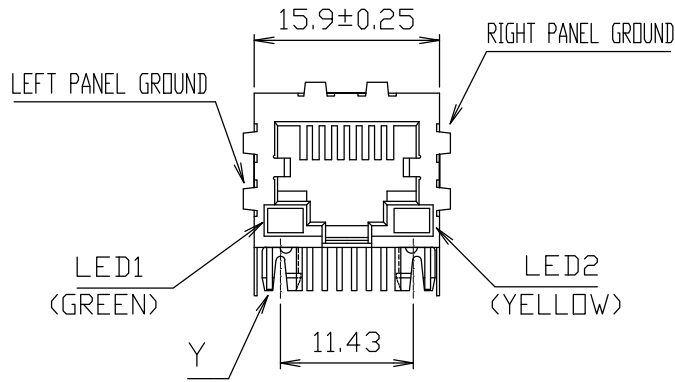
RoHS Compliance



MATERIALS:

- HOUSING-DSM STANYL TE250F6 (NYLON-46)
HEAT DEFLECTION TEMP.290°
BLACK COLOR, UL94V-0.
- CONTACTS-0.35mm THICK PHOS-BRONZE PLATED
WITH 30u" HARD GOLD IN SOLDER AREA.
- SHIELD-0.25mm THICK COPPER ALLOY,
PLATED WITH NICKEL.

CAVITY CONFIRMS TO FCC RULES AND REGULATIONS
PART 68,SUBPART F.



GREEN YELLOW
9+---10 11---12
FOR LP TYPE
LED SCHEMATIC

DETAIL Y

THIS DRAWING IS A CONTROLLED DOCUMENT. DO NOT SCALE DRAWING.	
DIMENSIONS: MM	TOLERANCES UNLESS OTHERWISE SPECIFIED:
	X ± - X.X ± 0.25 X.XX ± 0.13 X.XXX ± 0.05 ANGLES ± -
MATERIAL SEE NOTES	FINISH SEE NOTES
DWN T. LI	DATE JUL-14-2010
CHK D. Wang	JUL-14-2010
APVD R. Tsai	JUL-15-2010



TITLE SINGLE PORT, RJ45, SHIELDED, WITH LED WITH TRANSFORMER, SIDE ENTRY PCB JACK	
SIZE A3	DRAWING NO XMG-9799-8822-130D-LPTN-J-LFG
WEIGHT - GRAMS Ref.	REV 1 SHEET 1

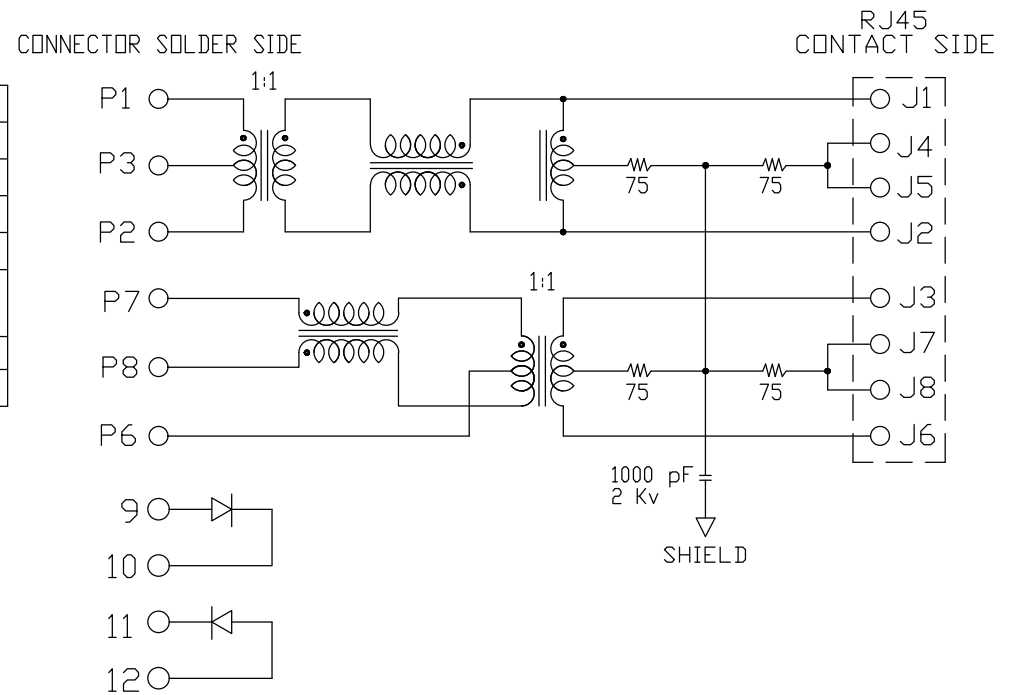
REVISIONS	DESCRIPTION	DATE	APVD

RoHS Compliance


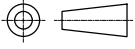
9799 TRANSFORMER TYPE N

Specification :

Item	Parameter	Condition	Min.	Typ.	Max.	Unit	REMARK
1	Insertion loss	1-100 MHz			-1	dB	
2	Return loss	1-30 MHz	-20			dB	
		30-60 MHz	-15			dB	
		60-80 MHz	-11			dB	
3	Primary Inductance @100KHz, 0.1Vrms, 8mA DC BIAS	(1-2), (7-8)	350			mH	
4	Crosstalk	1-100 MHz	-30			dB	
5	Hipot	Vrms	1.5			kV	



CONNECTOR SCHEMATIC

THIS DRAWING IS A CONTROLLED DOCUMENT. DO NOT SCALE DRAWING.			
DIMENSIONS: MM	TOLERANCES UNLESS OTHERWISE SPECIFIED:		
 THIRD ANGLE PROJECTION	X ± - X.X ± 0.38 X.XX ± 0.25 X.XXX ± - ANGLES ± -	TITLE SINGLE PORT, RJ45, SHIELDED, WITH LED WITH TRANSFORMER, SIDE ENTRY PCB JACK	
MATERIAL SEE NOTES	FINISH SEE NOTES	SIZE A3	DRAWING NO XMG-9799-8822-130D-LPTN-J-LFG
LTR	DESCRIPTION	DATE	APVD
REVISIONS		DWN <i>T. Li</i>	DATE JUL-14-2010
		CHK <i>D. Wang</i>	DATE JUL-14-2010
		APVD <i>R. Tsai</i>	DATE JUL-14-2010
		WEIGHT	- GRAMS Ref.
		REV	- SHEET 2