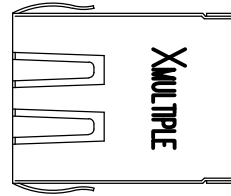
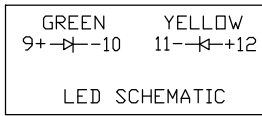


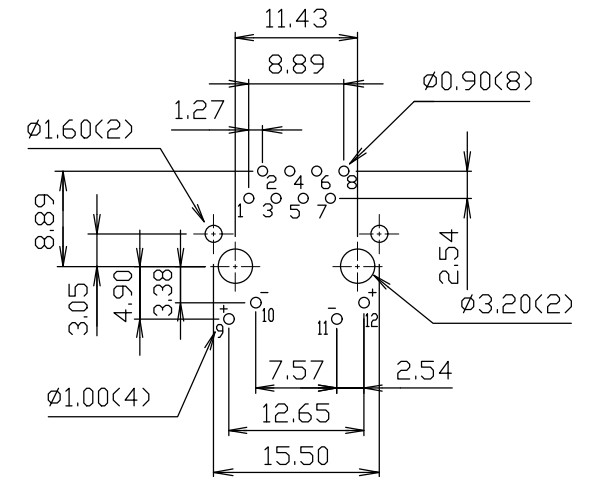
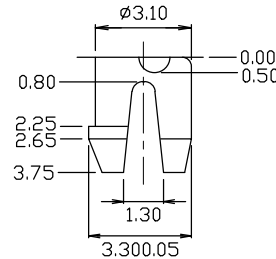
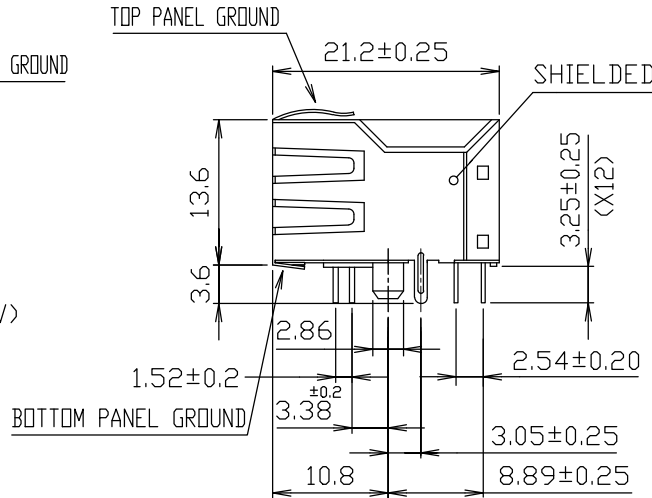
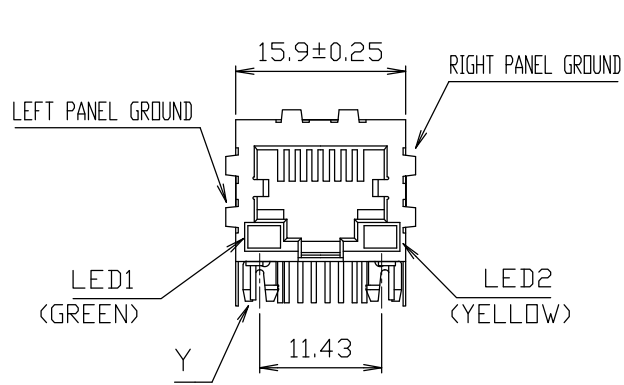
RoHS Compliance



- MATERIALS:
- HOUSING-PBT POLYESTER UL94V-0 MIXED GLASS FIBER. STANDARD COLOR-BLACK.
 - CONTACTS-0.35mm THICK PHOS-BRONZE PLATED WITH 15u" HARD GOLD AND GOLD FLASH IN SOLDER AREA.
 - SHIELD-0.20mm THICK COPPER ALLOY, PLATED WITH NICKEL.

CAVITY CONFIRMS TO FCC RULES AND REGULATIONS PART 68,SUBPART F.

OPERATING TEMPERATURE -40°C TO 85°C



THIS DRAWING IS A CONTROLLED DOCUMENT.
DO NOT SCALE DRAWING.

DIMENSIONS: MM TOLERANCES UNLESS OTHERWISE SPECIFIED:

0 PLC ± -
1 PLC ± 0.25
2 PLC ± 0.13
3 PLC ± 0.05
THIRD ANGLE PROJECTION ANGLES ± -

MATERIAL SEE NOTES FINISH SEE NOTES



TITLE SINGLE PORT, RJ45, SHIELDED, WITH LED WITH TRANSFORMER, SIDE ENTRY PCB JACK

REVISIONS	DESCRIPTION	DATE	APVD

DWN	T. LI	DATE	JUN-23-2011
CHK	D. Wang		JUN-23-2011
APVD	R. Tsai		JUN-23-2011

SIZE	DRAWING NO	REV	SHEET
A3	XMG-9799-8821-140D-LPT0-C	1	1
WEIGHT	- GRAMS Ref.		

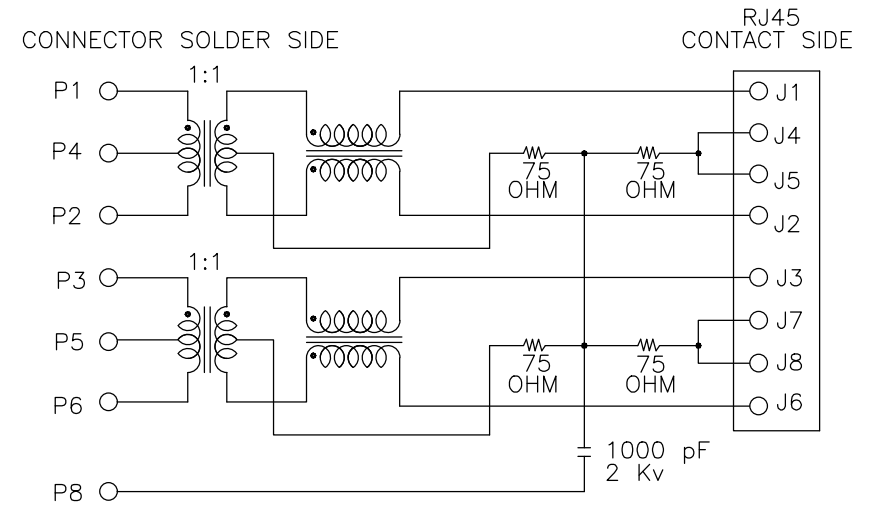
RoHS Compliance

9799 TRANSFORMER TYPE O

ELECTRICAL CHARACTERISTICS

TEST NOTES: (25°±5°C)

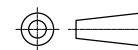
Item	Parameter	Condition	Min.	Typ.	Max.	Unit	REMARK
1	Insertion loss	1-100 MHz			-1	dB	
2	Return loss	1-30 MHz	-20			dB	
		30-60 MHz	-15			dB	
		60-80 MHz	-11			dB	
3	Primary Inductance @100KHz, 0.1Vrms, 8mA DC BIAS	(1-2), (3-6)	350			uH	
4	Crosstalk	1-100 MHz	-30			dB	
5	Hipot	Vrms	1.5			kV	



THIS DRAWING IS A CONTROLLED DOCUMENT.
DO NOT SCALE DRAWING.

DIMENSIONS:
MM

TOLERANCES UNLESS
OTHERWISE SPECIFIED:



THIRD ANGLE PROJECTION

0 PLC ± -
1 PLC ± -
2 PLC ± -
3 PLC ± -
ANGLES ± -

MATERIAL
SEE NOTES

FINISH
SEE NOTES



TITLE
SINGLE PORT, RJ45, SHIELDED, WITH LED
WITH TRANSFORMER, SIDE ENTRY PCB JACK

LTR	DESCRIPTION	DATE	APVD
REVISIONS			

DWN	T. LI	DATE	JAN-05-2012
CHK	D. Wang	DATE	JAN-05-2012
APVD	R. Tsai	DATE	JAN-06-2012

SIZE	DRAWING NO	WEIGHT	REV	SHEET
A3	XMG-9799-8821-140D-LPT□-C	- GRAMS Ref.	-	2