

RoHS Compliance

NOTE:

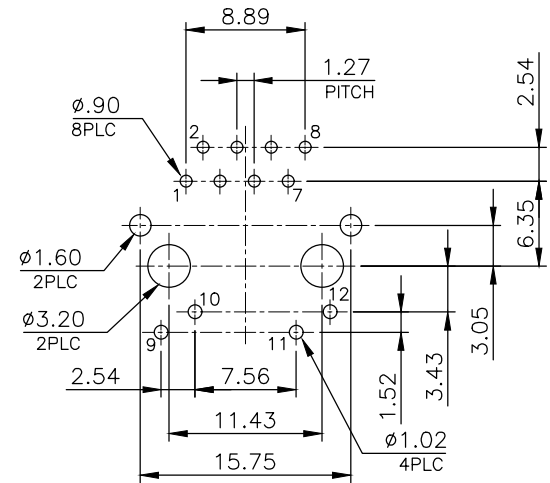
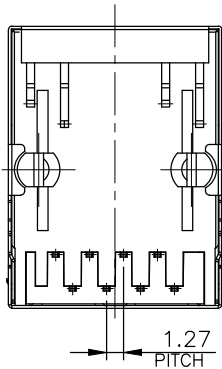
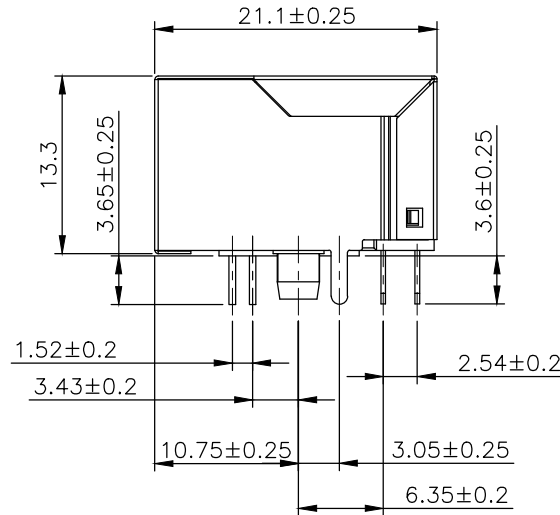
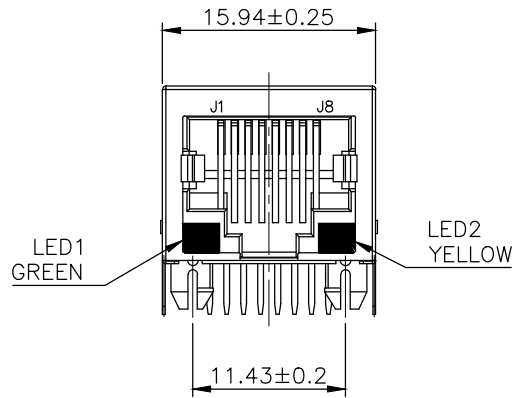
CAVITY CONFORMS TO FCC RULES AND REGULATIONS PART 68, SUBPART F.

1. MATERIAL:

- 1.1 HOUSING: PBT, WITH GLASS FIBER, UL94V-0, STANDARD COLOR-BLACK.
- 1.2 INSERT HOUSING: PBT, WITH GLASS FIBER, UL94V-0, STANDARD COLOR-BLACK.
- 1.3 CONTACTS: PHOSPHOR BRONZE.
- 1.4 LED SOLDER TAIL: STEEL.
- 1.5 SHELL: BRASS.

2. FINISH:

- 2.1 CONTACTS: $0.381\mu\text{m}$ [$15\mu''$] GOLD PLATED ON CONTACT AREA, $2.54\mu\text{m}$ [$100\mu''$] TIN PLATED ON SOLDER TAIL, $1.27\mu\text{m}$ [$50\mu''$] MIN. NICKEL UNDERPLATED OVERALL.
- 2.2 SHELL: $0.508\mu\text{m}$ [$20\mu''$] MIN. NICKEL PLATED.
- 2.3 LED SOLDER TAIL: $2.032\mu\text{m}$ [$80\mu''$] MIN. TIN PLATED.



RECOMMENDED PCB LAYOUT
PCB THICKNESS: 1.6mm
TOLERANCE: $\pm 0.05\text{mm}$ (TOP VIEW)

THIS DRAWING IS A CONTROLLED DOCUMENT.
DO NOT SCALE DRAWING.

DIMENSIONS: MM	TOLERANCES UNLESS OTHERWISE SPECIFIED:
	X ± - X.X ± 0.25 X.XX ± 0.20 X.XXX ± 0.10 ANGLES ± -
THIRD ANGLE PROJECTION	
MATERIAL SEE NOTES	FINISH SEE NOTES



www.xmultiple.com

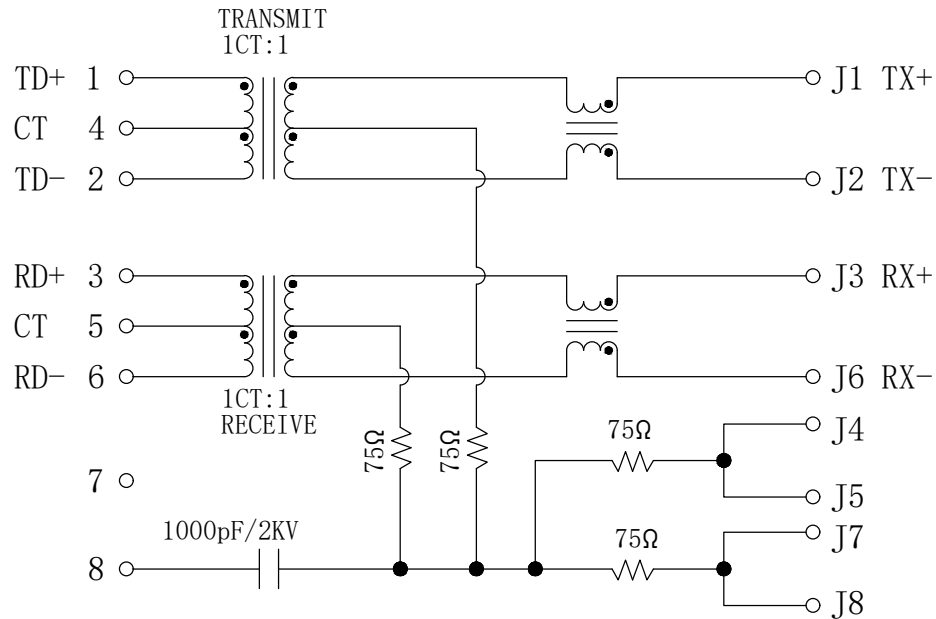
TITLE
SINGLE PORT, RJ45, WITH SHELL, FLAT PIN,
WITH TRANSFORMER, SIDE ENTRY PCB JACK

REVISIONS	DESCRIPTION	DATE	APVD

DWN	T. LI	DATE	MAY-08-2017	SIZE	A3	CAUGE CODE	-	DRAWING NO	XMG-9799-8821-100D-L1T01-H-GD
CHK	D. Wang		MAY-08-2017	WEIGHT	-	GRAMS Ref.		REV	A
APVD	R. Tsai		MAY-08-2017					SHEET	1

RoHS Compliance

9799 TRANSFORMER TYPE T01



Electrical:

1. Insulation resistance: 500 megohms MIN @500VDC.
2. Contact resistance: 50 milliohms Max.
3. Turn Ratio: 1~2: J1~J2=1CT:1CT(±2%).
3~6: J3~J6=1CT:1CT(±2%).
4. OCL: 350uH Min. at 100KHz 100mV 8mA DC.
5. Insertion Loss: -1.0 dB Max 1MHz to 100MHz.
6. Return loss: -16dB Min From 1MHz to 30MHz;
-14dB Min From 30MHz to 60MHz;
-10dB Min From 60MHz to 80MHz.
7. Cross talk: -40dB Min From 1MHz-30MHz;
-35dB Min From 30MHz-60MHz;
-30dB Min From 60MHz-100MHz;
8. CMR: -35dB Min From 1MHz-100MHz;
9. Hi-Pot: 1500V AC 6S 1mA

THIS DRAWING IS A CONTROLLED DOCUMENT. DO NOT SCALE DRAWING.			
DIMENSIONS: MM		TOLERANCES UNLESS OTHERWISE SPECIFIED:	
 THIRD ANGLE PROJECTION		X	± -
		X.X	± -
MATERIAL SEE NOTES		X.XX	± -
		X.XXX	± -
DWN <i>T. Li</i>		DATE MAY-08-2017	
LTR		CHK <i>D. Wang</i>	
APVD		APVD <i>R. Tsai</i>	
REVISIONS		MAY-08-2017	



www.xmultiple.com

TITLE
SINGLE PORT, RJ45, WITH SHELL, FLAT PIN,
WITH TRANSFORMER, SIDE ENTRY PCB JACK

SIZE A3	CAUGE CODE -	DRAWING NO XMG-9799-8821-100D-L1T01-H-GD
WEIGHT -	GRAMS Ref.	REV - SHEET 2