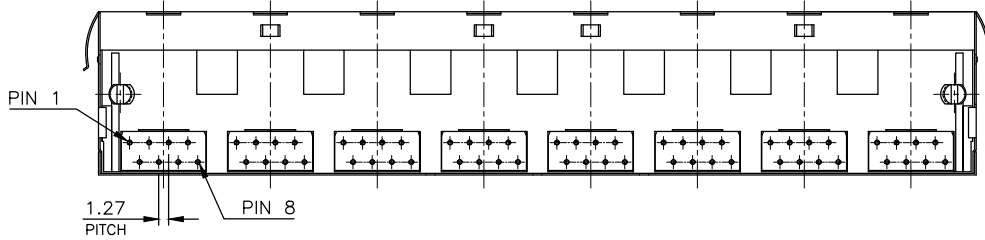
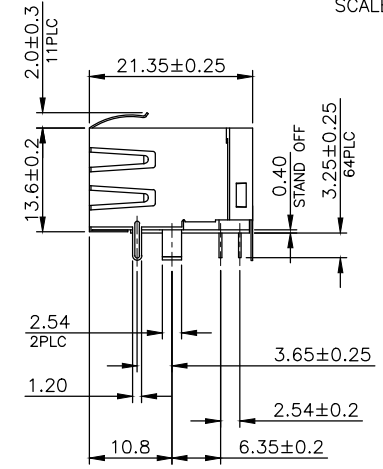
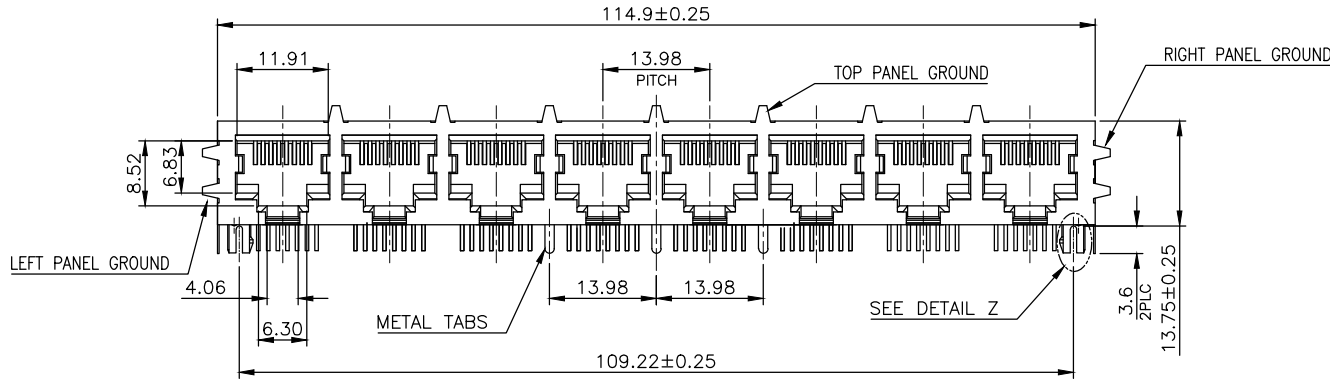
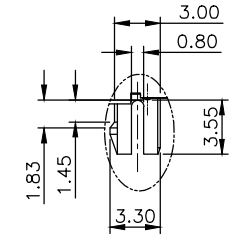
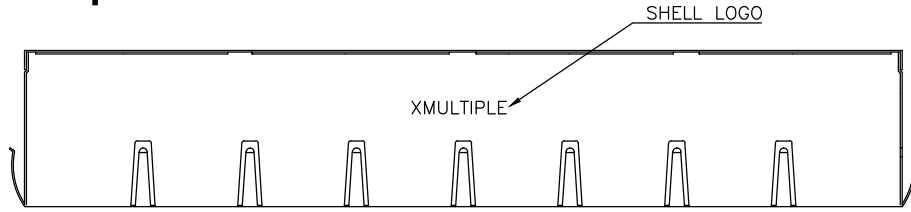


RoHS Compliance



THIS DRAWING IS A CONTROLLED DOCUMENT.
DO NOT SCALE DRAWING.

DIMENSIONS: MM	TOLERANCES UNLESS OTHERWISE SPECIFIED:
	X ± - X.X ± 0.25 X.XX ± 0.13 X.XXX ± 0.05 ANGLES ± -
THIRD ANGLE PROJECTION	
MATERIAL	FINISH
SEE NOTES	SEE NOTES



TITLE
8PORTS, RJ45, FLAT PIN,
WITH SHELL, SIDE ENTRY PCB GANGED JACK

REVISIONS	DESCRIPTION	DATE	APVD

DWN	T. LI	DATE	MAR-30-2016
CHK	D. Wang		MAR-30-2016
APVD	R. Tsai		MAR-31-2016

SIZE	DRAWING NO	REV	SHEET
A3	XMG-9742-8823-833B-G-LF	1	1
WEIGHT	- GRAMS Ref.		

RoHS Compliance

NOTE:

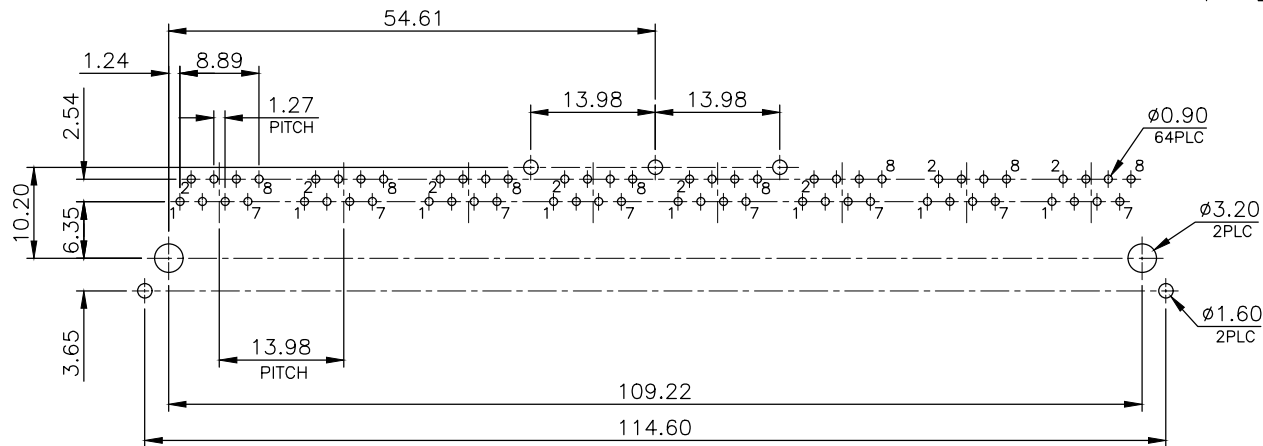
CAVITY CONFIRMS TO FCC RULES AND REGULATIONS PART 68, SUBPART F.

1. MATERIAL:

- 1.1 HOUSING: PA46, WITH GLASS FIBER, UL94V-0, STANDARD COLOR-BLACK.
- 1.2 INSERT HOUSING: PA46, WITH GLASS FIBER, UL94V-0, STANDARD COLOR-BLACK.
- 1.3 INSERT COVER: PA46, WITH GLASS FIBER, UL94V-0, STANDARD COLOR-BLACK.
- 1.4 CONTACTS: PHOSPHOR BRONZE.
- 1.5 SHELL: BRASS.

2. FINISH:

- 2.1 CONTACTS: GOLD PLATED ON CONTACT AREA, 2.54μm [100μ"] TIN PLATED ON SOLDER TAIL, 1.27μm [50μ"] MIN. NICKEL UNDERPLATED OVERALL.
- 2.2 SHELL: 0.508μm [20μ"] MIN. NICKEL PLATED.



RECOMMENDED PCB LAYOUT
 PCB THICKNESS: 1.6mm
 TOLERANCE: ±0.05mm (TOP VIEW)

THIS DRAWING IS A CONTROLLED DOCUMENT.
 DO NOT SCALE DRAWING.

DIMENSIONS: MM	TOLERANCES UNLESS OTHERWISE SPECIFIED:
-------------------	---

THIRD ANGLE PROJECTION	X ± X.X ± X.XX ± X.XXX ± ANGLES ±
MATERIAL	FINISH
SEE NOTES	SEE NOTES



TITLE
 8PORTS, RJ45, FLAT PIN,
 WITH SHELL, SIDE ENTRY PCB GANGED JACK

LTR	DESCRIPTION	DATE	APVD
REVISIONS			

DWN	T. LI	DATE	MAR-11-2016
CHK	D. Wang		MAR-11-2016
APVD	R. Tsai		MAR-14-2016

SIZE	DRAWING NO	WEIGHT	REV	SHEET
A3	XMG-9742-8823-833B-G-LF	- GRAMS Ref.	-	2