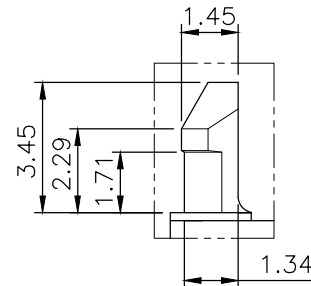
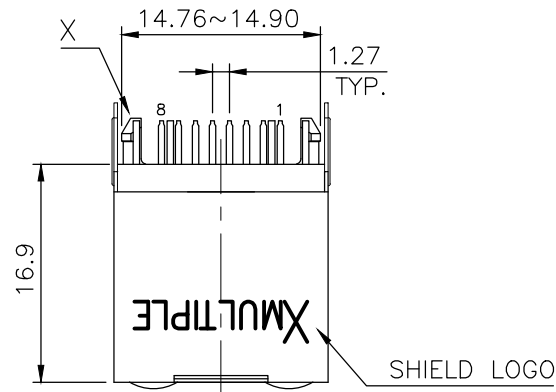


# RoHS Compliance

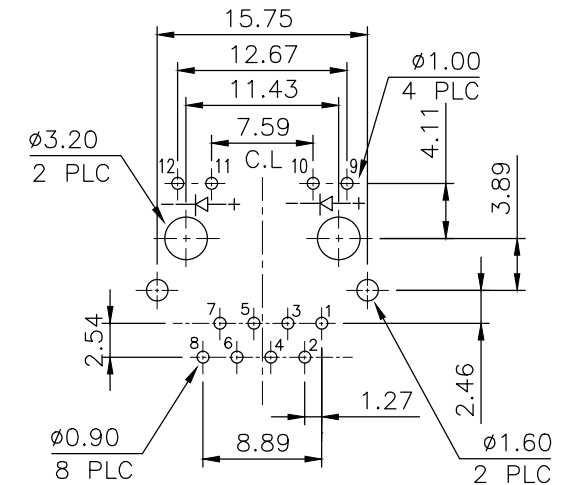
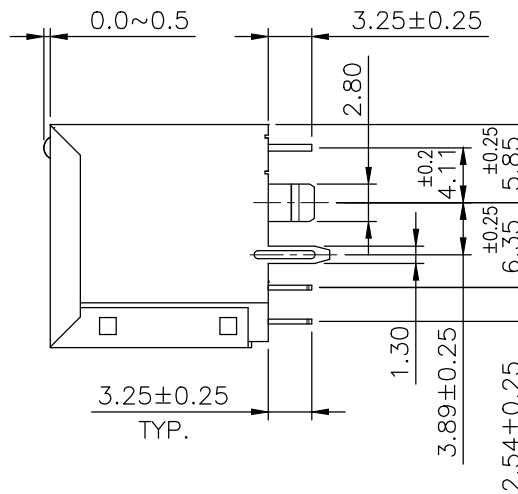
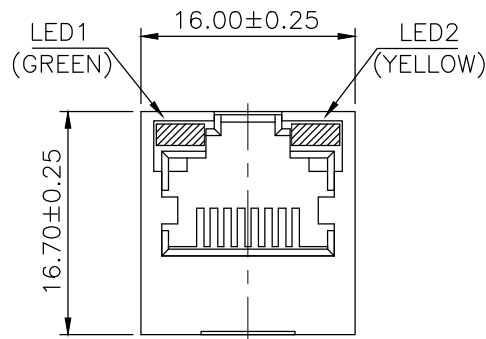
**MATERIAL:**

- HOUSING—PBT POLYESTER UL94V-0 MIXED GLASS FIBER. STANDARD COLOR—BLACK
- CONTACTS—0.35mm THICK PHOS-BRONZE PLATED WITH 30u" HARD GOLD AND GOLD FLASH ON SOLDER AREA.
- SHIELD—0.25mm THICK COPPER ALLOY, PLATED WITH NICKEL.

CAVITY CONFIRMS TO FCC RULES AND REGULATIONS PART 68,SUBPART F.



**DETAIL X**



**PCB Layout Ref.**

THIS DRAWING IS A CONTROLLED DOCUMENT.  
DO NOT SCALE DRAWING.

DIMENSIONS: MM TOLERANCES UNLESS OTHERWISE SPECIFIED:

THIRD ANGLE PROJECTION

MATERIAL: SEE NOTES FINISH: SEE NOTES



TITLE: RJ45, WITH LED'S, SHIELDED, WITH TRANSFORMER, FLAT PIN, TOP ENTRY PCB JACK

REVISIONS	DESCRIPTION	DATE	APVD
△ -			
LTR			

DWN	T. LI	DATE	OCT-04-2018
CHK	D. Wang		OCT-04-2018
APVD	R. Tsai		OCT-04-2018

SIZE	A3	DRAWING NO	XRJV-01V-4-D12-380
WEIGHT	- GRAMS Ref.	REV	1 SHEET 1

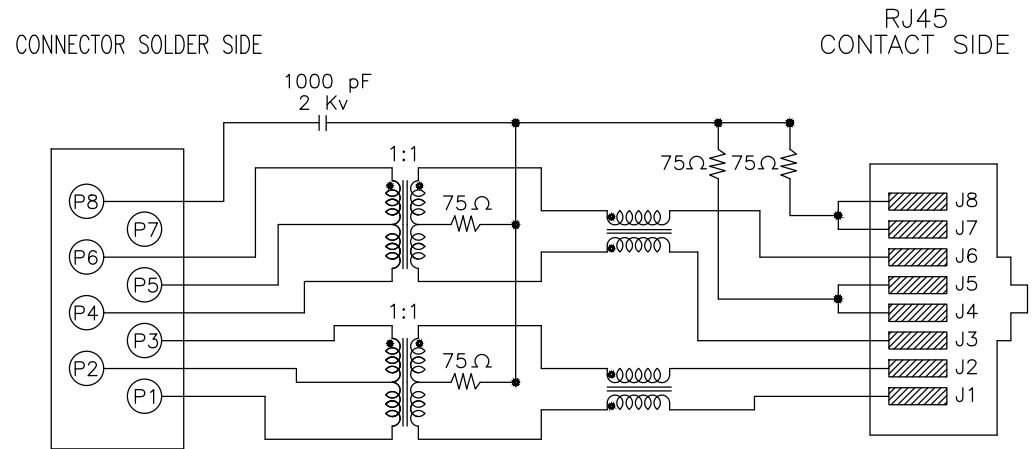
# RoHS Compliance

## 9813 TRANSFORMER TYPE 1

### ELECTRICAL CHARACTERISTICS

TEST NOTES: (25°±5°C)

1. TR: (100KHz, 0.1V)  
PINS:(P6-P5-P4):(J6,J3)=1CT:1CT±3%  
PINS:(P3-P2-P1):(J2,J1)=1CT:1CT±3%
2. INDUCTANCE: (@0.1V, 100KHz, 8mA, DC Bias)  
PINS: (P6-P4),(P3-P1)=350uH MINIMUM
3. DCR:  
PINS: (J6-J3)=(J2-J1)=1.2 OHMS MAXIMUM
4. HIPOT:  
PINS(J1,J2)TO(P1,P3)=1500VAC FOR 2 SECONDS  
PINS(J3,J6)TO(P4,P6)=1500VAC FOR 2 SECONDS
5. LEAKAGE INDUCTANCE:  
P6-P4 (WITH J6 AND J3 SHORT)=0.3 MAXIMUM, @1MHz  
P3-P1 (WITH J2 AND J1 SHORT)=0.3 MAXIMUM, @1MHz
6. INSERTION LOSS:  
-1.1dB MAXIMUM AT 1MHz TO 100MHz
7. RETURN LOSS:  
-18dB MINIMUM AT 1MHz TO 30MHz  
-12dB MINIMUM AT 60MHz TO 80MHz
8. CROSS TALK:  
-30dB MINIMUM AT 1MHz TO 100MHz
9. COMMON TO COMMON MODE ATTENUATION:  
-35dB MINIMUM AT 30MHz TO 100MHz
10. RISE TIME: RS=100 OHMS AND RL=100 OHMS  
OUTPUT VOLTAGE=1 V PEAK=3.0 nS MAXIMUM  
PULSE WIDTH=112 nS=3.0 nS MAXIMUM
11. INTERWINDING CAPACITANCE:  
(P6,P5,P4)TO(J6,J3)=30pF MAXIMUM, @1MHz  
(P3,P2,P1)TO(J2,J1)=30pF MAXIMUM, @1MHz



CONNECTOR SCHEMATIC

THIS DRAWING IS A CONTROLLED DOCUMENT. DO NOT SCALE DRAWING.	
DIMENSIONS: MM	TOLERANCES UNLESS OTHERWISE SPECIFIED:
	X ± - X.X ± 0.38 X.XX ± 0.25 X.XXX ± - ANGLES ± -
THIRD ANGLE PROJECTION	
MATERIAL SEE NOTES	FINISH SEE NOTES
DWN <i>T. LI</i>	DATE OCT-04-2018
CHK <i>D. Wang</i>	OCT-04-2018
APVD <i>R. Tsai</i>	OCT-04-2018



TITLE RJ45, WITH LED'S, SHIELDED,  
WITH TRANSFORMER, FLAT PIN,  
TOP ENTRY PCB JACK

LTR	DESCRIPTION	DATE	APVD
REVISIONS			

SIZE A3	DRAWING NO XRJV-01V-4-D12-380
WEIGHT - GRAMS Ref.	REV - SHEET 2