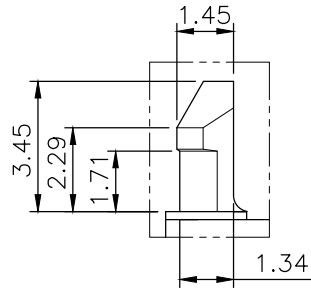
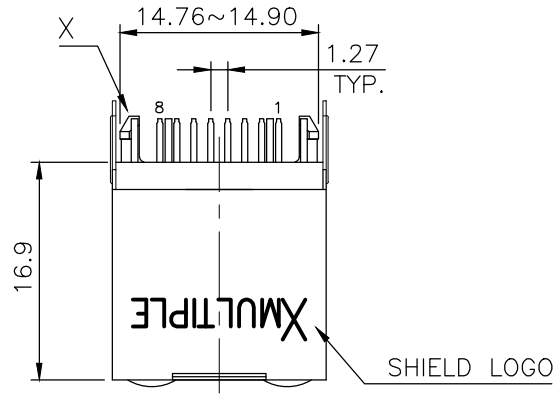
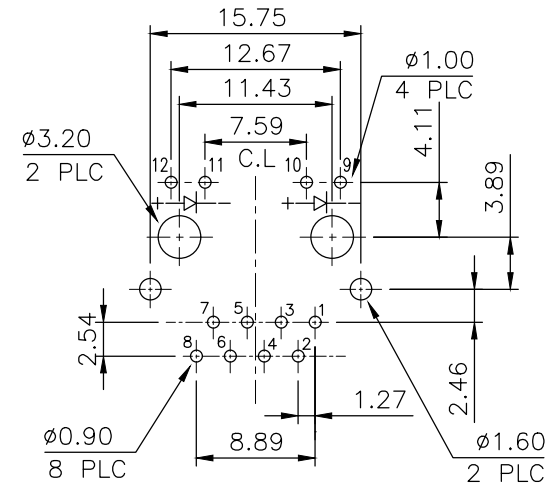
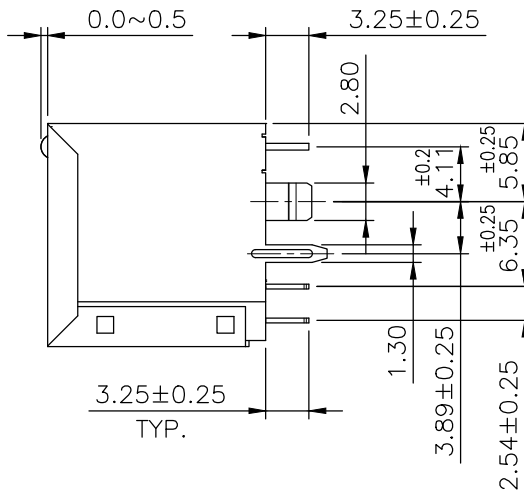
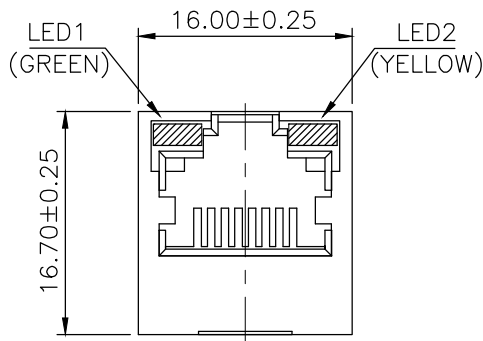


# RoHS Compliance



**DETAIL X**



**PCB Layout Ref.**

**MATERIAL:**

- HOUSING—PBT POLYESTER UL94V-0 MIXED GLASS FIBER. STANDARD COLOR—BLACK
- CONTACTS—0.35mm THICK PHOS-BRONZE PLATED WITH 30u" HARD GOLD AND GOLD FLASH ON SOLDER AREA.
- SHIELD—0.25mm THICK COPPER ALLOY, PLATED WITH NICKEL.

CAVITY CONFIRMS TO FCC RULES AND REGULATIONS PART 68,SUBPART F.

THIS DRAWING IS A CONTROLLED DOCUMENT.  
DO NOT SCALE DRAWING.

DIMENSIONS: MM  
TOLERANCES UNLESS OTHERWISE SPECIFIED:

THIRD ANGLE PROJECTION  
MATERIAL: SEE NOTES  
FINISH: SEE NOTES

DWN: T. LI  
CHK: D. Wang  
APVD: R. Tsai  
DATE: OCT-04-2018  
DATE: OCT-04-2018  
DATE: OCT-04-2018



TITLE: RJ45, WITH LED'S, SHIELDED, WITH TRANSFORMER, FLAT PIN, TOP ENTRY PCB JACK

SIZE: A3  
DRAWING NO: XRJV-01V-4-D12-180  
WEIGHT: - GRAMS Ref.  
REV: 1  
SHEET: 1

REVISIONS	DESCRIPTION	DATE	APVD
△ -			

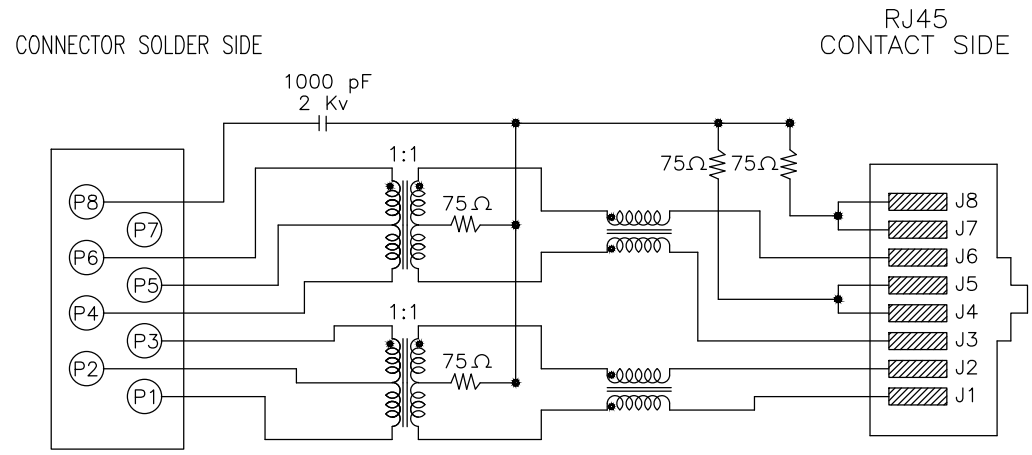
# RoHS Compliance

## 9813 TRANSFORMER TYPE 1

### ELECTRICAL CHARACTERISTICS

TEST NOTES: (25°±5°C)

1. TR: (100KHz, 0.1V)  
 PINS:(P6-P5-P4):(J6,J3)=1CT:1CT±3%  
 PINS:(P3-P2-P1):(J2,J1)=1CT:1CT±3%
2. INDUCTANCE: (@0.1V, 100KHz, 8mA, DC Bias)  
 PINS: (P6-P4),(P3-P1)=350uH MINIMUM
3. DCR:  
 PINS: (J6-J3)=(J2-J1)=1.2 OHMS MAXIMUM
4. HIPOT:  
 PINS(J1,J2)TO(P1,P3)=1500VAC FOR 60 SECONDS  
 PINS(J3,J6)TO(P4,P6)=1500VAC FOR 60 SECONDS
5. LEAKAGE INDUCTANCE:  
 P6-P4 (WITH J6 AND J3 SHORT)=0.3 MAXIMUM, @1MHz  
 P3-P1 (WITH J2 AND J1 SHORT)=0.3 MAXIMUM, @1MHz
6. INSERTION LOSS:  
 -1.1dB MAXIMUM AT 1MHz TO 100MHz
7. RETURN LOSS:  
 -18dB MINIMUM AT 1MHz TO 30MHz  
 -12dB MINIMUM AT 60MHz TO 80MHz
8. CROSS TALK:  
 -30dB MINIMUM AT 1MHz TO 100MHz
9. COMMON TO COMMON MODE ATTENUATION:  
 -35dB MINIMUM AT 30MHz TO 100MHz
10. RISE TIME: RS=100 OHMS AND RL=100 OHMS  
 OUTPUT VOLTAGE=1 V PEAK=3.0 nS MAXIMUM  
 PULSE WIDTH=112 nS=3.0 nS MAXIMUM
11. INTERWINDING CAPACITANCE:  
 (P6,P5,P4)TO(J6,J3)=30pF MAXIMUM, @1MHz  
 (P3,P2,P1)TO(J2,J1)=30pF MAXIMUM, @1MHz



CONNECTOR SCHEMATIC

THIS DRAWING IS A CONTROLLED DOCUMENT. DO NOT SCALE DRAWING.	
DIMENSIONS: MM	TOLERANCES UNLESS OTHERWISE SPECIFIED:
	X ± - X.X ± 0.38 X.XX ± 0.25 X.XXX ± - ANGLES ± -
THIRD ANGLE PROJECTION	
MATERIAL SEE NOTES	FINISH SEE NOTES
DWN T. Li	DATE OCT-04-2018
CHK D. Wang	OCT-04-2018
APVD R. Tsai	OCT-04-2018



TITLE RJ45, WITH LED'S, SHIELDED,  
WITH TRANSFORMER,  
FLAT PIN, TOP ENTRY PCB JACK

SIZE A3	DRAWING NO XRJV-01V-4-D12-180
WEIGHT - GRAMS Ref.	REV - SHEET 2

LTR	DESCRIPTION	DATE	APVD
REVISIONS			