

RoHS Compliance

NOTE:

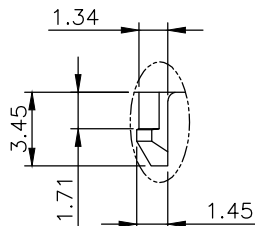
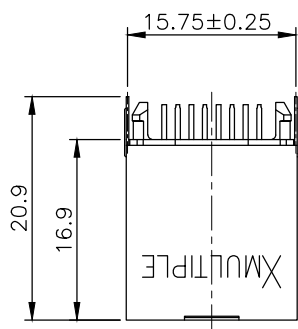
CAVITY CONFIRMS TO FCC RULES AND REGULATIONS PART 68, SUBPART F.

1. MATERIAL:

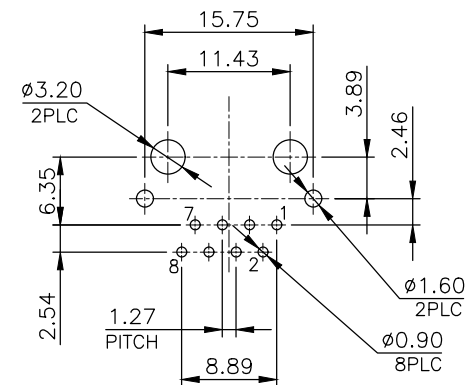
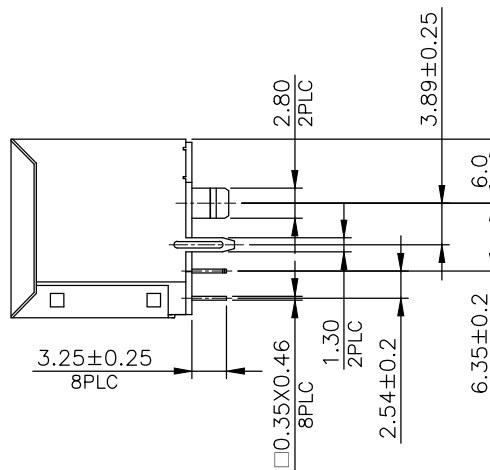
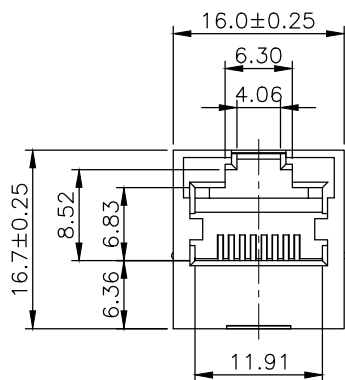
- 1.1 HOUSING: PBT, WITH GLASS FIBER, UL94V-0, STANDARD COLOR-BLACK.
- 1.2 INSERT HOUSING: PA46, WITH GLASS FIBER, UL94V-0, STANDARD COLOR-BLACK.
- 1.3 CONTACTS: PHOSPHOR BRONZE.
- 1.4 SHELL: BRASS.

2. FINISH:

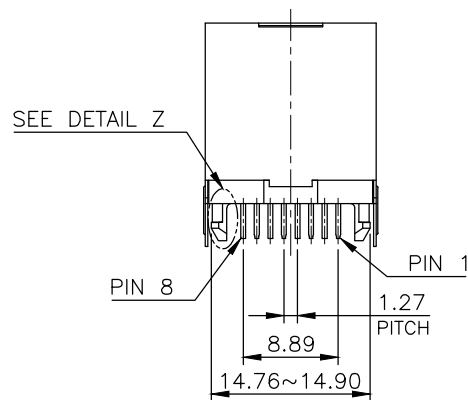
- 2.1 CONTACTS: 0.381 μ m [15 μ "] GOLD PLATED ON CONTACT AREA, GOLD FLASH ON SOLDER TAIL, 1.27 μ m [50 μ "] MIN. NICKEL UNDERPLATED OVERALL.
- 2.2 SHELL: 0.508 μ m [20 μ "] MIN. NICKEL PLATED.



DETAIL Z
SCALE 2:1



RECOMMENDED PCB LAYOUT
PCB THICKNESS: 1.6mm
TOLERANCE: ±0.05mm (TOP VIEW)



THIS DRAWING IS A CONTROLLED DOCUMENT.
DO NOT SCALE DRAWING.

DIMENSIONS: MM	TOLERANCES UNLESS OTHERWISE SPECIFIED:
	0 PLC ± -
	1 PLC ± 0.25
	2 PLC ± 0.13
	3 PLC ± 0.05
THIRD ANGLE PROJECTION	ANGLES ± -
MATERIAL	FINISH
SEE NOTES	SEE NOTES



TITLE RJ45, WITH TRANSFORMER, FLAT PIN, WITHOUT LED, TOP ENTRY PCB JACK

△	-	-	-
LTR	DESCRIPTION	DATE	APVD
REVISIONS			

DWN	T. Li	DATE	SEP-11-2014
CHK	D. Wang	DATE	SEP-11-2014
APVD	R. Tsai	DATE	SEP-12-2014

SIZE	DRAWING NO
A3	XMV-9813-8811-SOT1-B
WEIGHT	- GRAMS Ref.
REV	1
SHEET	2

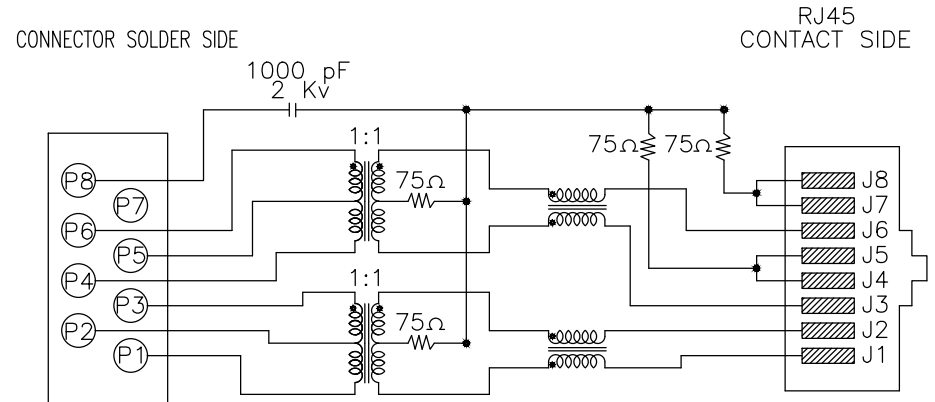
RoHS Compliance

9813 TRANSFORMER TYPE 1

ELECTRICAL CHARACTERISTICS

TEST NOTES: (25°±5°C)

1. TR: (100KHz, 0.1V)
 PINS:(P6-P5-P4):(J6,J3)=1CT:1CT±3%
 PINS:(P3-P2-P1):(J2,J1)=1CT:1CT±3%
2. INDUCTANCE: (@0.1V, 100KHz, 8mA, DC Bias)
 PINS: (P6-P4),(P3-P1)=350uH MINIMUM
3. DCR:
 PINS: (J6-J3)=(J2-J1)=1.2 OHMS MAXIMUM
4. HIPOT:
 PINS(J1,J2)TO(P1,P3)=1500VAC FOR 60 SECONDS
 PINS(J3,J6)TO(P4,P6)=1500VAC FOR 60 SECONDS
5. LEAKAGE INDUCTANCE:
 P6-P4 (WITH J6 AND J3 SHORT)=0.3 MAXIMUM, @1MHz
 P3-P1 (WITH J2 AND J1 SHORT)=0.3 MAXIMUM, @1MHz
6. INSERTION LOSS:
 -1.1dB MAXIMUM AT 1MHz TO 100MHz
7. RETURN LOSS:
 -18dB MINIMUM AT 1MHz TO 30MHz
 -12dB MINIMUM AT 60MHz TO 80MHz
8. CROSS TALK:
 -30dB MINIMUM AT 1MHz TO 100MHz
9. COMMON TO COMMON MODE ATTENUATION:
 -35dB MINIMUM AT 30MHz TO 100MHz
10. RISE TIME: RS=100 OHMS AND RL=100 OHMS
 OUTPUT VOLTAGE=1 V PEAK=3.0 nS MAXIMUM
 PULSE WIDTH=112 nS=3.0 nS MAXIMUM
11. INTERWINDING CAPACITANCE:
 (P6,P5,P4)TO(J6,J3)=30pF MAXIMUM, @1MHz
 (P3,P2,P1)TO(J2,J1)=30pF MAXIMUM, @1MHz



CONNECTOR SCHEMATIC

THIS DRAWING IS A CONTROLLED DOCUMENT. DO NOT SCALE DRAWING.	
DIMENSIONS: MM	TOLERANCES UNLESS OTHERWISE SPECIFIED:
	0 PLC ± - 1 PLC ± - 2 PLC ± - 3 PLC ± - ANGLES ± -
THIRD ANGLE PROJECTION	
MATERIAL SEE NOTES	FINISH SEE NOTES
DWN <i>T. Li</i>	DATE MAY-15-2014
CHK <i>D. Wang</i>	MAY-15-2014
APVD <i>R. Tsai</i>	MAY-16-2014



TITLE
RJ45, WITH TRANSFORMER, FLAT PIN,
WITHOUT LED, TOP ENTRY PCB JACK

REVISIONS	DESCRIPTION	DATE	APVD
△ -			
LTR			

SIZE A3	DRAWING NO XMV-9813-8811-S0T1-B
WEIGHT - GRAMS Ref.	REV - SHEET 2