

RoHS Compliance

NOTE:

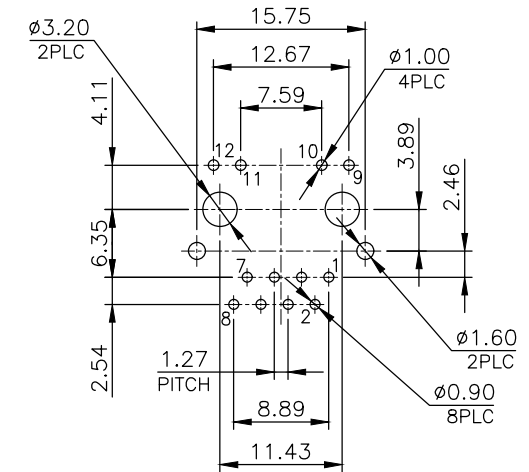
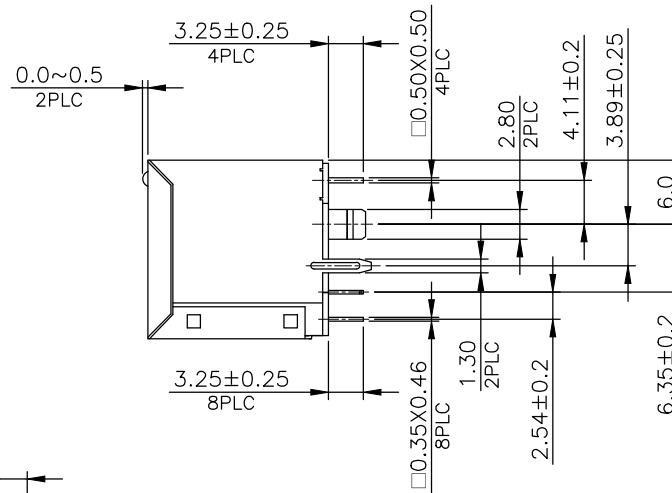
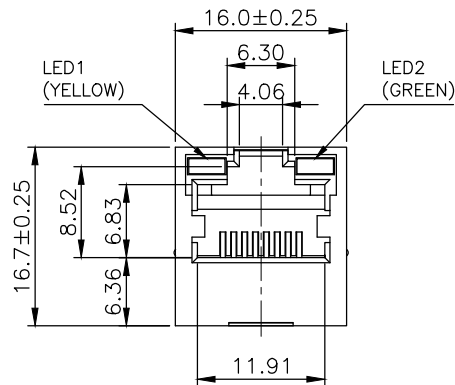
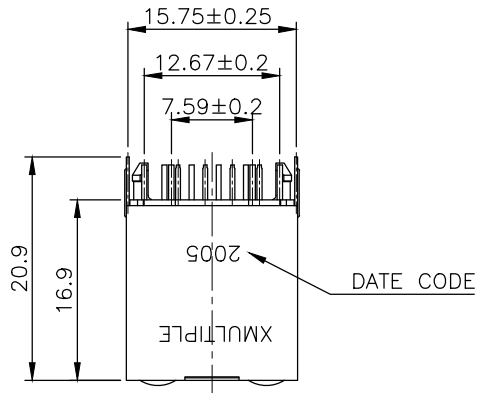
CAVITY CONFIRMS TO FCC RULES AND REGULATIONS PART 68, SUBPART F.

1. MATERIAL:

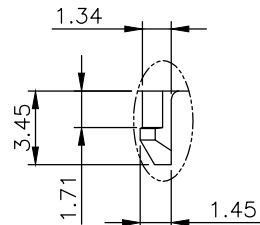
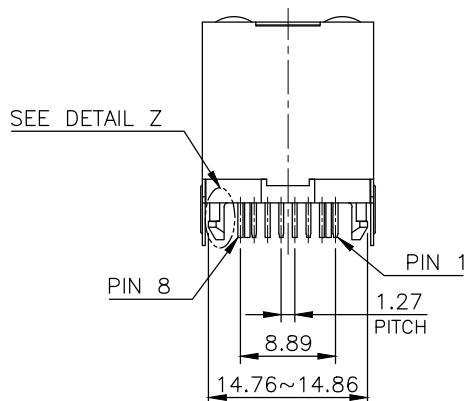
- 1.1 HOUSING: PBT , WITH GLASS FIBER, UL94V-0, STANDARD COLOR-BLACK.
- 1.2 INSERT HOUSING: PA46, WITH GLASS FIBER, UL94V-0, STANDARD COLOR-BLACK.
- 1.3 COVER: PBT , WITH GLASS FIBER, UL94V-0, STANDARD COLOR-BLACK.
- 1.4 CONTACTS: PHOSPHOR BRONZE.
- 1.5 SHELL: BRASS.
- 1.6 LED SOLDER TAIL: STEEL.

2. FINISH:

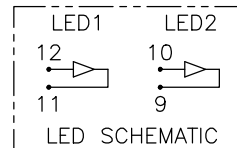
- 2.1 CONTACTS: 0.381μm [15μ"] GOLD PLATED ON CONTACT AREA, GOLD FLASH ON SOLDER TAIL, 1.27μm [50μ"] MIN. NICKEL UNDERPLATED OVERALL.
- 2.2 SHELL: 0.508μm [20μ"] MIN. NICKEL PLATED.
- 2.3 LED SOLDER TAIL: 2.032μm [80μ"] MIN. TIN PLATED.



RECOMMENDED PCB LAYOUT
PCB THICKNESS: 1.6mm
TOLERANCE: ±0.05mm (TOP VIEW)



DETAIL Z
SCALE 2:1



| | |
|---|--|
| THIS DRAWING IS A CONTROLLED DOCUMENT. DO NOT SCALE DRAWING. | |
| DIMENSIONS: MM | TOLERANCES UNLESS OTHERWISE SPECIFIED: |
| | X ± - X.X ± 0.25 X.XX ± 0.13 X.XXX ± 0.05 ANGLES ± - |
| MATERIAL | FINISH |
| SEE NOTES | SEE NOTES |
| DWN T. LI | DATE SEP-11-2014 |
| CHK D. Wang | SEP-11-2014 |
| APVD R. Tsai | SEP-12-2014 |



TITLE RJ45, WITH TRANSFORMER, FLAT PIN,
WITH LED'S, TOP ENTRY PCB JACK

| REVISIONS | DESCRIPTION | DATE | APVD |
|-----------|-------------|------|------|
| △ - | | | |
| LTR | | | |

| | |
|---------------------|------------------------------------|
| SIZE A3 | DRAWING NO. XMV-9813-8811-SOL2T6-B |
| WEIGHT - GRAMS Ref. | REV 11 SHEET 1 |

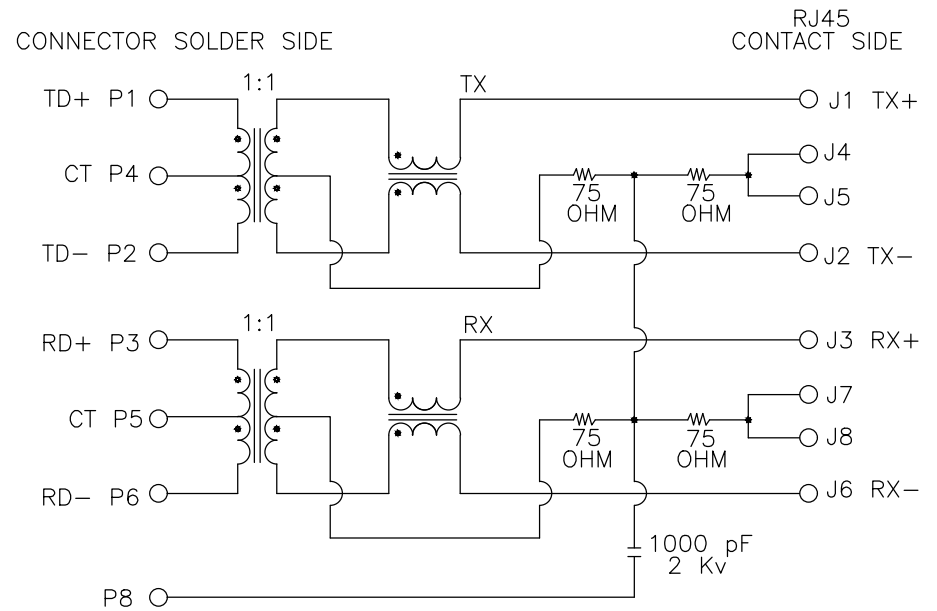
RoHS Compliance

9813 TRANSFORMER TYPE 6

ELECTRICAL CHARACTERISTICS

TEST NOTES: (25°±5°C)

1. TR: (100KHz, 0.1V);
PINS:(1-2):(J1-J2)=1CT:1CT±3%;
PINS:(3-6):(J3-J6)=1CT:1CT±3%;
2. LX: (100KHz, 100mV, 8mA, DC Bias)
PINS: (1,2),(3,6)=350uH MINIMUM
3. DCR:
PINS: (1-2),(J1-J2),(J3-J6)=1.0 OHMS MAXIMUM.
PINS: (5-6)=1.2 OHMS MAXIMUM.
4. INSERTION LOSS:
-1.0dB MAXIMUM AT 1MHz TO 100MHz
5. RETURN LOSS:
-20dB MINIMUM AT 1MHz TO 30MHz
-15dB MINIMUM AT 30MHz TO 60MHz
-10dB MINIMUM AT 60MHz TO 100MHz
6. CROSS TALK:
-30dB MINIMUM AT 1MHz TO 100MHz
7. COMMON TO COMMON MODE REJECTION:
-30dB MINIMUM AT 1MHz TO 100MHz



CONNECTOR SCHEMATIC

THIS DRAWING IS A CONTROLLED DOCUMENT.
DO NOT SCALE DRAWING.

| | |
|------------------------|---|
| DIMENSIONS: MM | TOLERANCES UNLESS OTHERWISE SPECIFIED: |
| | X ± - X.X ± - X.XX ± - X.XXX ± - ANGLES ± - |
| THIRD ANGLE PROJECTION | |
| MATERIAL SEE NOTES | FINISH SEE NOTES |



TITLE RJ45, WITH TRANSFORMER, FLAT PIN,
WITH LED'S, TOP ENTRY PCB JACK

| REVISIONS | DESCRIPTION | DATE | APVD |
|-----------|-------------|------|------|
| △ - | | - | - |
| LTR | | | |

| | | | |
|------|---------|------|-------------|
| DWN | T. LI | DATE | MAY-15-2014 |
| CHK | D. Wang | | MAY-15-2014 |
| APVD | R. Tsai | | MAY-16-2014 |

| | | | | |
|------|------------------------|--------------|-----|-------|
| SIZE | DRAWING NO | WEIGHT | REV | SHEET |
| A3 | XMV-9813-8811-SOL2T6-B | - GRAMS Ref. | 1 | 2 |