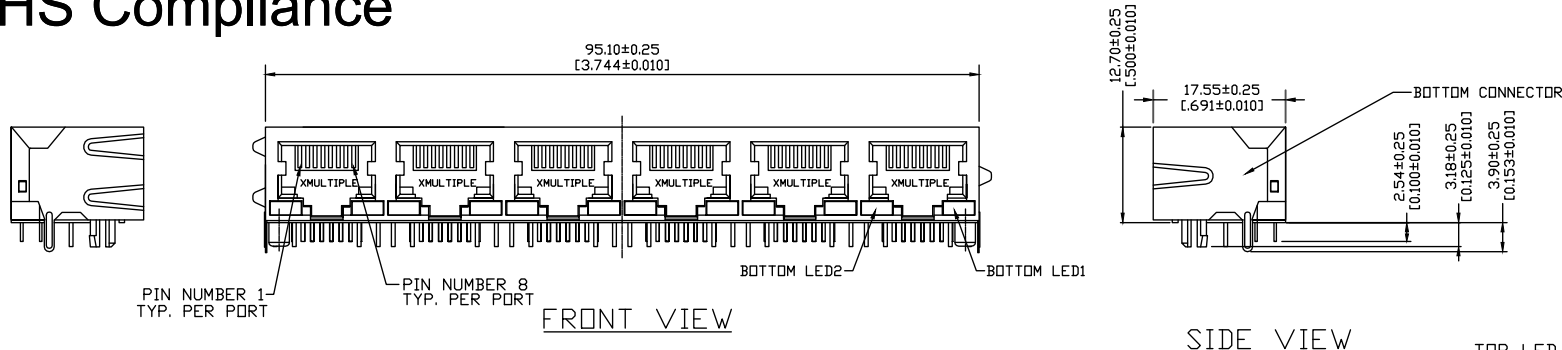
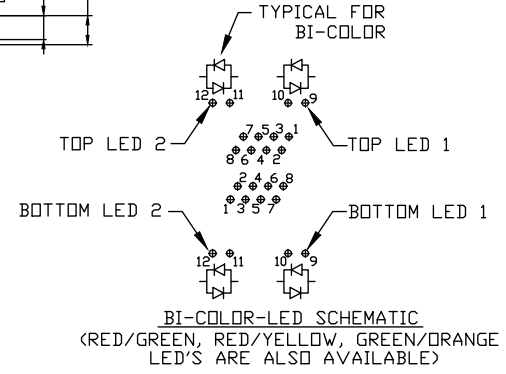


RoHS Compliance

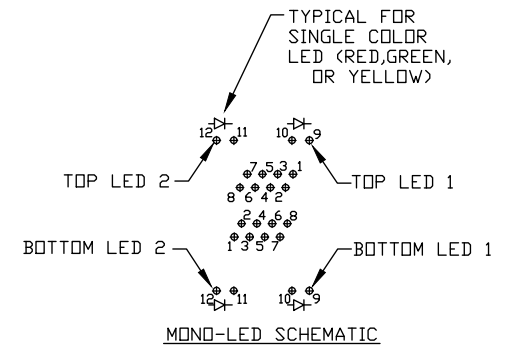


FRONT VIEW

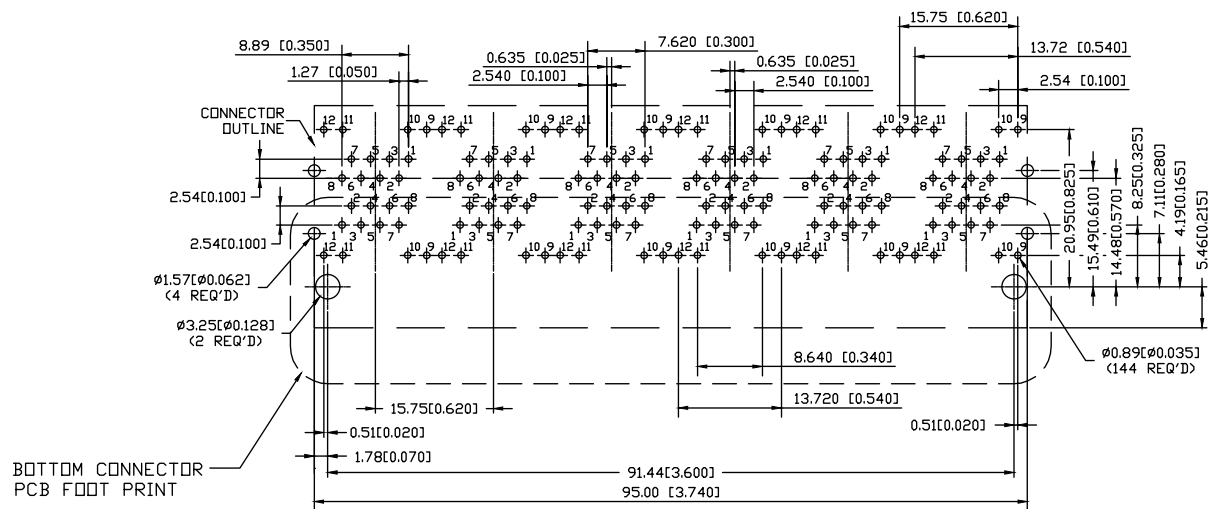
SIDE VIEW



BI-COLOR-LED SCHEMATIC
(RED/GREEN, RED/YELLOW, GREEN/ORANGE LED'S ARE ALSO AVAILABLE)



MONO-LED SCHEMATIC



SUGGESTED PCB LAYOUT
(COMPONENT SIDE)

1. MATERIALS:
HOUSING: HIGH TEMP. THERMOPLASTIC, BLACK, UL 94V-0
CONTACTS: 0.014 INCHES (0.35 MILLIMETERS) THICK PHOSPHOR BRONZE PLATED WITH 150 MICROINCHES (3.81 MICROMETERS) MINIMUM THICK TIN LEAD IN SOLDER AREA. 15 MICROINCHES (0.38 MICROMETERS) MINIMUM GOLD IN LOCALIZED PLATE AREA. ENTIRE CONTACTS PLATED WITH 50 MICROINCHES (1.27 MICROMETERS) MINIMUM THICK NICKEL. SHIELDED: 0.0098 INCHES (0.25 MILLIMETERS) THICK COPPER ZINC ALLOY PLATED WITH 30 MICROINCHES (0.762 MICROMETERS) MINIMUM THICK NICKEL.

2. JACK CAVITY CONFORMS TO FCC RULES AND REGULATIONS PART 68, SUBPART F
3. PART NUMBER: XRJD-S-26-8-8-X
REFER TO LED OPTIONS TABLE FOR ORDERING CODES

NOTES: UNLESS OTHERWISE SPECIFIED
UNSPECIFIED TOLERANCE: .XX±0.010[0.25]
.X±0.006[0.15]

REVISIONS	DESCRIPTION	DATE	APVD
△ -			
LTR			

THIS DRAWING IS A CONTROLLED DOCUMENT. DO NOT SCALE DRAWING.	
DIMENSIONS: MM	TOLERANCES UNLESS OTHERWISE SPECIFIED:
	X ± X.X ±0.25 X.XX ±0.13 X.XXX ±0.05 ANGLES ±
THIRD ANGLE PROJECTION	
MATERIAL: SEE NOTES	FINISH: SEE NOTES
DWN: T. LI	DATE: OCT-04-2018
CHK: D. Wang	OCT-04-2018
APVD: R. Tsai	OCT-04-2018

www.xmultiple.com

TITLE: Stacked RJ45 Connectors, With LED, 8P8C, Shielded, Thru Hole, Bottom Piece	
SIZE: A3	DRAWING NO: XRJDB-S-06-8-8-X
WEIGHT: - GRAMS Ref.	REV: 1 SHEET: 1