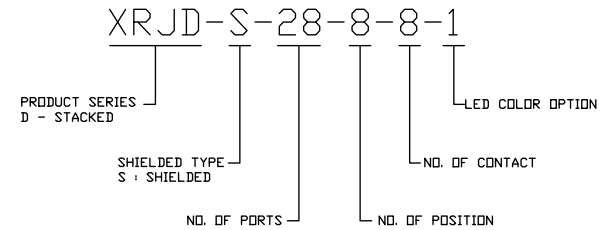
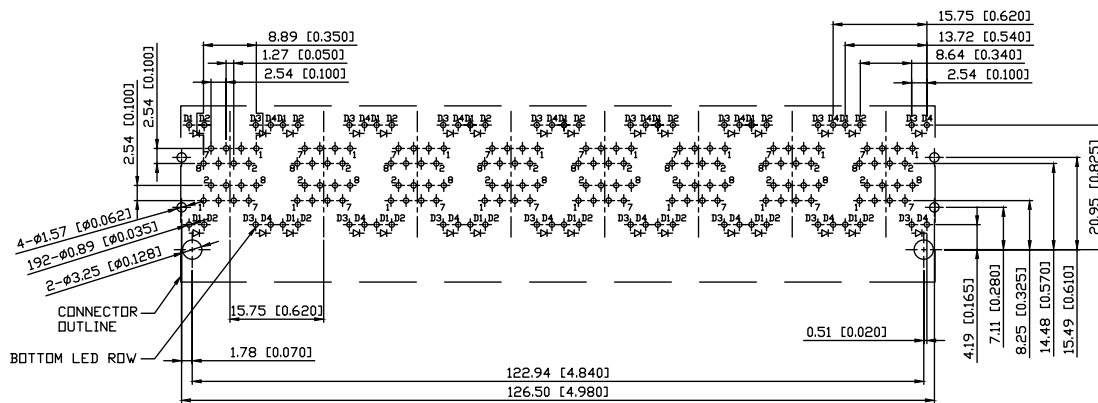
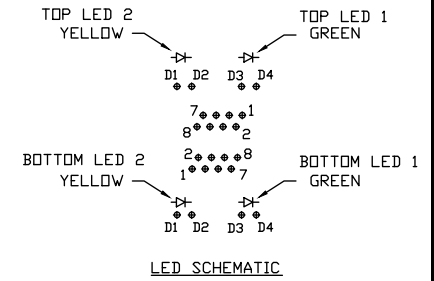
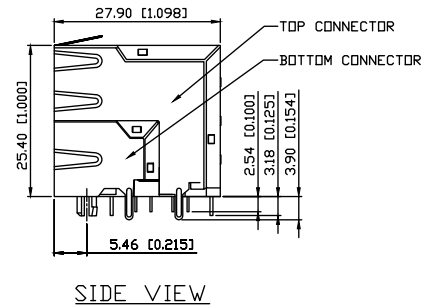
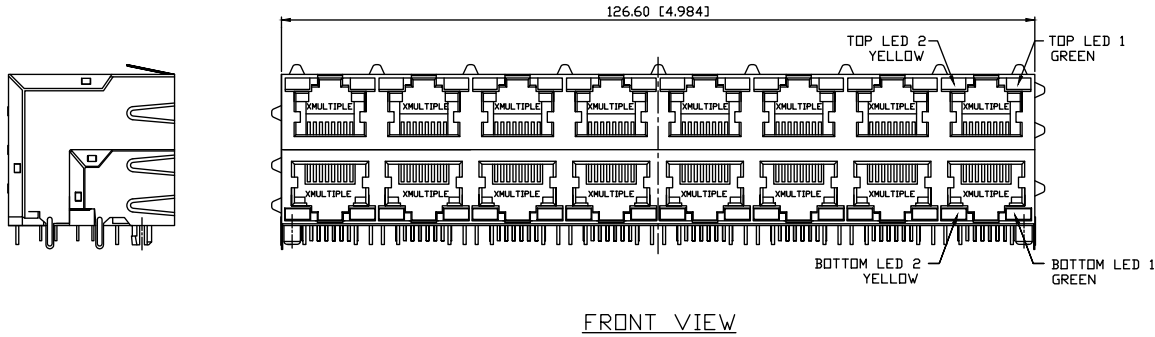


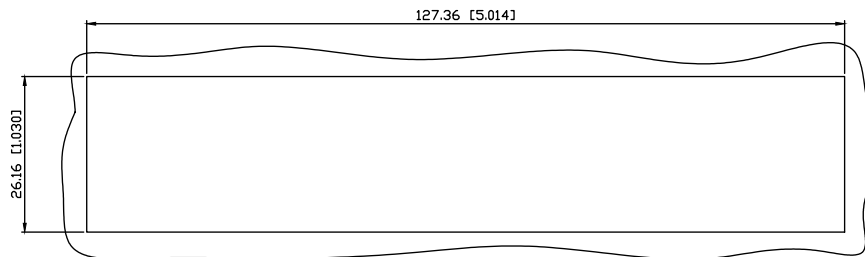
# RoHS Compliance



## NOTES:

- MATERIALS:  
HOUSING: HIGH TEMP. THERMOPLASTIC, PBT, UL 94V-0, BLACK.  
CONTACTS: T=0.35 mm PHOSPHOR BRONZE, 50 $\mu$  NICKEL UNDERPLATE  
ON ALL AREA, 100 $\mu$  TIN ON TERMINATION END,  
15 $\mu$  GOLD ON CONTACT AREA.  
SHIELD: T=0.25 mm COPPER ZINC ALLOY PLATED WITH NICKEL
- OPERATING TEMPERATURE: -40 $^{\circ}$ C ~ +85 $^{\circ}$ C
- JACK CAVITY CONFORMS TO FCC RULES AND REGULATIONS PART 68, SUBPART F
- UNSPECIFIED TOLERANCE: .XX  $\pm$ 0.25[0.010]  
.X  $\pm$ 0.30[0.012]

$\triangle$  DIMENSIONAL TOLERANCE: .XX  $\pm$ 0.08[0.003]



THIS DRAWING IS A CONTROLLED DOCUMENT.  
DO NOT SCALE DRAWING.



www.xmultiple.com

TITLE Stacked RJ45 Connectors, With LED,  
8P8C, Shielded, Thru Hole,  
2 Piece Structure

$\triangle$	-	-	-
LTR	DESCRIPTION	DATE	APVD
REVISIONS			

DWN	T. LI	DATE	OCT-04-2018
CHK	D. Wang		OCT-04-2018
APVD	R. Tsai		OCT-04-2018

SIZE	DRAWING NO
A3	XRJD-S-28-8-8-1
WEIGHT	- GRAMS Ref.
REV	D
SHEET	1