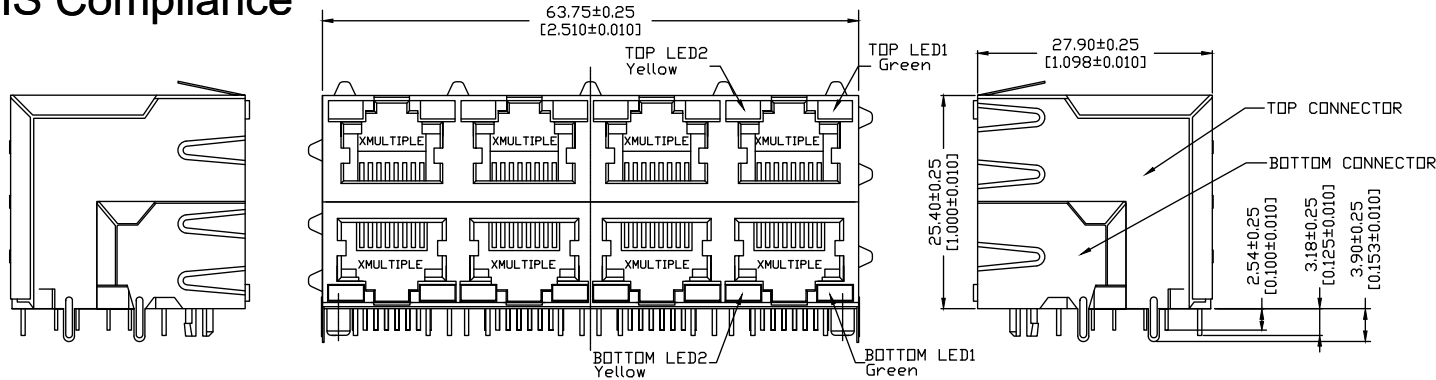
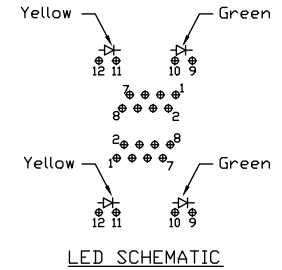


# RoHS Compliance



FRONT VIEW

SIDE VIEW



LED SCHEMATIC

XRJD-S-24-8-8-1

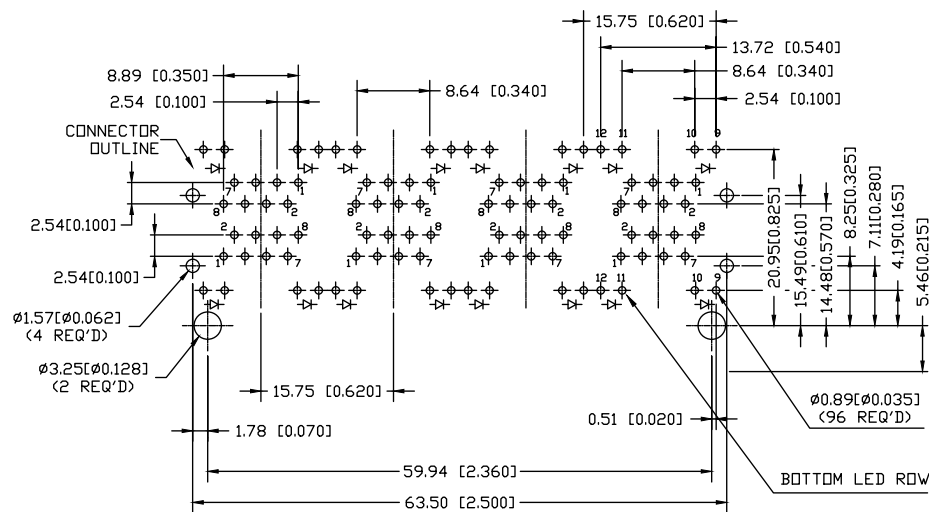
Shielded Plating Type  
S SHIELDED  
U Unshielded

LED COLOR OPTION  
NO. OF CONTACT  
NO. OF POSITION

D-E Double Stacked w/LED J

NO. OF PORTS	
1	2#1
2	2#2
3	2#3
4	2#4
5	2#5
6	2#6

	CODE	LED 2 [LEFT]	LED 1 [RIGHT]
	0	BLOCKED	BLOCKED
☆	1	YELLOW	GREEN
	2	BLOCKED	GREEN
	3	YELLOW	BLOCKED
	4	GREEN	YELLOW
	5	GREEN	GREEN
	6	YELLOW	YELLOW
	7	OR/GR	OR/GR
	8	YE/GR	YE/GR
	9	OR/GR	YELLOW



SUGGESTED PCB LAYOUT

## NOTES:

- MATERIALS:  
HOUSING: HIGH TEMP. THERMOPLASTIC, PBT, UL 94V-0, BLACK.  
CONTACTS: T=0.35 mm PHOSPHOR BORNZE, 50u" NICKEL UNDERPLATE  
ON ALL AREA, 150u" TIN-LEAD ON TERMINATION END,  
15u" GOLD ON CONTACT AREA.
- SHIELD: T=0.25 mm COPPER ZINC ALLOY PLATED WITH NICKEL.
- JACK CAVITY CONFORMS TO FCC RULES AND REGULATIONS PART 68, SUBPART F
- UNSPECIFIED TOLERANCE: XX ±0.25[0.010]  
X ±0.30[0.012]

THIS DRAWING IS A CONTROLLED DOCUMENT.  
DO NOT SCALE DRAWING.

DIMENSIONS: MM  
TOLERANCES UNLESS OTHERWISE SPECIFIED:

THIRD ANGLE PROJECTION

X	±
X.X	± 0.25
X.XX	± 0.13
X.XXX	± 0.05
ANGLES	±

MATERIAL SEE NOTES  
FINISH SEE NOTES

DWN T. LI  
CHK D. Wang  
APVD R. Tsai

DATE OCT-04-2018  
OCT-04-2018  
OCT-04-2018



www.xmultiple.com

TITLE Stacked RJ45 Connectors, With LED, 8P8C, Shielded, Thru Hole, 2 Piece Structure

SIZE A3  
DRAWING NO XRJD-S-24-8-8-1  
WEIGHT - GRAMS Ref.  
REV B  
SHEET 1

REVISIONS	DESCRIPTION	DATE	APVD
△ -			