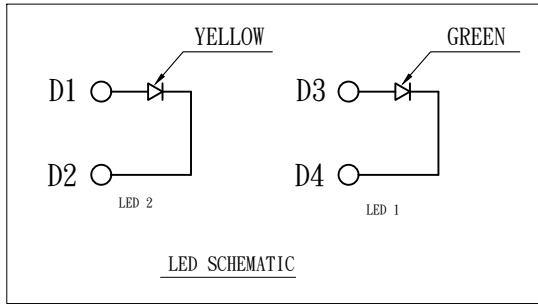
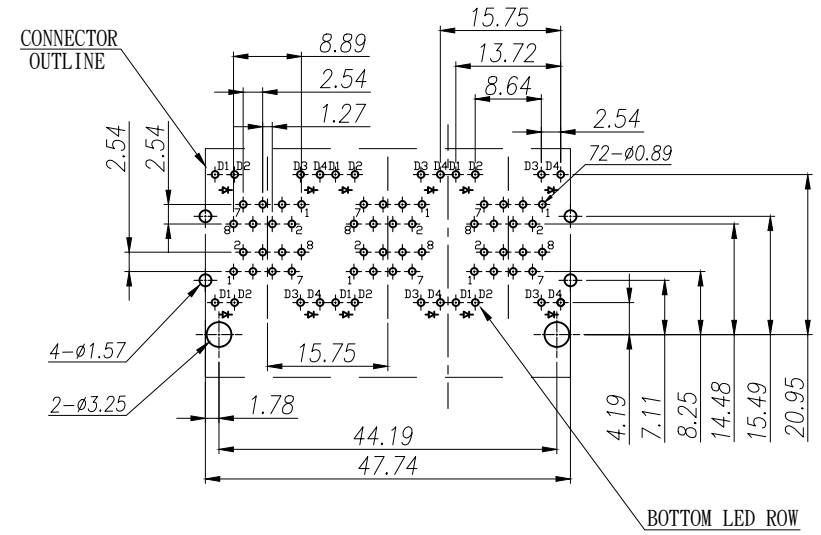
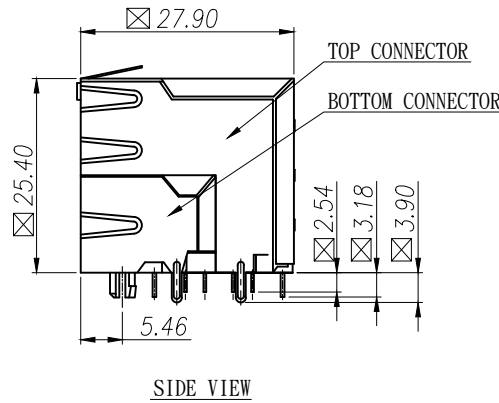
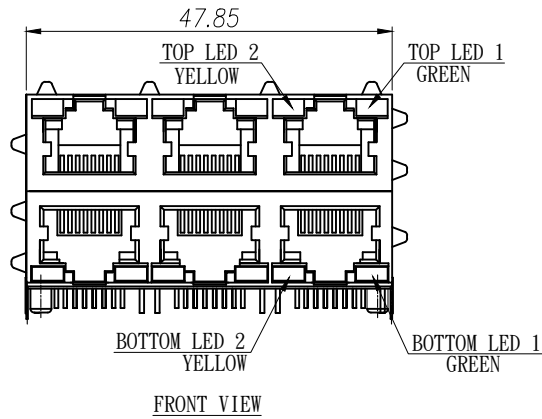


# RoHS Compliance



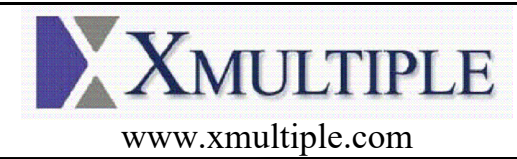
**NOTE:**

1. MATERIAL:  
 HOUSING: PBT THERMOPLASTIC, 30% GLASS FIBER, UL94V-0, BLACK.  
 TERMINAL: PHOSPHOR BRONZE; 0.35mm THICKNESS.  
 SHELL: COPPER ZINC ALLOY; 0.25mm THICKNESS.
2. PLATING:  
 TERMINAL CONTACT AREA PLATING 3u" GOLD  
 SOLDER TAIL: TIN, THICKNESS=100 MICROINCH MIN  
 UNDER PLATE: NICKEL, THICKNESS=50 MICROINCH MIN  
 SHELL: NICKEL, THICKNESS=50 MICROINCH MIN
3. WORKING TEMPERATURE: -40°C ~ +85°C



DIMENSIONAL TOLERANCE: .XX ±0.08

THIS DRAWING IS A CONTROLLED DOCUMENT. DO NOT SCALE DRAWING.			
DIMENSIONS: MM		TOLERANCES UNLESS OTHERWISE SPECIFIED:	
 THIRD ANGLE PROJECTION		X	± -
		X.X	± 0.30
MATERIAL		FINISH	
SEE NOTES		SEE NOTES	
△	-	DWN	A.HUANG
LTR	DESCRIPTION	DATE	OCT-19-2018
		CHK	M.CHANG
		APVD	W.J.YANG
	REVISIONS	DATE	OCT-19-2018



TITLE			
Stacked RJ45 Connectors, W/LED, 8P, 8C Shielded, Thru Hole, 2 Piece Structure			
SIZE	DRAWING NO		
A3	XRJD-S-23-8-8-1		
WEIGHT	- GRAMS Ref.	REV	1 SHEET 1