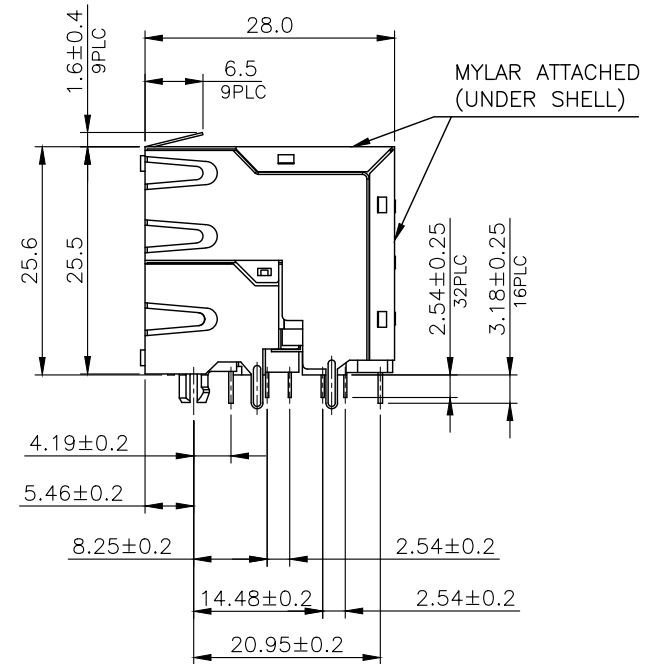
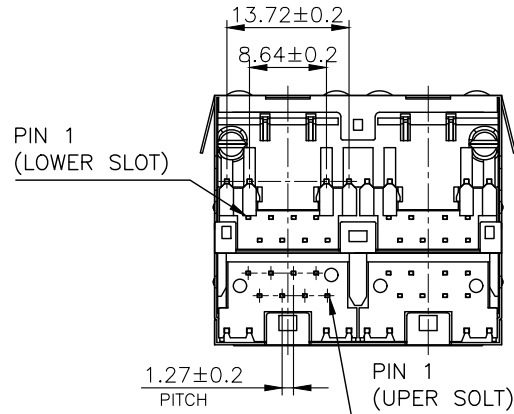
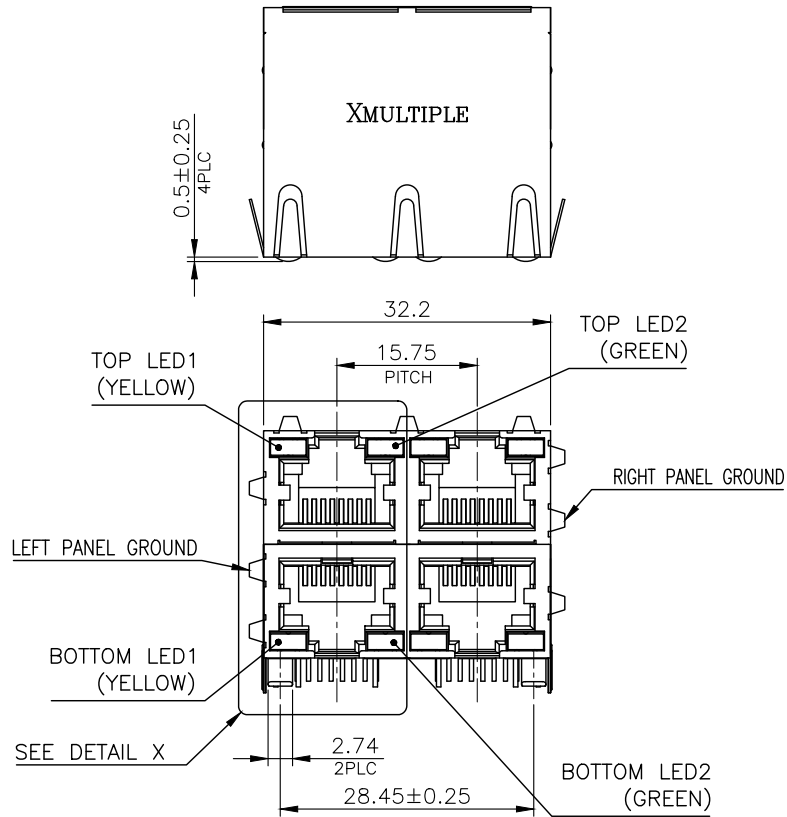
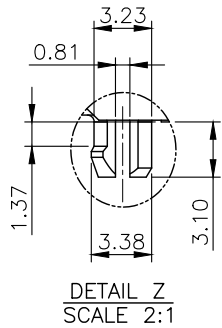
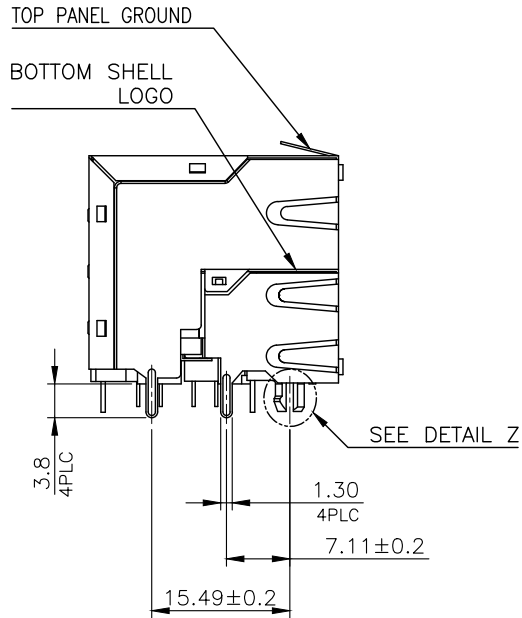


RoHS Compliance



THIS DRAWING IS A CONTROLLED DOCUMENT.
DO NOT SCALE DRAWING.

DIMENSIONS: MM	TOLERANCES UNLESS OTHERWISE SPECIFIED:
	X ± -
	X.X ± 0.25
	X.XX ± 0.13
	X.XXX ± 0.05
THIRD ANGLE PROJECTION	ANGLES ± -



www.xmultiple.com

TITLE STACKED RJ45 CONNECTORS, 2X2,
W/LED & SHELL, THRU HOLE

REVISIONS	DESCRIPTION	DATE	APVD
△ -			
LTR			

MATERIAL	SEE NOTES	FINISH	SEE NOTES
DWN	A.HUANG	DATE	OCT-19-2018
CHK	M.CHANG		OCT-19-2018
APVD	W.J.YANG		OCT-19-2018

SIZE	DRAWING NO	
A3		XRJD-S-22-8-8-1
WEIGHT	- GRAMS Ref.	REV 1 SHEET 1

RoHS Compliance

NOTE:

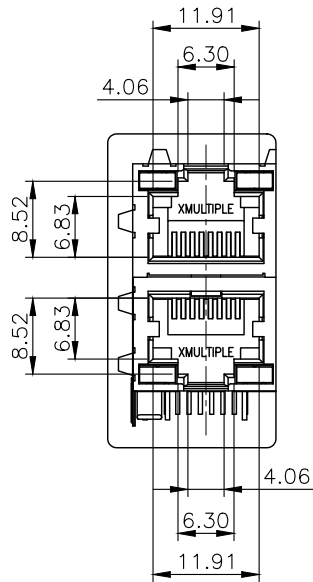
CAVITY CONFIRMS TO FCC RULES AND REGULATIONS PART 68, SUBPART F.

1. MATERIAL:

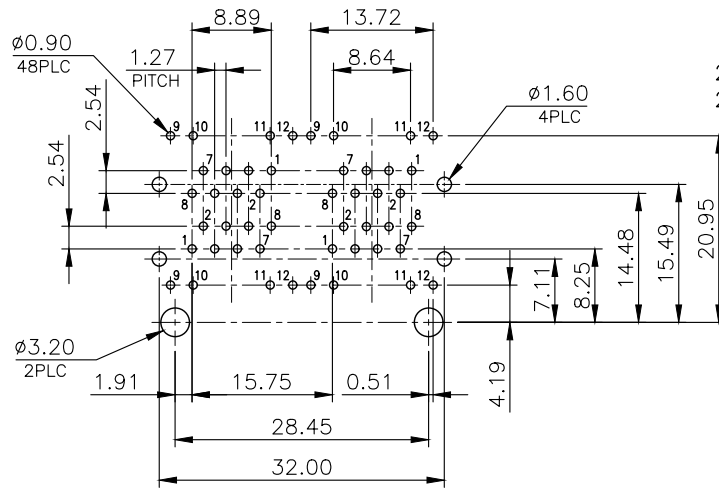
- 1.1 HOUSING: PA46, WITH GLASS FIBER,,
UL94V-0, STANDARD COLOR-BLACK.
- 1.2 INSERT HOUSING: PA46, WITH GLASS FIBER,
UL94V-0, STANDARD COLOR-BLACK.
- 1.3 COVER: PA46, WITH GLASS FIBER,
UL94V-0, STANDARD COLOR-BLACK.
- 1.4 CONTACTS: PHOSPHOR BRONZE.
- 1.5 SHELL: BRASS.
- 1.6 LED SOLDER TAIL: STEEL.

2. FINISH:

- 2.1 CONTACTS: 0.381 μ m [15 μ "] GOLD PLATED ON CONTACT AREA,
2.54 μ m [100 μ "] TIN PLATED ON SOLDER TAIL,
WITH ENTIRE CONTACT UNDERPLATED
1.27 μ m [50 μ "] MIN. NICKEL
- 2.2 SHELL: 0.508 μ m [20 μ "] MIN. NICKEL PLATED.
- 2.3 LED SOLDER TAIL: 2.032 μ m [80 μ "] MIN. TIN PLATED.



DETAIL Z



RECOMMENDED PCB LAYOUT
RECOMMENDED PCB THICKNESS: 1.6mm
TOLERANCE: ± 0.05 (TOP VIEW)

LED CHARACTERISTIC	
NO.	NODE
LED1	9+ \rightarrow ∇ -10
LED2	11+ \rightarrow ∇ -12

THIS DRAWING IS A CONTROLLED DOCUMENT.
DO NOT SCALE DRAWING.

DIMENSIONS: MM	TOLERANCES UNLESS OTHERWISE SPECIFIED:
	X \pm - X.X ± 0.25 X.XX ± 0.13 X.XXX ± 0.05 ANGLES \pm -
THIRD ANGLE PROJECTION	
MATERIAL	FINISH
SEE NOTES	SEE NOTES



TITLE STACKED RJ45 CONNECTORS, 2X2,
W/LED & SHELL, THRU HOLE

LTR	DESCRIPTION	DATE	APVD
REVISIONS			

DWN	A.HUANG	DATE	OCT-19-2018
CHK	M.CHANG		OCT-19-2018
APVD	W.J.YANG		OCT-19-2018

SIZE	DRAWING NO	WEIGHT	REV	SHEET
A3	XRJD-S-22-8-8-1	- GRAMS Ref.	-	2