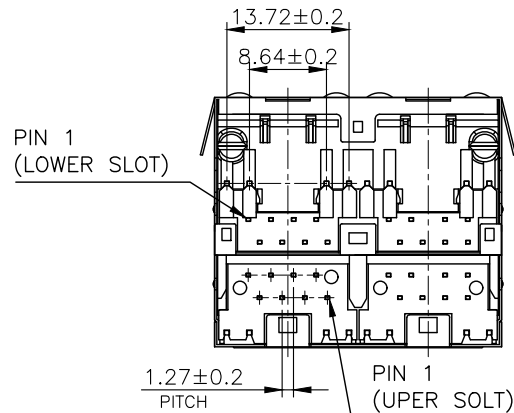
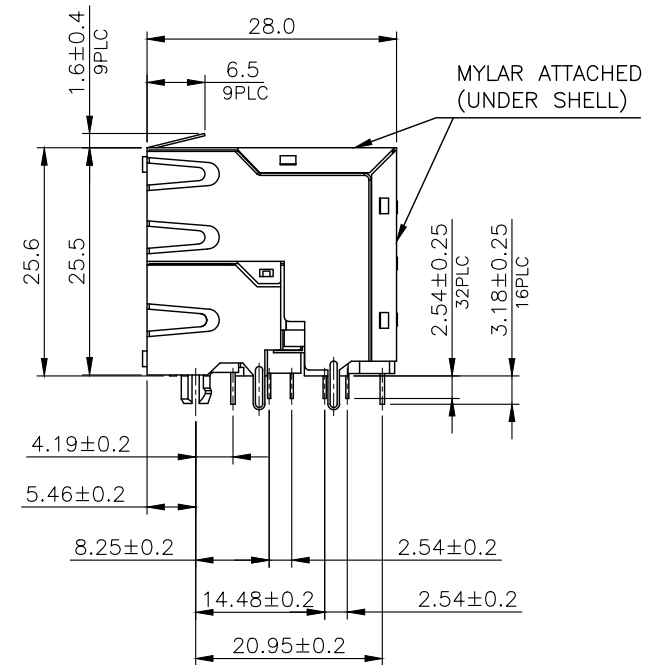
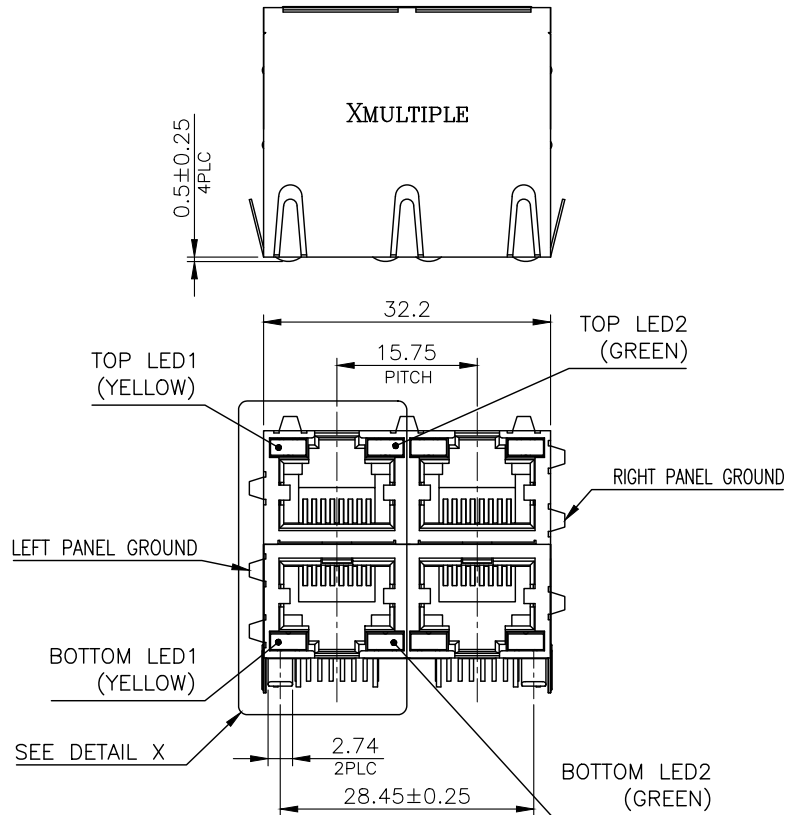
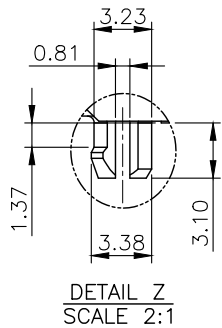
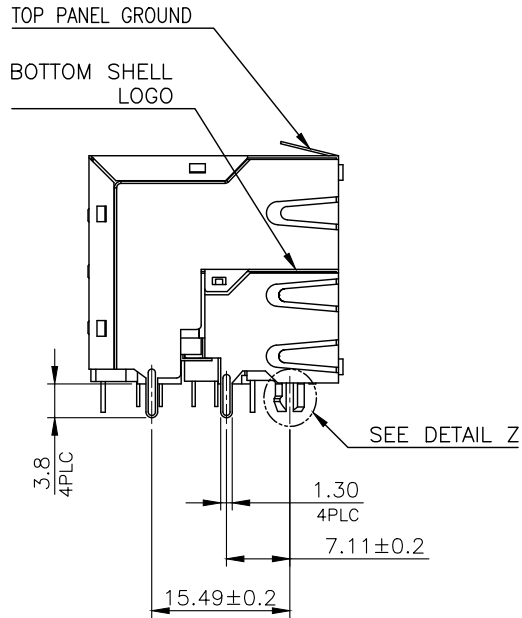


RoHS Compliance



| REVISIONS | DESCRIPTION | DATE | APVD |
|-----------|-------------|------|------|
| △ - | | | |
| LTR | | | |

THIS DRAWING IS A CONTROLLED DOCUMENT.
DO NOT SCALE DRAWING.

| | |
|------------------------|---|
| DIMENSIONS: MM | TOLERANCES UNLESS OTHERWISE SPECIFIED: |
| | X ± - |
| | X.X ± 0.25 |
| | X.XX ± 0.13 |
| | X.XXX ± 0.05 |
| THIRD ANGLE PROJECTION | ANGLES ± - |

| | |
|-----------|-------------|
| MATERIAL | FINISH |
| SEE NOTES | SEE NOTES |
| DWN | DATE |
| A.HUANG | OCT-19-2018 |
| CHK | |
| M.CHANG | OCT-19-2018 |
| APVD | |
| W.J.YANG | OCT-19-2018 |



www.xmultiple.com

TITLE STACKED RJ45 CONNECTORS, 2X2,
W/LED & SHELL, THRU HOLE

| | | |
|--------------|------------------------|-------|
| SIZE | DRAWING NO | |
| A3 | XMD-9850-8811-4-S3L2-A | |
| WEIGHT | REV | SHEET |
| - GRAMS Ref. | 1 | 1 |

RoHS Compliance

NOTE:

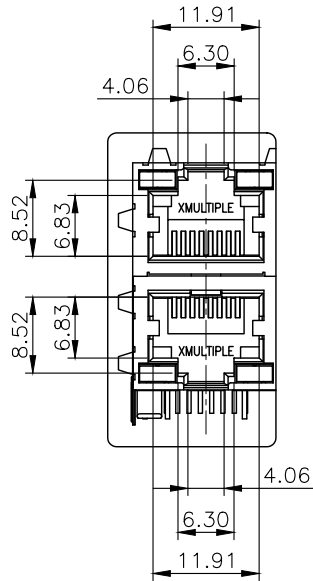
CAVITY CONFIRMS TO FCC RULES AND REGULATIONS PART 68, SUBPART F.

1. MATERIAL:

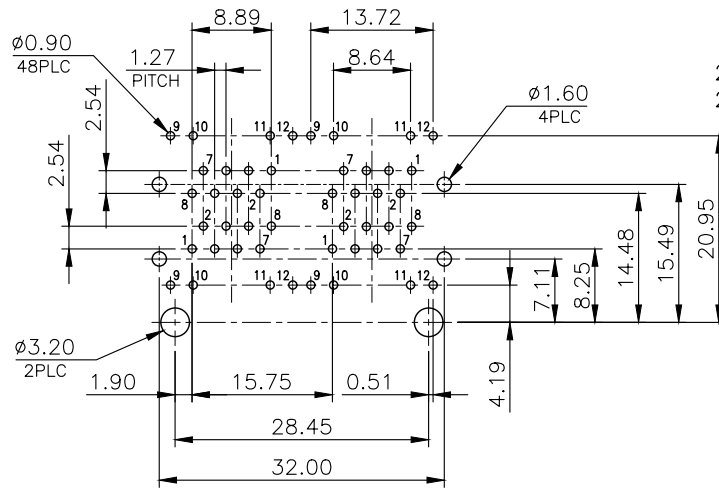
- 1.1 HOUSING: PA46, WITH GLASS FIBER,, UL94V-0, STANDARD COLOR-BLACK.
- 1.2 INSERT HOUSING: PA46, WITH GLASS FIBER, UL94V-0, STANDARD COLOR-BLACK.
- 1.3 COVER: PA46, WITH GLASS FIBER, UL94V-0, STANDARD COLOR-BLACK.
- 1.4 CONTACTS: PHOSPHOR BRONZE.
- 1.5 SHELL: BRASS.
- 1.6 LED SOLDER TAIL: STEEL.

2. FINISH:

- 2.1 CONTACTS: 0.381 μ m [15 μ "] GOLD PLATED ON CONTACT AREA, 2.54 μ m [100 μ "] TIN PLATED ON SOLDER TAIL, WITH ENTIRE CONTACT UNDERPLATED 1.27 μ m [50 μ "] MIN. NICKEL
- 2.2 SHELL: 0.508 μ m [20 μ "] MIN. NICKEL PLATED.
- 2.3 LED SOLDER TAIL: 2.032 μ m [80 μ "] MIN. TIN PLATED.



DETAIL Z



RECOMMENDED PCB LAYOUT
RECOMMENDED PCB THICKNESS: 1.6mm
TOLERANCE: ± 0.05 (TOP VIEW)

| LED CHARACTERISTIC | |
|--------------------|--------------------------------|
| NO. | NODE |
| LED1 | 9+ \rightarrow ∇ -10 |
| LED2 | 11+ \rightarrow ∇ -12 |

THIS DRAWING IS A CONTROLLED DOCUMENT.
DO NOT SCALE DRAWING.

DIMENSIONS: MM
TOLERANCES UNLESS OTHERWISE SPECIFIED:

THIRD ANGLE PROJECTION
MATERIAL: SEE NOTES
FINISH: SEE NOTES

DWN: A.HUANG
CHK: M.CHANG
APVD: W.J.YANG
DATE: OCT-19-2018



www.xmultiple.com

TITLE: STACKED RJ45 CONNECTORS, 2X2, W/LED & SHELL, THRU HOLE

SIZE: A3
DRAWING NO: XMD-9850-8811-4-S3L2-A
WEIGHT: - GRAMS Ref.
REV: -
SHEET: 2

| LTR | DESCRIPTION | DATE | APVD |
|-----------|-------------|------|------|
| REVISIONS | | | |