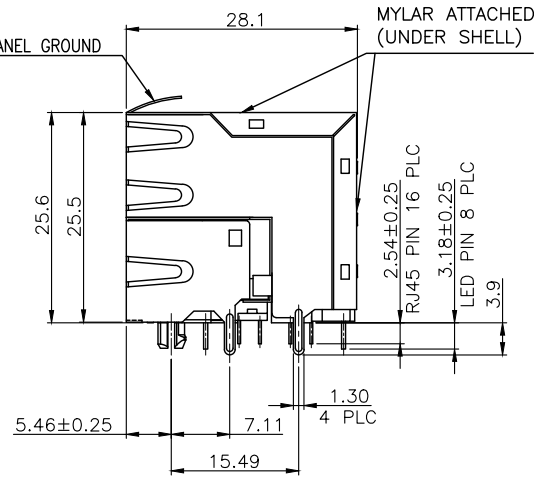
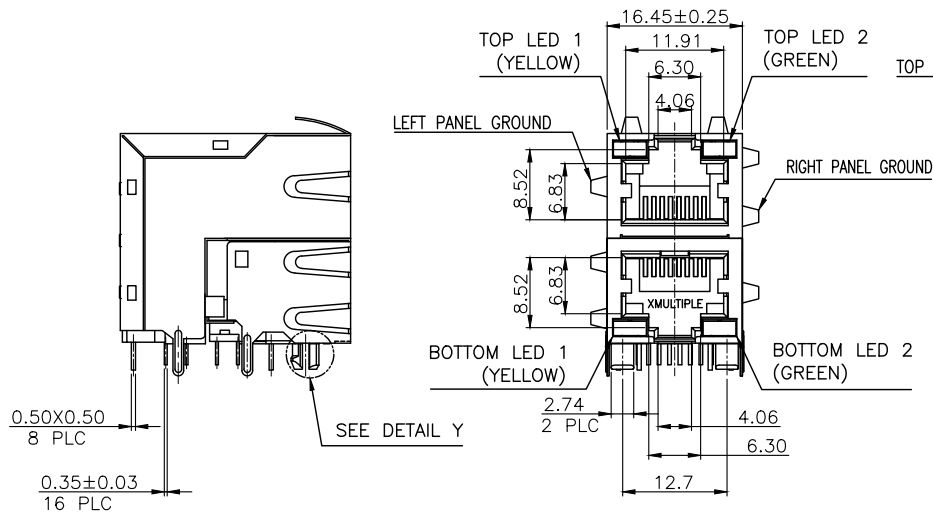
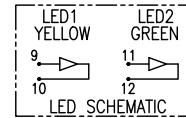
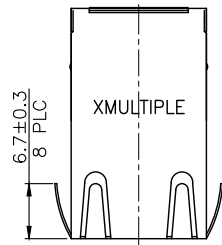
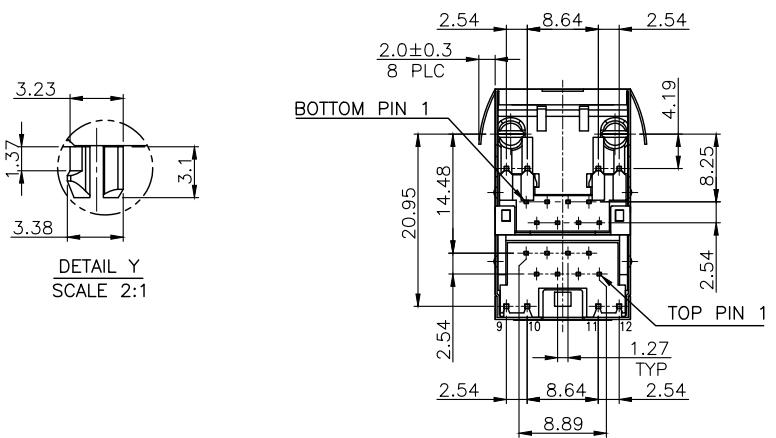
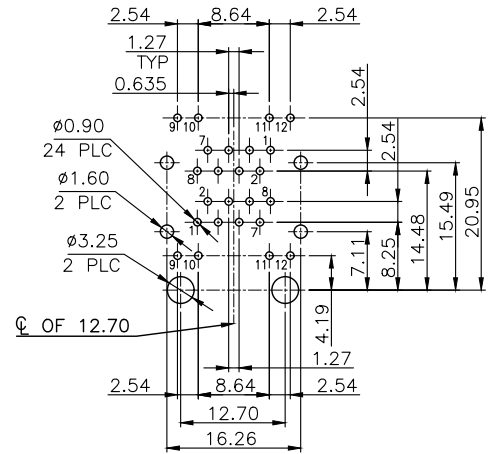


RoHS Compliance



- NOTE:
CAVITY CONFIRMS TO FCC RULES AND REGULATIONS PART 68, SUBPART F.
- MATERIAL:
 - HOUSING: PA46, WITH GLASS FIBER,, UL 94V-0, STANDARD COLOR-BLACK.
 - INSERT HOUSING: PA46, WITH GLASS FIBER, UL 94V-0, STANDARD COLOR-BLACK.
 - CONTACTS: PHOSPHOR BRONZE.
 - SHELL: BRASS.
 - LED SOLDER TAIL: STEEL.
 - FINISH:
 - CONTACTS: $0.381 \mu\text{m}$ [$15 \mu''$] GOLD PLATED ON CONTACT AREA, $2.54 \mu\text{m}$ [$100 \mu''$] TIN PLATED ON SOLDER TAIL, WITH ENTIRE CONTACT UNDERPLATED
 - SHELL: $1.27 \mu\text{m}$ [$50 \mu''$] MIN. NICKEL
 - LED SOLDER TAIL: $2.032 \mu\text{m}$ [$80 \mu''$] MIN. TIN PLATED.



| | |
|---|---|
| THIS DRAWING IS A CONTROLLED DOCUMENT. DO NOT SCALE DRAWING. | |
| DIMENSIONS: MM | TOLERANCES UNLESS OTHERWISE SPECIFIED: |
| | 0 PLC \pm 1 PLC ± 0.25 2 PLC ± 0.20 3 PLC ± 0.15 ANGLES \pm |
| MATERIAL SEE NOTES | FINISH SEE NOTES |
| DWN <i>A.HUANG</i> | DATE APR-15-2015 |
| CHK <i>M.CHANG</i> | APR-15-2015 |
| APVD <i>W.J.YANG</i> | APR-15-2015 |

| | |
|--|--------------------------------------|
| www.xmultiple.com | |
| TITLE STACKED RJ45 CONNECTORS, W/LED, SHIELDED, THRU HOLE, 2 PIECE STRUCTURE | |
| SIZE A3 | DRAWING NO XMD-9850-8811-2-S3L2-A |
| WEIGHT - GRAMS Ref. | REV 5 SHEET 1 |

| LTR | DESCRIPTION | DATE | APVD |
|-----------|-------------|------|------|
| REVISIONS | | | |