

RoHS Compliance

NOTE:

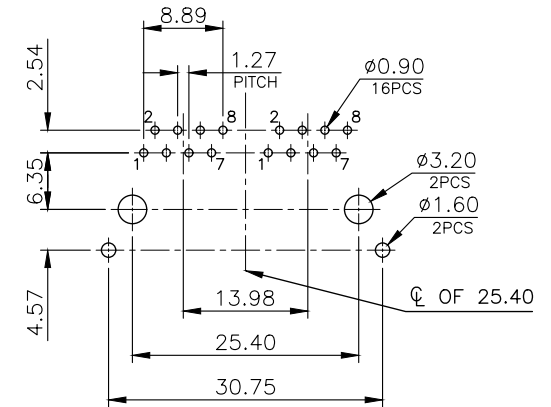
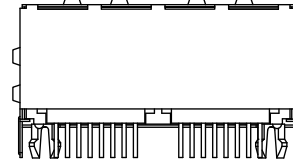
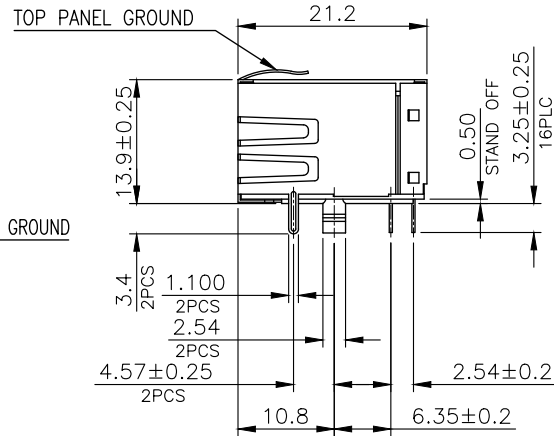
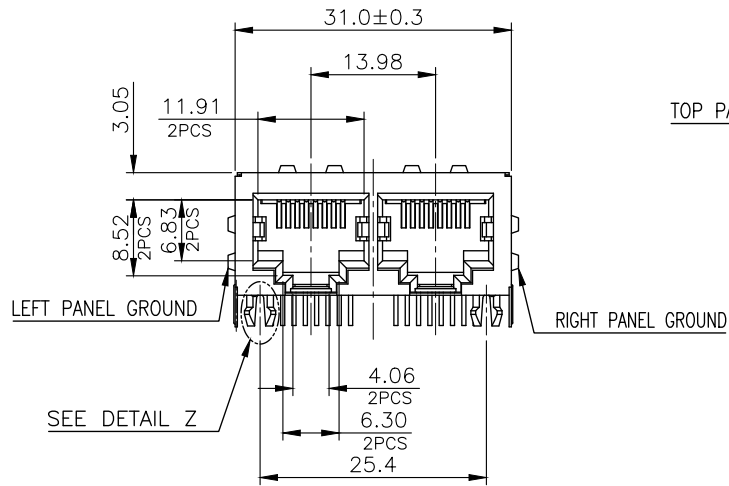
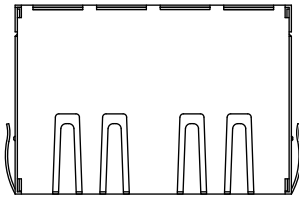
CAVITY CONFIRMS TO FCC RULES AND REGULATIONS PART 68, SUBPART F.

1. MATERIAL:

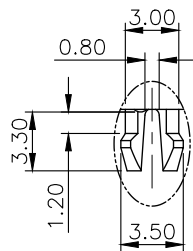
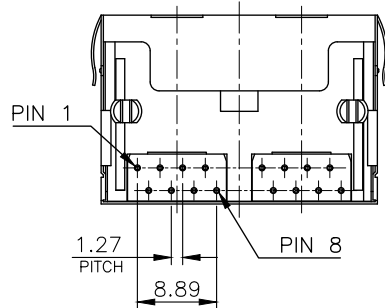
- 1.1 HOUSING: PBT, WITH GLASS FIBER, UL94V-0, STANDARD COLOR-BLACK.
- 1.2 INSERT HOUSING: PBT, WITH GLASS FIBER, UL94V-0, STANDARD COLOR-BLACK.
- 1.3 INSERT COVER: PBT, WITH GLASS FIBER, UL94V-0, STANDARD COLOR-BLACK.
- 1.4 CONTACTS: PHOSPHOR BRONZE.
- 1.5 SHELL: BRASS.

2. FINISH:

- 2.1 CONTACTS: 0.381 μ m [15 μ "] GOLD PLATED ON CONTACT AREA, GOLD FLASH ON SOLDER TAIL, 1.27 μ m [50 μ "] MIN. NICKEL UNDERPLATED OVERALL.
- 2.2 SHELL: 0.508 μ m [20 μ "] MIN. NICKEL PLATED.



RECOMMENDED PCB LAYOUT
PCB THICKNESS: 1.6mm
TOLERANCE: ±0.05mm (TOP VIEW)



DETAIL Z
SCALE 2:1

THIS DRAWING IS A CONTROLLED DOCUMENT. DO NOT SCALE DRAWING.	
DIMENSIONS: MM	TOLERANCES UNLESS OTHERWISE SPECIFIED:
	X ± - X.X ± 0.25 X.XX ± 0.13 X.XXX ± 0.05 ANGLES ± -
THIRD ANGLE PROJECTION	
MATERIAL SEE NOTES	FINISH SEE NOTES
DWN T. Li	DATE APR-06-2016
CHK D. Wang	APR-06-2016
APVD R. Tsai	APR-07-2016



www.xmultiple.com

TITLE
2PORTS, RJ45, FLAT PIN,
WITH SHELL, SIDE ENTRY PCB GANGED JACK

△	-	-	-
LTR	DESCRIPTION	DATE	APVD
REVISIONS			

SIZE A3	DRAWING NO XRJK-S-02-8-8-0-9H1
WEIGHT - GRAMS Ref.	REV 1 SHEET 1