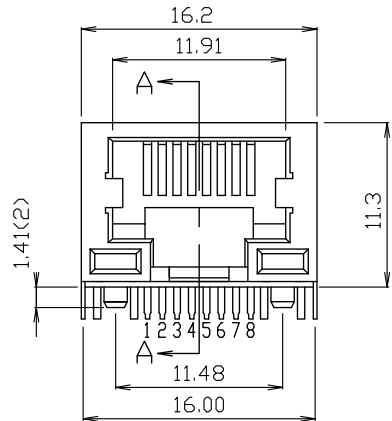
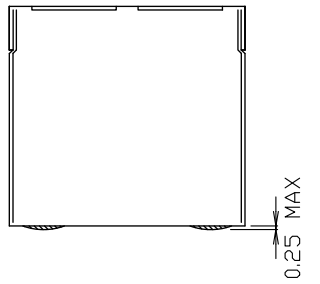


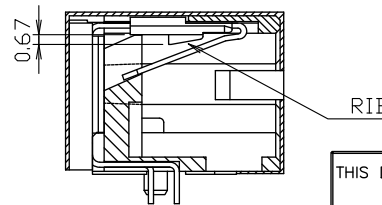
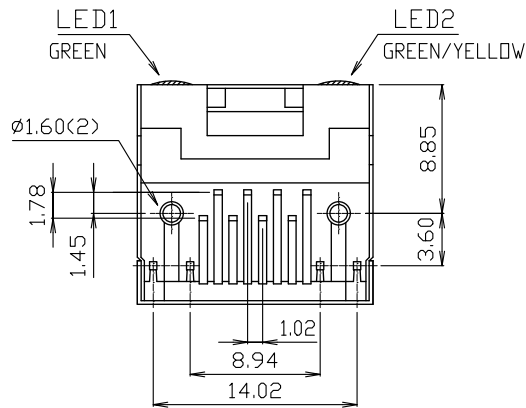
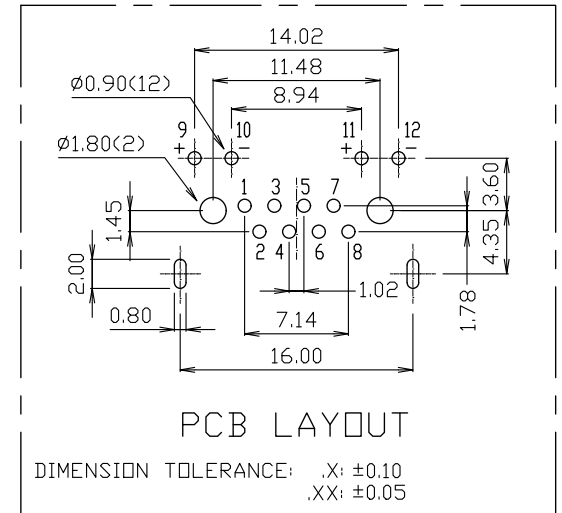
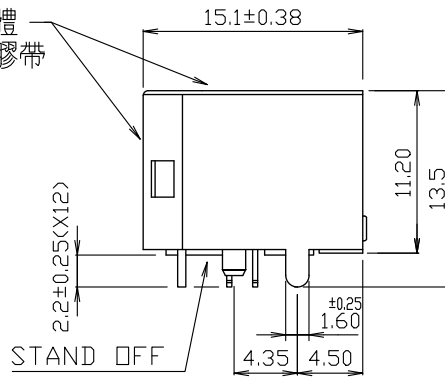
RoHS Compliance

MATERIAL:

- HOUSING-DSM STANYL TE250F6 (NYLON-46)
HEAT DEFLECTION TEMP.290°
BLACK COLOR, UL94V-0.
 - CONTACTS-0.35mm THICK PHOS-BRONZE PLATED
WITH 6u" HARD GOLD AND GOLD FLASH ON
SOLDER AREA.
 - SHIELD-0.25mm THICK COPPER ALLOY,
PLATED WITH NICKEL.
- CAVITY CONFIRMS TO FCC RULES AND REGULATIONS
PART 68,SUBPART F.



鐵殼與塑膠體
之間必須貼膠帶



SEC A-A

THIS DRAWING IS A CONTROLLED DOCUMENT.
DO NOT SCALE DRAWING.

DIMENSIONS: MM	TOLERANCES UNLESS OTHERWISE SPECIFIED:
	X ± - X.X ± 0.38 X.XX ± 0.25 X.XXX ± - ANGLES ± -
THIRD ANGLE PROJECTION	
MATERIAL SEE NOTES	FINISH SEE NOTES



www.xmultiple.com

TITLE
RJ45 RECEPTACLE CONNECTOR

REVISIONS	DESCRIPTION	DATE	APVD
△ -			
LTR			

DWN	T. Li	DATE	OCT-04-2018
CHK	D. Wang		OCT-04-2018
APVD	R. Tsai		OCT-04-2018

SIZE	DRAWING NO	WEIGHT	REV	SHEET
A3	XRJK-S-01-8-8-D-9N4	- GRAMS Ref.	17	1