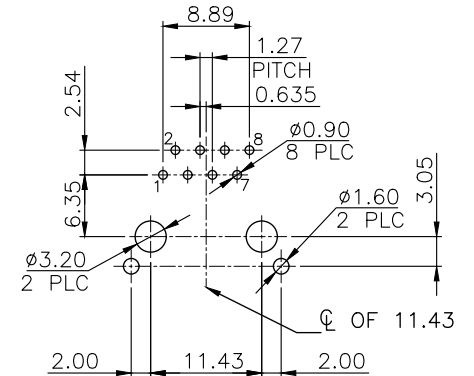
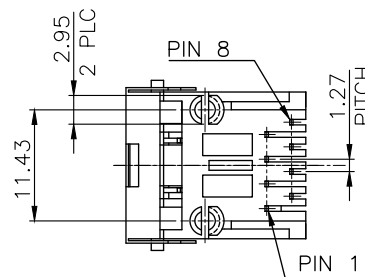
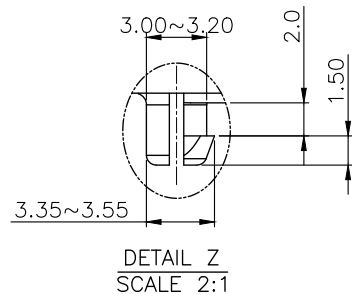
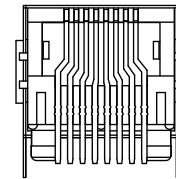
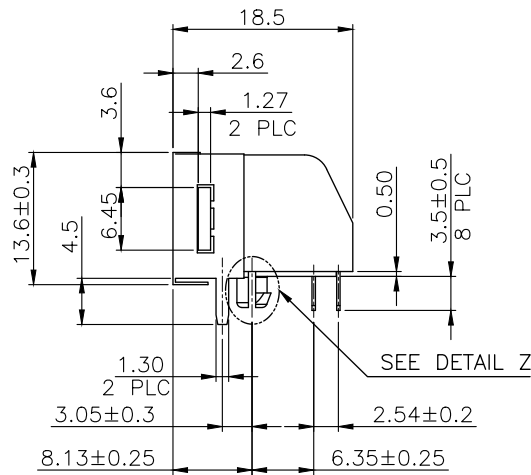
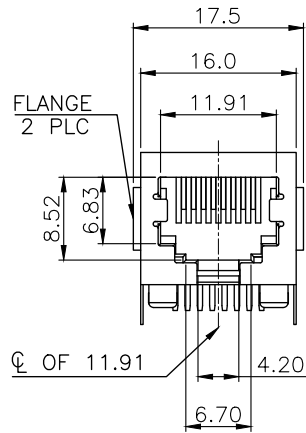


RoHS Compliance

NOTE:

CAVITY CONFIRMS TO FCC RULES AND REGULATIONS PART 68, SUBPART F.

- MATERIAL:
HOUSING: PBT, WITH GLASS FIBER,
UL 94V-0, STANDARD COLOR-BLACK.
CONTACTS: PHOSPHOR BRONZE.
SHELL: BRASS.
- FINISH:
CONTACTS: 0.152 μ m [6 μ "] GOLD PLATED ON CONTACT AREA,
GOLD FLASH PLATED ON SOLDER TAIL,
WITH ENTIRE CONTACT UNDERPLATED
1.27 μ m [50 μ "] MIN. NICKEL
SHELL: 0.508 μ m [20 μ "] MIN. NICKEL PLATED.



RECOMMENDED PCB LAYOUT
RECOMMENDED PCB THICKNESS: 1.6mm
TOLERANCE: ± 0.05 (TOP VIEW)

THIS DRAWING IS A CONTROLLED DOCUMENT.
DO NOT SCALE DRAWING.

DIMENSIONS: MM
TOLERANCES UNLESS OTHERWISE SPECIFIED:

THIRD ANGLE PROJECTION
MATERIAL: SEE NOTES
FINISH: SEE NOTES

DWN: T. Li
CHK: D. Wag
APVD: R. Tsai
DATE: JAN-10-2012
DATE: JAN-10-2012
DATE: JAN-11-2012



www.xmultiple.com

TITLE: RJ45, DIP, WITH SHELL,
LOW PROFILE, SIDE ENTRY PCB JACK

SIZE: A3
DRAWING NO: XRJK-S-01-8-8-0-1T4
WEIGHT: - GRAMS Ref.
REV: 12
SHEET: 1

LTR	DESCRIPTION	DATE	APVD
REVISIONS			