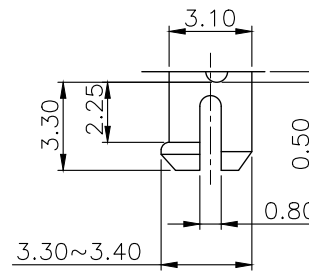
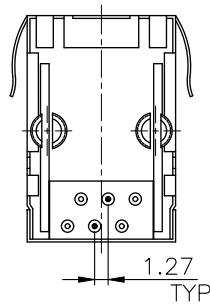
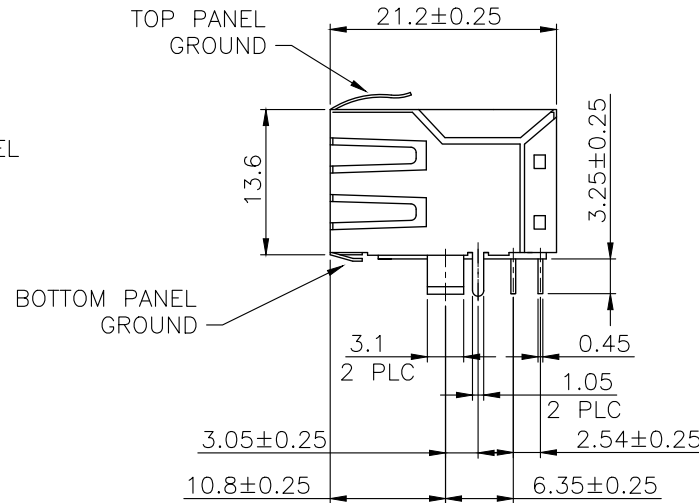
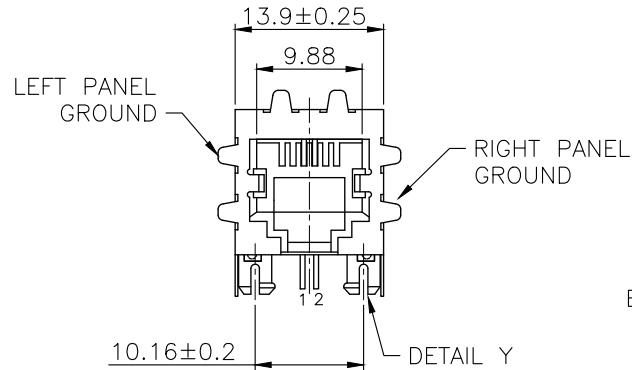


# RoHS Compliance

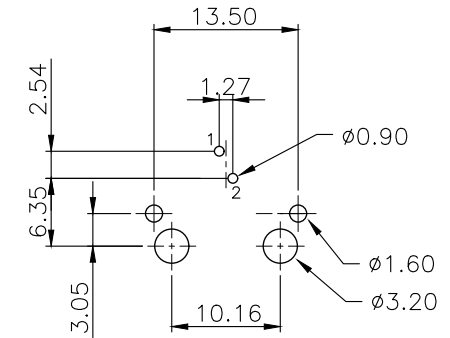
## MATERIAL:

- HOUSING—PBT POLYESTER UL94V-0 MIXED GLASS FIBER. STANDARD COLOR—BLACK
- CONTACTS —0.45mm DIA. PHOS-BRONZE PLATED WITH 15u" HARD GOLD.
- SHIELD—0.25mm THICK COPPER ALLOY, PLATED WITH NICKEL.

CAVITY CONFIRMS TO FCC RULES AND REGULATIONS



DETAIL Y



PC Board Layout Ref.

THIS DRAWING IS A CONTROLLED DOCUMENT.  
DO NOT SCALE DRAWING.

DIMENSIONS: MM TOLERANCES UNLESS OTHERWISE SPECIFIED:

THIRD ANGLE PROJECTION

MATERIAL SEE NOTES FINISH SEE NOTES

DWN T. LI DATE OCT-04-2018

CHK D. Wang OCT-04-2018

APVD R. Tsai OCT-04-2018



www.xmultiple.com

TITLE 6POSITION SHIELDED S-P.G.  
ROUND PIN SIDE ENTRY PCB JACK

REVISIONS	DESCRIPTION	DATE	APVD
△ -	-	-	-

SIZE A3	DRAWING NO XRJK-S-01-6-2-0-9Z1
WEIGHT - GRAMS Ref.	REV 1 SHEET 1