

RoHS Compliance

NOTE:

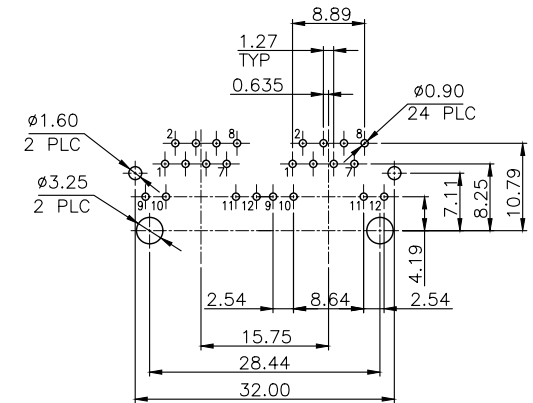
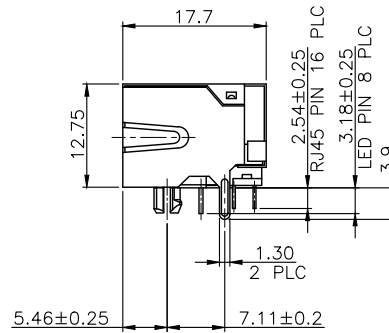
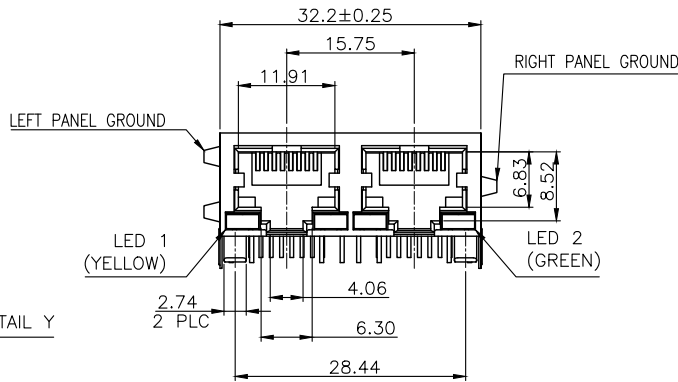
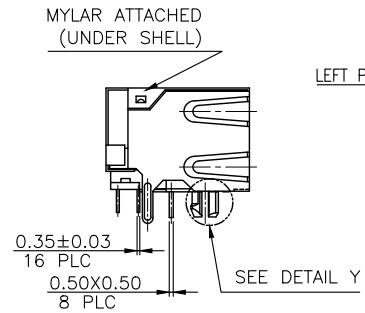
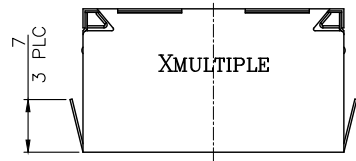
CAVITY CONFIRMS TO FCC RULES AND REGULATIONS PART 68, SUBPART F.

1. MATERIAL:

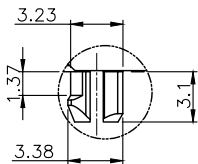
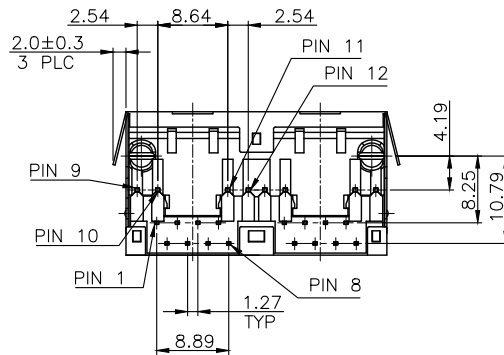
HOUSING: PA46, WITH GLASS FIBER,,
 UL 94V-0, STANDARD COLOR-BLACK.
 INSERT HOUSING: PA46, WITH GLASS FIBER,
 UL 94V-0, STANDARD COLOR-BLACK.
 CONTACTS: PHOSPHOR BRONZE.
 SHELL: BRASS.
 LED SOLDER TAIL: STEEL.
 MYLAR: SILICONE POLYMER.

2. FINISH:

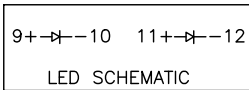
CONTACTS: 0.381μm [15μ"] GOLD PLATED ON CONTACT AREA,
 2.54μm [100μ"] TIN PLATED ON SOLDER TAIL,
 WITH ENTIRE CONTACT UNDERPLATED
 1.27μm [50μ"] MIN. NICKEL
 SHELL: 0.508μm [20μ"] MIN. NICKEL PLATED.
 LED SOLDER TAIL: 2.159μm [85μ"] MIN. TIN PLATED.



RECOMMENDED PCB LAYOUT
 RECOMMENDED PCB THICKNESS: 1.6mm
 TOLERANCE: ±0.05 (TOP VIEW)



DETAIL Y
 SCALE 2:1



THIS DRAWING IS A CONTROLLED DOCUMENT. DO NOT SCALE DRAWING.	
DIMENSIONS: MM	TOLERANCES UNLESS OTHERWISE SPECIFIED:
	0 PLC ± - 1 PLC ± 0.25 2 PLC ± 0.13 3 PLC ± 0.05 ANGLES ± -
MATERIAL SEE NOTES	FINISH SEE NOTES
DWN <i>A.HUANG</i>	DATE MAY-03-2016
CHK <i>M.CHANG</i>	MAY-03-2016
APVD <i>W.J.YANG</i>	MAY-03-2016



TITLE
 STACKED RJ45 BOTTOM PART CONNECTOR,
 W/LED'S, SHIELDED, THRU HOLE

SIZE A3	DRAWING NO XRJDB-S-02-8-8-1
WEIGHT - GRAMS Ref.	REV 2 SHEET 1

LTR	DESCRIPTION	DATE	APVD
REVISIONS			