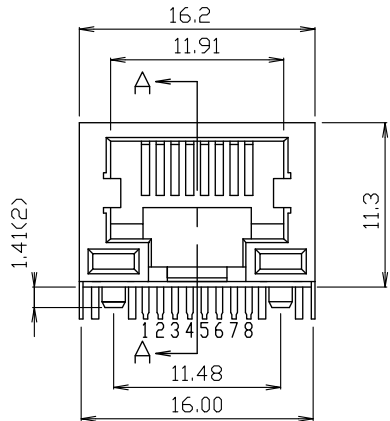
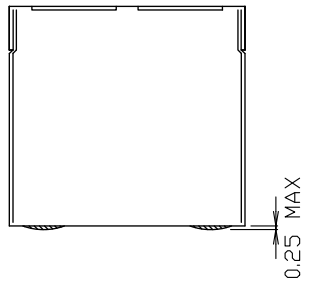


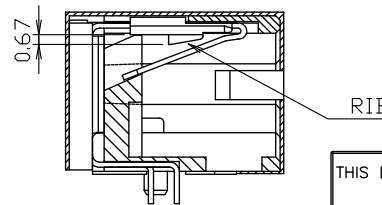
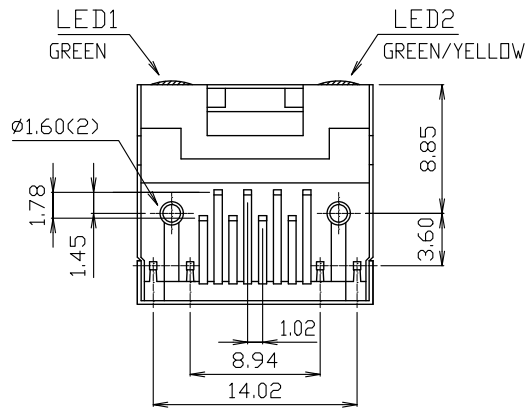
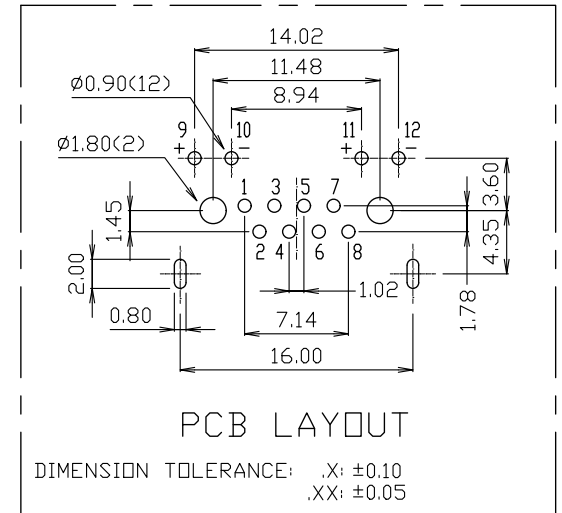
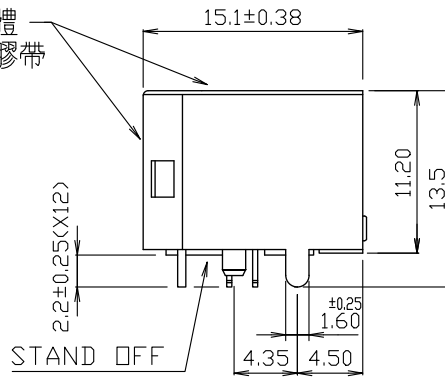
# RoHS Compliance

MATERIAL:

- HOUSING-DSM STANYL TE250F6 (NYLON-46)  
HEAT DEFLECTION TEMP.290°  
BLACK COLOR, UL94V-0.
  - CONTACTS-0.35mm THICK PHOS-BRONZE PLATED  
WITH 6u" HARD GOLD AND GOLD FLASH ON  
SOLDER AREA.
  - SHIELD-0.25mm THICK COPPER ALLOY,  
PLATED WITH NICKEL.
- CAVITY CONFIRMS TO FCC RULES AND REGULATIONS  
PART 68,SUBPART F.



鐵殼與塑膠體  
之間必須貼膠帶



SEC A-A

THIS DRAWING IS A CONTROLLED DOCUMENT.  
DO NOT SCALE DRAWING.

DIMENSIONS: MM	TOLERANCES UNLESS OTHERWISE SPECIFIED:
	X ± - X.X ± 0.38 X.XX ± 0.25 X.XXX ± - ANGLES ± -
THIRD ANGLE PROJECTION	
MATERIAL SEE NOTES	FINISH SEE NOTES



www.xmultiple.com

TITLE  
RJ45 RECEPTACLE CONNECTOR

REVISIONS	DESCRIPTION	DATE	APVD
△ -			
LTR			

DWN	T. Li	DATE	OCT-04-2018
CHK	D. Wang		OCT-04-2018
APVD	R. Tsai		OCT-04-2018

SIZE	DRAWING NO
A3	XMK-9758-8814-S3LF-H
WEIGHT	- GRAMS Ref.
REV	17
SHEET	1