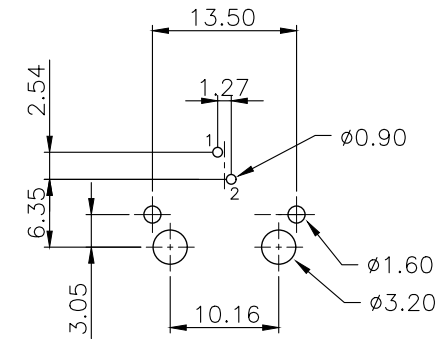
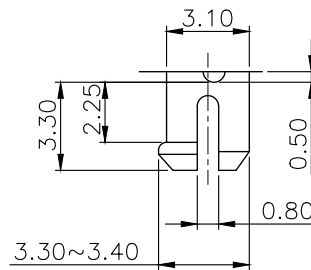
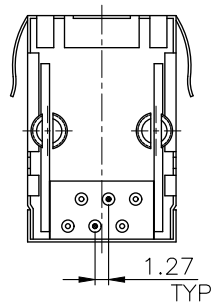
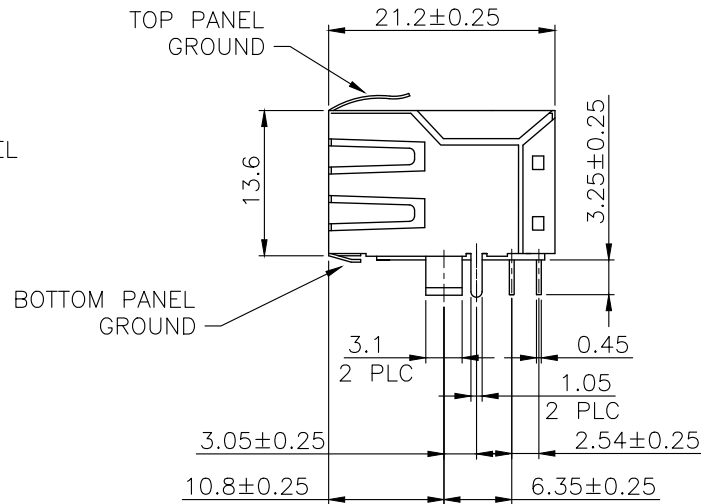
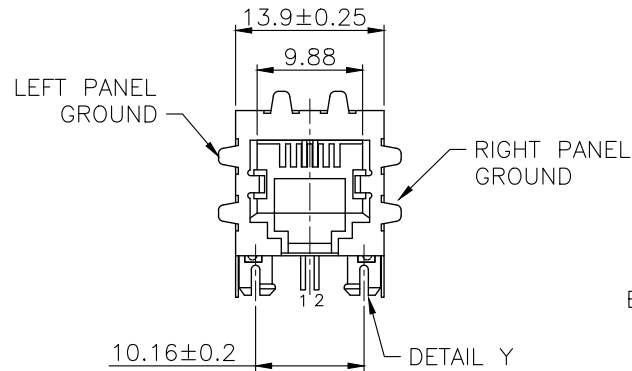


RoHS Compliance

MATERIAL:

- HOUSING—PBT POLYESTER UL94V-0 MIXED GLASS FIBER. STANDARD COLOR—BLACK
- CONTACTS —0.45mm DIA. PHOS-BRONZE PLATED WITH 15u" HARD GOLD.
- SHIELD—0.25mm THICK COPPER ALLOY, PLATED WITH NICKEL.

CAVITY CONFIRMS TO FCC RULES AND REGULATIONS



PC Board Layout Ref.

DETAIL Y

THIS DRAWING IS A CONTROLLED DOCUMENT.
DO NOT SCALE DRAWING.

DIMENSIONS: MM TOLERANCES UNLESS OTHERWISE SPECIFIED:

THIRD ANGLE PROJECTION

MATERIAL SEE NOTES FINISH SEE NOTES

DWN T. LI DATE OCT-04-2018
CHK D. Wang OCT-04-2018
APVD R. Tsai OCT-04-2018



www.xmultiple.com

TITLE 6POSITION SHIELDED S-P.G.
ROUND PIN SIDE ENTRY PCB JACK

REVISIONS	DESCRIPTION	DATE	APVD
△ -			

SIZE	DRAWING NO	WEIGHT	REV	SHEET
A3	XMK-9741-6211-130D-B	- GRAMS Ref.	1	1